



The Choice of Experience

CATALOG OF
REPLACEMENT PARTS

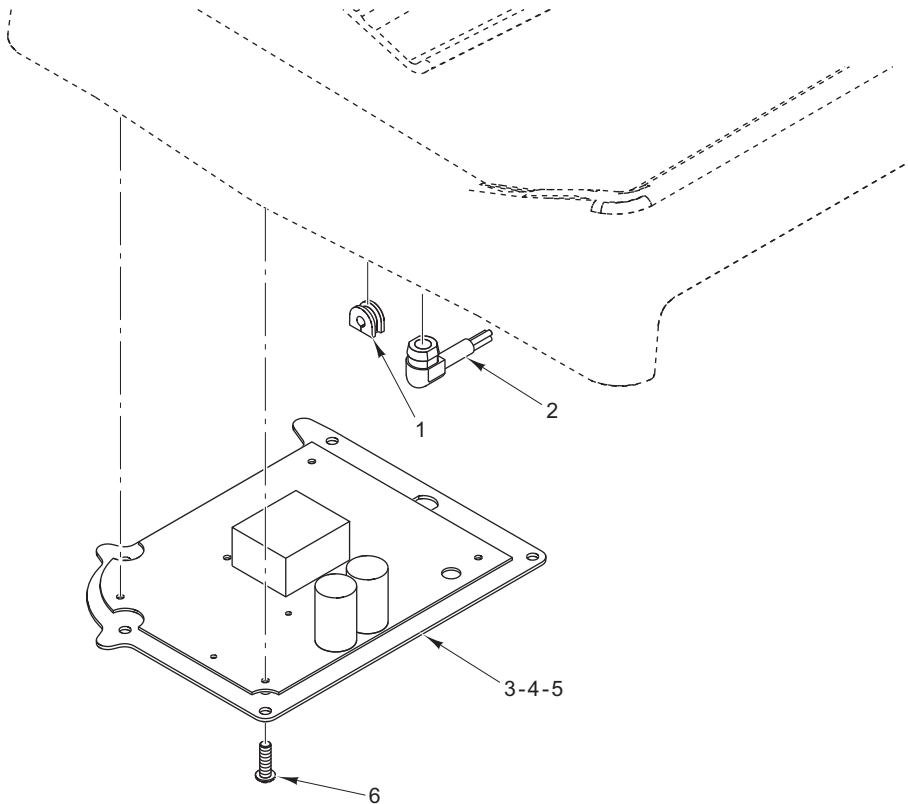


MODEL
X13 SLICER

EFFECTIVE MAY 2009

Table of Contents

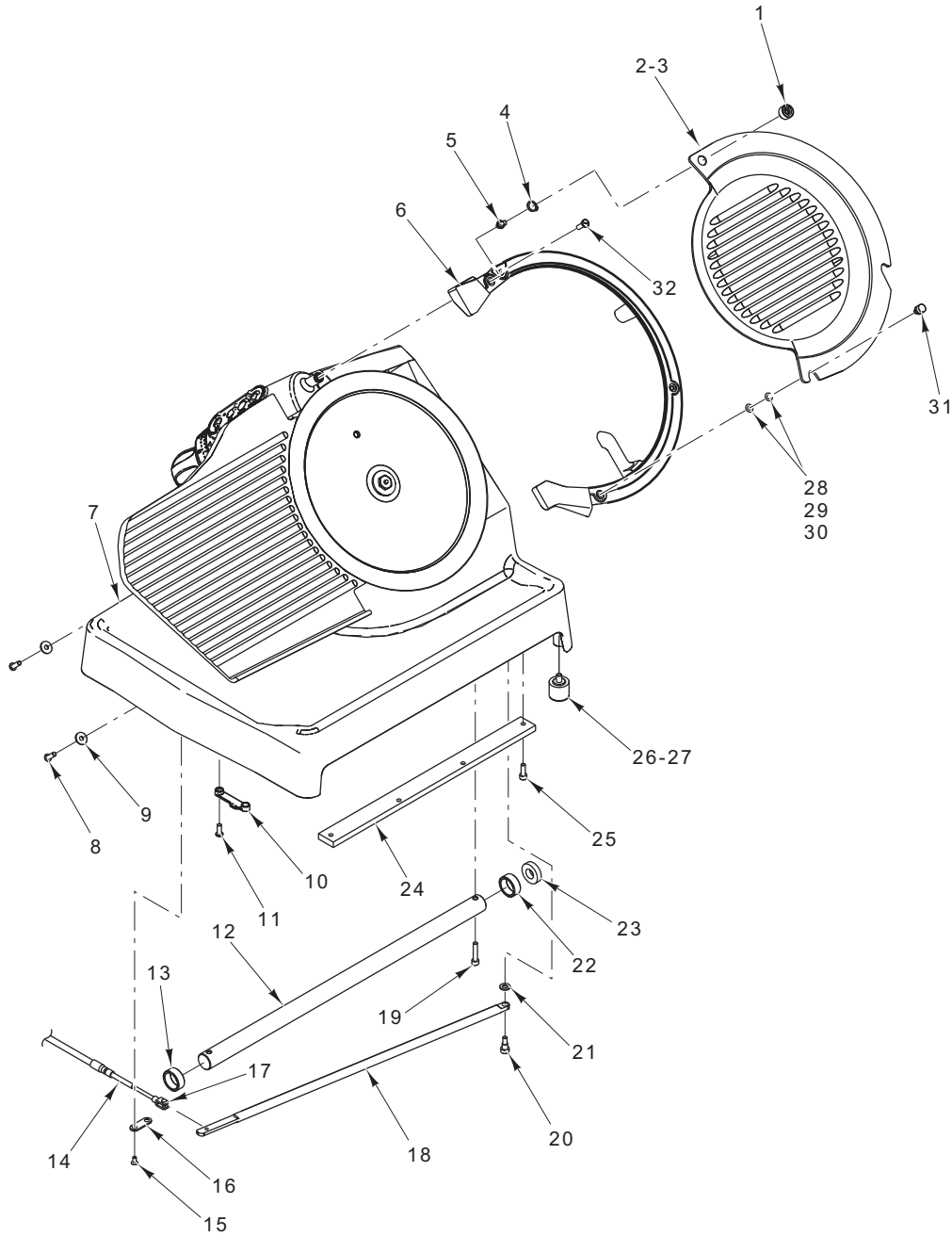
3	ELECTRICAL COMPONENTS
5	RING GUARD AND CENTER PLATE
7	ARM ASSEMBLY
9	GAUGE PLATE ASSEMBLY
10	PRODUCT TABLE
11	KNIFE AND MOTOR ASSEMBLY
13	AUTODRIVE ASSEMBLY
15	KNIFE SHARPENER UNIT
16	KICKSTAND ASSEMBLY



PL-58977

ELECTRICAL COMPONENTS

ILLUS.	PART NO.	NAME OF PART	AMT.
PL-58977			
1	01-403875-00234	Grommet – Electric Enclosure	1
2	01-404175-00719	Cord – Power (120 V.)	1
3	01-404875-00046	PCB Assy. – Main Board (Automatic) (120 V.) (Incls. Items 2 & 5).....	1
4	01-404875-00047	PCB Assy. (Manual) (Incls. Items 2 & 5).....	1
5	01-402675-00752	Circuit Breaker (12 Amp., 120 V.)	1
6	01-402175-02854	Cap Screw M5 x 10mm Button Socket Hd.	3
	01-404175-00730	Harness – Timer	1

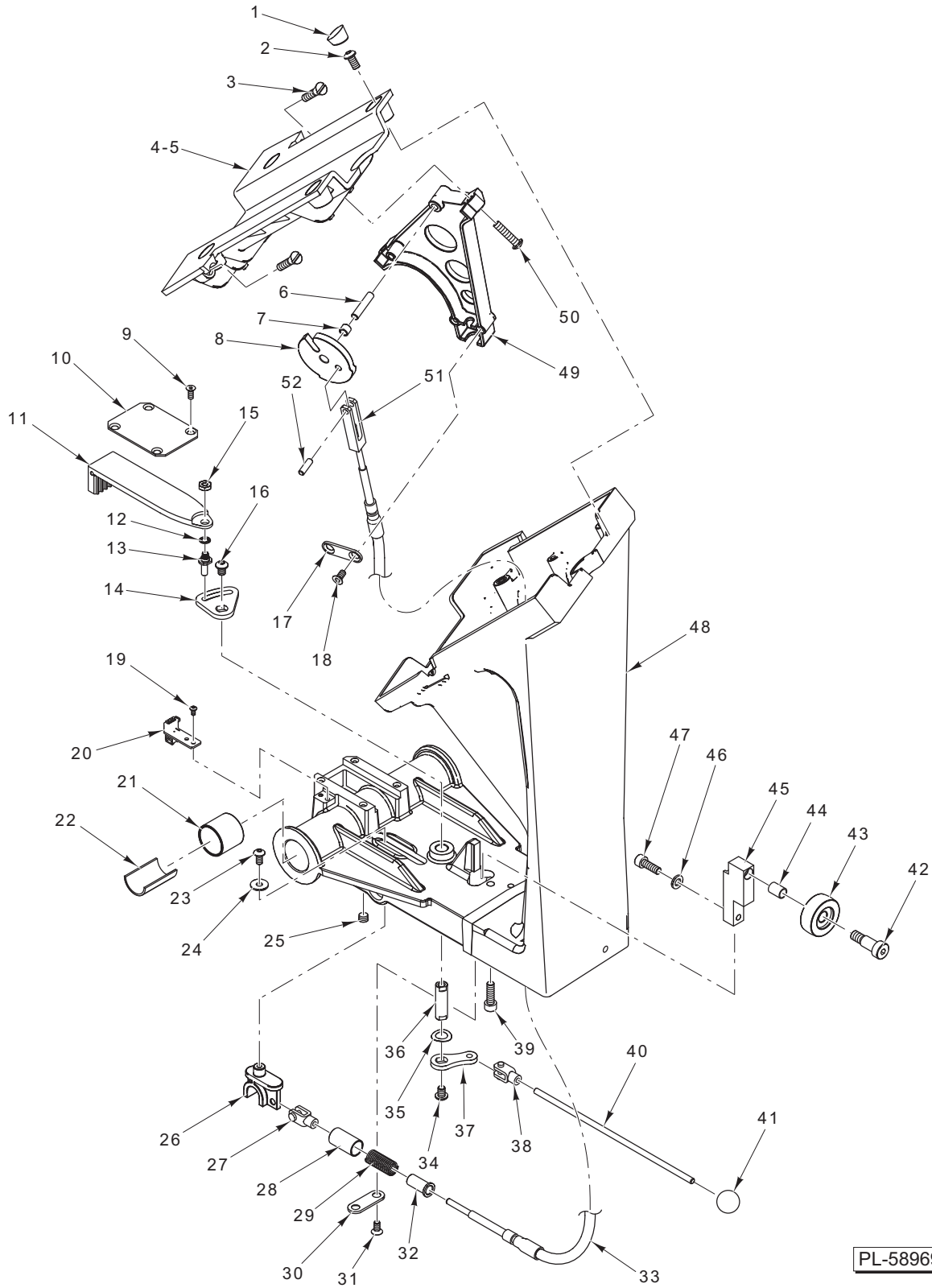


PL-58968

RING GUARD AND CENTER PLATE

RING GUARD AND CENTER PLATE

ILLUS.	PART NO.	NAME OF PART	AMT.
	PL-58968		
1	01-403375-01392	Knob	1
2	01-404675-01144	Center Plate Assy. (Incls. Items 1, 3, & 4).....	1
3	01-403775-00499	Center Plate – Solid.....	1
4	01-402275-00608	Ring – Retaining	1
5	01-403375-01391	Stud – Post	1
6	01-403775-00497	Ring Guard	1
7	01-403875-00171	Base.....	1
8	01-402175-02867	Screw M6 x 18mm Button Socket Hd. (For Ring Guard).....	2
9	01-402275-00586	Washer.....	2
10	01-403875-00183	Guide – Interlock Slide Bar	1
11	01-402175-02866	Cap Screw M6 x 16mm Button Socket Hd. (SST).....	2
12	01-403375-01306	Rail – Round	1
13	01-403275-00233	Bumper – Transport Rail.....	1
14	01-402375-00175	Cable – Interlock Base Assy.	1
15	01-402175-02934	Cap Screw Flat Socket Hd.....	2
16	01-403375-01286	Clamp – Interlock Assy.....	1
17	01-402375-00184	Clevis – Stock	1
18	01-403375-01275	Slide – Bar Interlock.....	1
19	01-402175-02861	Screw M6 x 6mm Button Socket Hd.	2
20	01-402175-00503	Shoulder Bolt	1
21	01-402275-00588	Washer.....	1
22	01-403275-00243	Bumper – Rubber	1
23	01-402275-00629	Washer – Bumper	1
24	01-403375-01278	Rail – Square	1
25	01-402175-02743	Cap Screw M6 x 14mm	4
26	01-403875-00239	Foot.....	4
27	01-403875-00249	Foot (Suction)	4
28	01-403275-00237	Shim (1.0mm)	AR
29	01-403275-00238	Shim (0.5mm)	AR
30	01-403275-00241	Shim (0.3mm)	AR
31	01-403375-01388	Shoulder Stud.....	2
32	01-402175-00529	Screw Flat Hd.	1

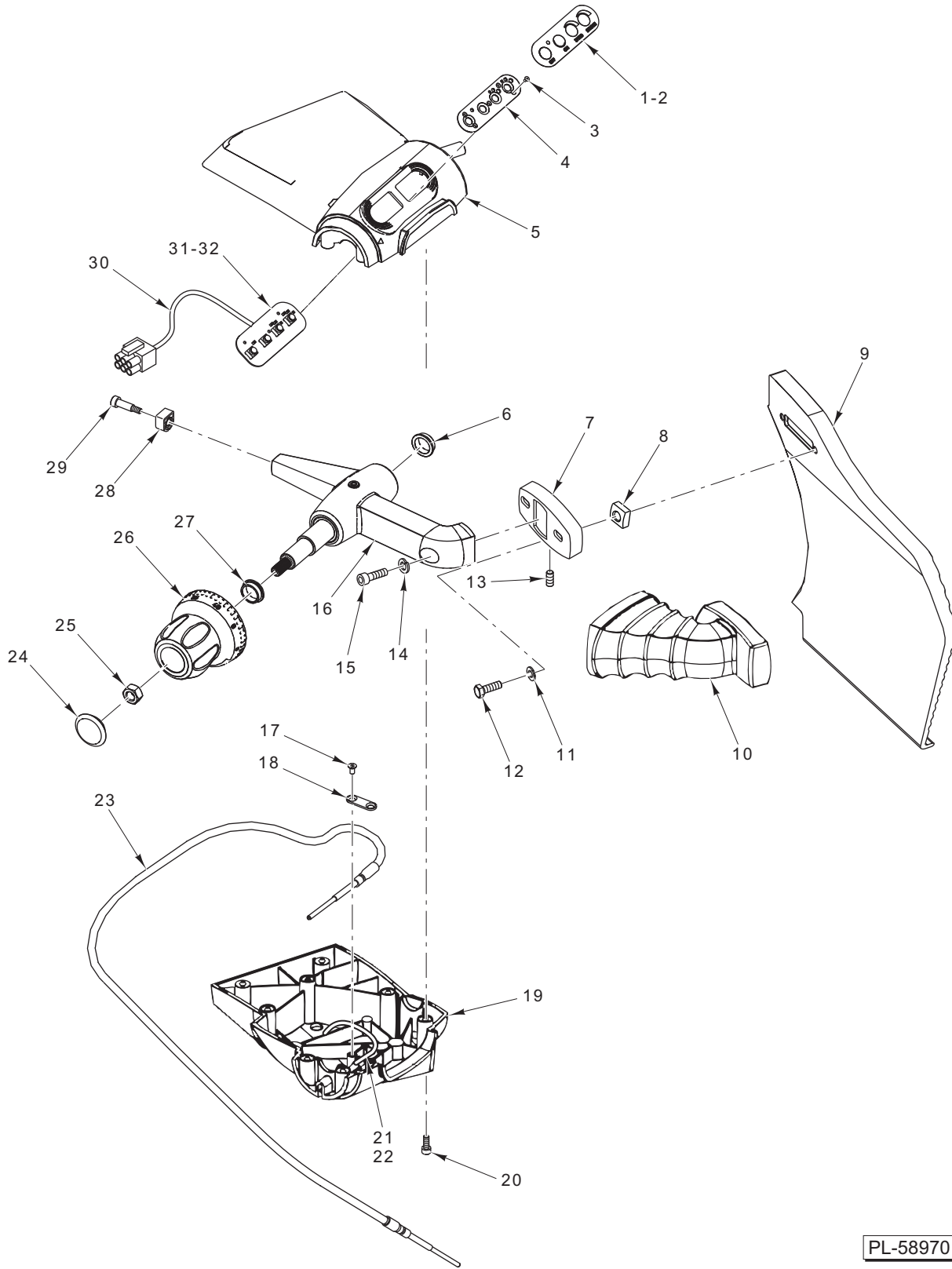


PL-58969

ARM ASSEMBLY

ARM ASSEMBLY

ILLUS.	PART NO.	NAME OF PART	AMT.
	PL-58969		
1	01-403875-00235	Plug – Top Plate.....	4
2	01-402175-02864	Cap Screw Socket Button Hd.....	4
3	01-402175-00524	Screw Table Adjustment.....	2
4	01-403875-00233	Top Plate (With Interlock).....	1
5	01-403875-00250	Top Plate (Without Interlock).....	1
6	01-402275-00582	Pin – Dowel.....	1
7	01-402275-00614	Bushing.....	1
8	01-404575-01037	Actuator Assy. – Interlock (Incls. Item 7).....	1
9	01-402175-02923	Cap Screw Flat Socket Hd.....	4
10	01-403475-01023	Plate – Autodrive Clutch.....	1
11	01-404575-01033	Clip Assy. – Autodrive Belt.....	1
12	01-402275-03047	Lockwasher #10 Internal.....	1
13	01-403375-01390	Pin – Eccentric.....	1
14	01-403475-01021	Cam – Autodrive Clutch.....	1
15	01-402175-00082	Nut – Hex.....	1
16	01-402175-02862	Cap Screw Socket Button Hd.....	1
17	01-403375-01286	Clamp – Interlock Assy.....	1
18	01-402175-00520	Self-Tapping Screw Button Socket Hd.....	2
19	01-402175-02831	Cap Screw Socket Button Hd.....	2
20	01-402675-00920	PCB Assy. – Arm Flex Cable.....	1
21	01-402275-00521	Bushing.....	2
22	01-403275-00242	Wick – Oil.....	1
23	01-402175-00520	Self-Tapping Screw Button Socket Hd.....	1
24	01-402275-00589	Washer.....	1
25	01-402175-00541	Plug – Pipe.....	1
26	01-403875-00195	Slider – Interlock Bar.....	1
27	01-402375-00184	Clevis – Stock.....	1
28	01-403875-00498	Spring Cup.....	1
29	01-403275-00236	Spring – Compressed.....	1
30	01-403375-01286	Clamp – Interlock Assy.....	1
31	01-402175-02934	Cap Screw Flat Socket Hd.....	1
32	01-403875-00499	Spring Shoulder.....	1
33	01-402375-00168	Cable – Interlock Arm.....	1
34	01-402175-02862	Cap Screw Socket Button Hd.....	1
35	01-402275-00592	Disc – Spring.....	1
36	01-403375-01376	Shaft – Clutch Pivot.....	1
37	01-403475-01022	Crank – Autodrive Clutch.....	1
38	01-402375-00184	Clevis – Stock.....	1
39	01-402175-00510	Screw Socket Nylon Hd.....	1
40	01-403375-01373	Rod – Clutch Engage.....	1
41	01-402275-00580	Knob – Clutch Engage.....	1
42	01-402175-00502	Shoulder Bolt.....	1
43	01-402375-00167	Roller – Transport.....	1
44	01-403375-01378	Spacer – Shaft.....	1
45	01-403375-01280	Mount – Transport Roller.....	1
46	01-402275-00587	Washer.....	1
47	01-402175-02745	Cap Screw Socket Hd.....	1
48	01-404375-00226	Arm – Transport (Incls. Item 21).....	1
49	01-403875-00240	Arm – Top Plate Brace.....	1
50	01-402175-00520	Self-Tapping Screw Button Socket Hd.....	2
51	01-403375-01282	Clevis – Table Interlock.....	1
52	01-402275-00232	Pin – Dowel.....	1
	01-404675-01127	Top Plate Assy. (With Interlocks) (Incls. Items 3, 4, 6, 7, 8, 17, 18, 33, & 49 thru 52).....	1

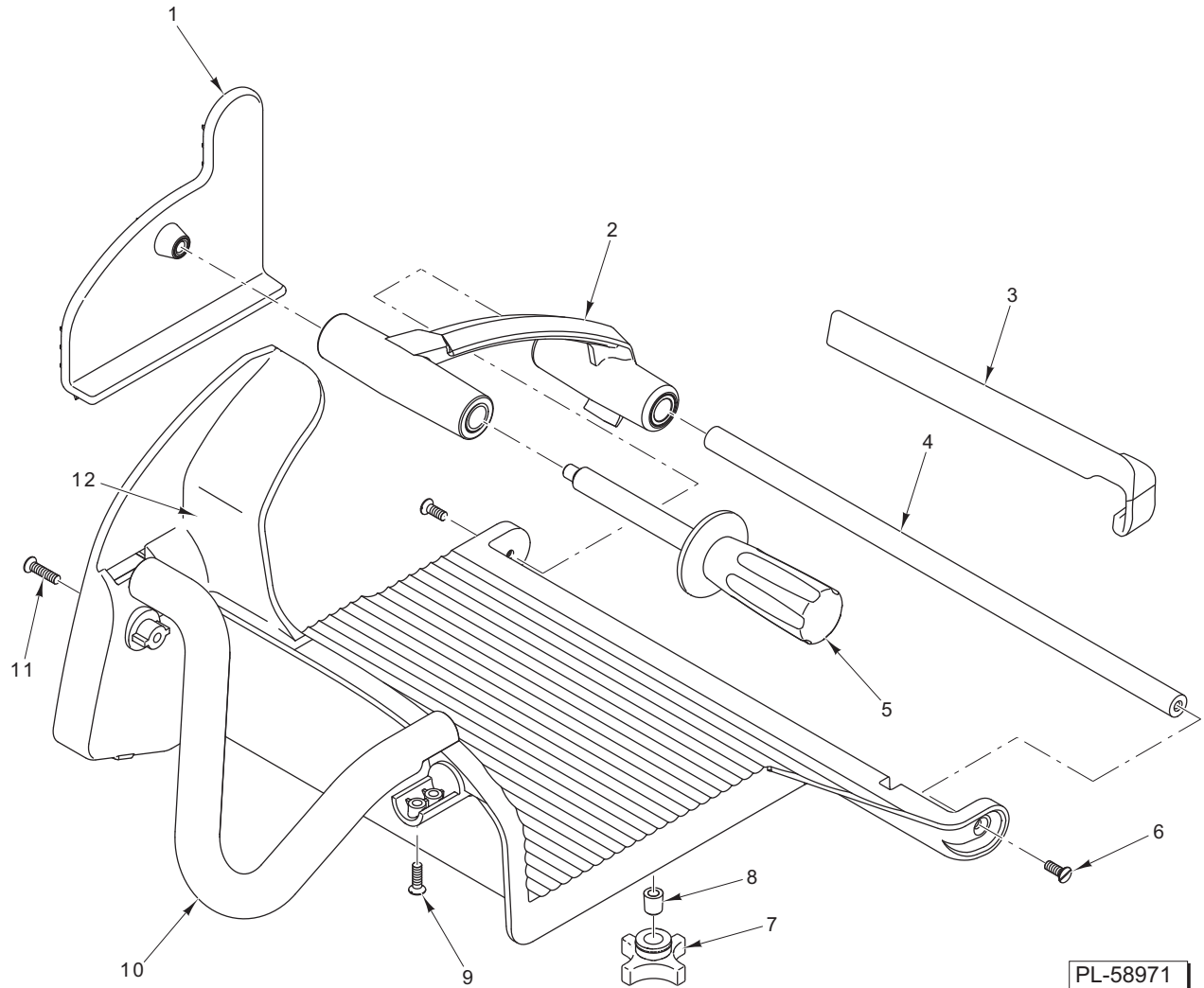


PL-58970

GAUGE PLATE ASSEMBLY

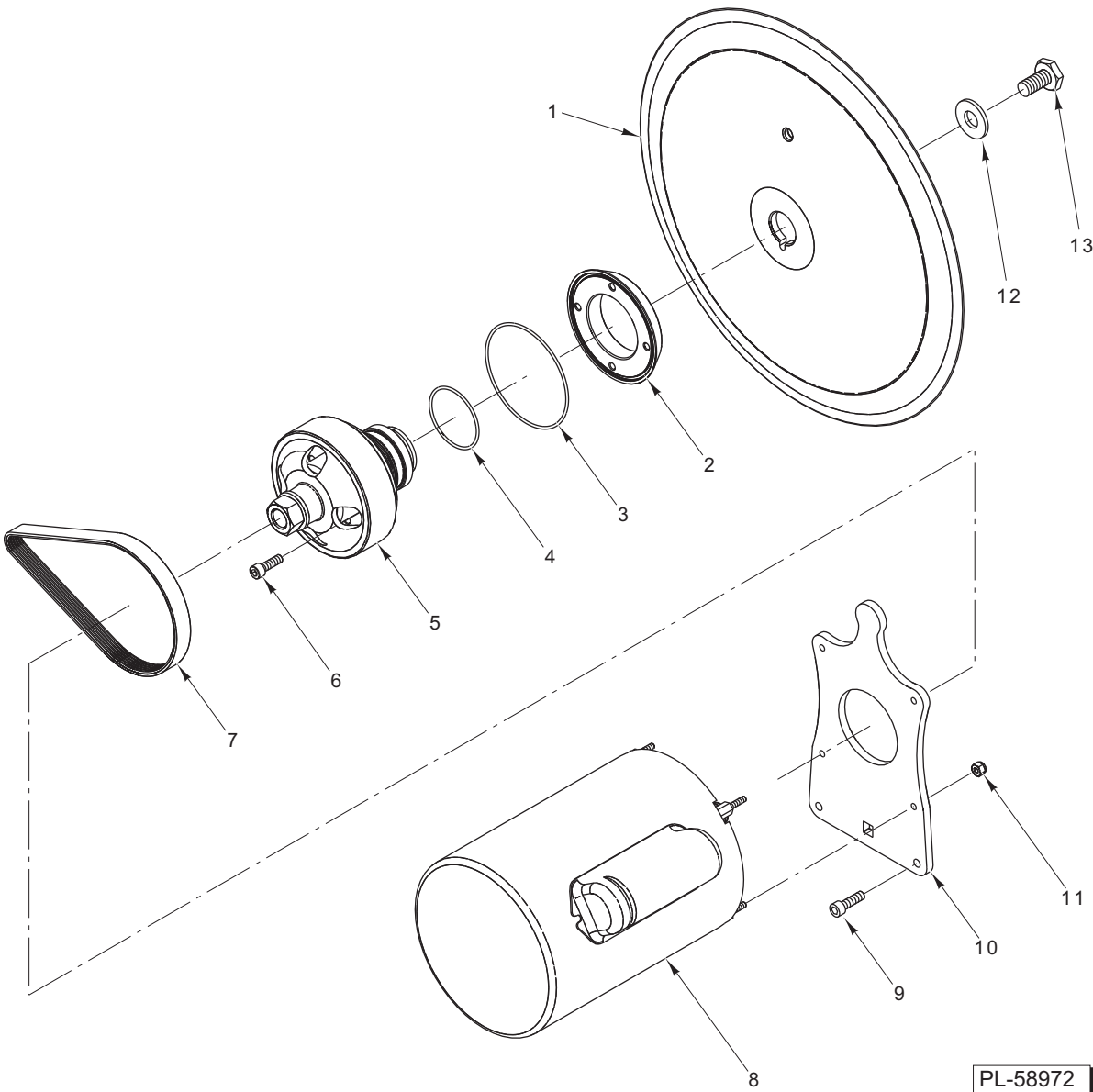
GAUGE PLATE ASSEMBLY

ILLUS. PL-58970	PART NO.	NAME OF PART	AMT.
1	01-403175-00941	Overlay – (Automatic) Berkel.....	1
2	01-403175-00945	Overlay – (Manual) Berkel.....	1
3	01-402175-00528	Screw M5 x 10mm Flat Hd.	AR
4	01-403875-00237	Mount – Upper.....	1
5	01-403875-00208	Housing – Upper.....	1
6	01-403875-00257	Bushing – Plastic Flanged.....	1
7	01-403275-00219	Block – Adjustment.....	1
8	01-403375-01276	Nut – Cylindrical.....	1
9	01-403775-00458	Plate – Gauge.....	1
10	01-403875-00236	Boot – Rubber Arm.....	1
11	01-402275-05055	Lockwasher.....	2
12	01-402175-02756	Cap Screw M8 x 20mm Hex Hd.	2
13	01-402175-00500	Set Screw.....	2
14	01-402275-06075	Lockwasher.....	1
15	01-402175-02779	Cap Screw M12 x 35 Hex Hd.	1
16	01-404375-00232	Arm – Index Support Assy. (Incls. Items 28 & 29).....	1
17	01-402175-00517	Self-Tapping Screw M5 x 10mm Flat Socket Hd.	2
18	01-403375-01286	Clamp – Interlock Assy.....	1
19	01-403875-00207	Housing – Lower Index.....	1
20	01-402175-02744	Cap Screw M6 x 16mm Socket Hd.	AR
21	01-402275-00609	Grommet Assy. (X13E & X13AE).....	1
22	01-403375-01393	Stop Pin – Index Knob (X13E & X13AE).....	1
23	01-402375-00175	Cable – Interlock Base Assy. (X13 & X13A).....	1
24	01-402275-00414	Plug.....	1
25	01-402175-00504	Nut.....	1
26	01-403875-00173	Knob – Index Assy.....	1
27	01-403875-00257	Bushing – Plastic Flanged.....	1
28	01-403875-00258	Arm – Slider.....	1
29	01-402175-00501	Shoulder Bolt.....	1
30	01-404175-00715	Harness – Upper Panel.....	1
31	01-402675-00918	PCB Assy. Upper (Automatic).....	1
32	01-402675-00921	PCB Assy. Upper (Manual).....	1
	01-404675-01159	Housing Assy. (X13) (Incls. Items 2 thru 6, 16 thru 22, 27 thru 30, & 32).....	1
	01-404675-01160	Housing Assy. (X13A) (Incls. Items 1, 3, 4, 5, 6, 16 thru 20, 23, & 27 thru 31).....	1
	01-404675-01162	Housing Assy. (X13AE) (Incls. Items 1, 3 thru 6, 16 thru 22, & 27 thru 31).....	1
	01-404675-01165	Housing Assy. (X13E) (Incls. Items 5, 6, 16 thru 22, 24, 25, 27, 28, & 29).....	1



PRODUCT TABLE

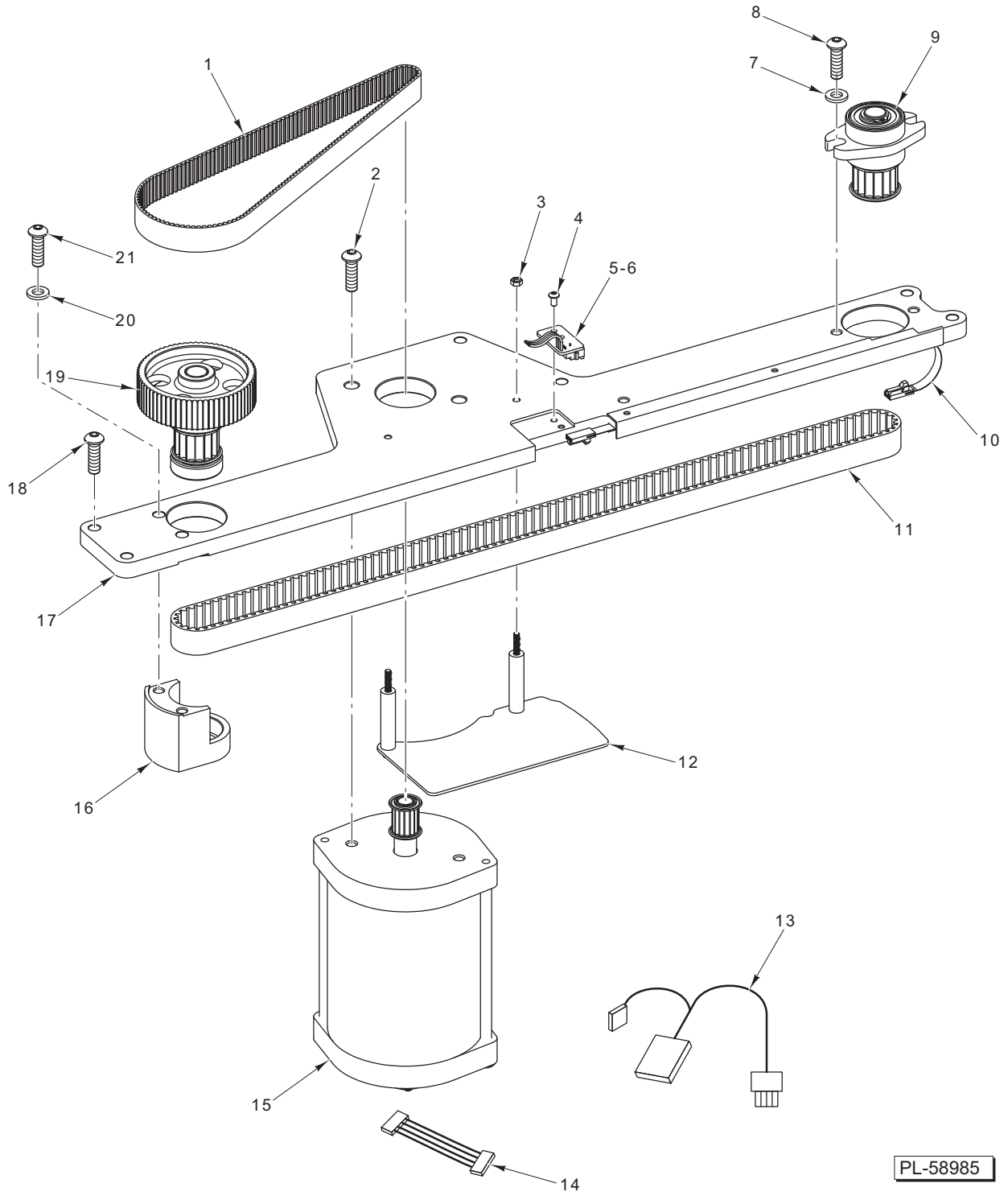
ILLUS.	PART NO.	NAME OF PART	AMT.
PL-58971			
1	01-403875-00177	Pusher Assy.	1
2	01-404375-00236	Arm – Pusher.....	1
3	01-404675-01135	Fence – Product	1
4	01-403375-01387	Rail – Guide.....	1
5	01-404575-01032	Handle – Pusher.....	1
6	01-402175-00509	Cap Screw Slotted Flat Hd.	2
7	01-402275-00622	Knob	1
8	01-403375-01386	Sleeve.....	1
9	01-402175-00505	Cap Screw Slotted Flat Hd.	2
10	01-403875-00175	Handle – Table (Red).....	1
11	01-402175-02949	Cap Screw Flat Socket Hd.....	1
12	01-404975-00476	Table – Product.....	1
	01-404675-01134	Table Assy. (Incls. Items 1 thru 12).....	1



PL-58972

KNIFE AND MOTOR ASSEMBLY

ILLUS.	PART NO.	NAME OF PART	AMT.
1	01-403675-00277	Knife.....	1
2	01-403375-01269	Mount – Spindle.....	1
3	01-402275-00530	O-Ring (Spindle Mount).....	1
4	01-402275-00554	O-Ring (Bearing Housing).....	1
5	01-404675-01140	Hub Assy. (Knife).....	1
6	01-402175-02746	Cap Screw Socket Hd.....	4
7	01-402375-00176	Belt – Knife Drive.....	1
8	01-404175-00686	Motor (110-115 V.).....	1
9	01-402175-02744	Cap Screw Socket Hd.....	2
10	01-403475-00963	Mount – Knife Motor.....	1
11	01-402175-00469	Nut – Motor Mount.....	4
12	01-402275-00524	Washer.....	1
13	01-402175-00468	Bolt – Knife.....	1

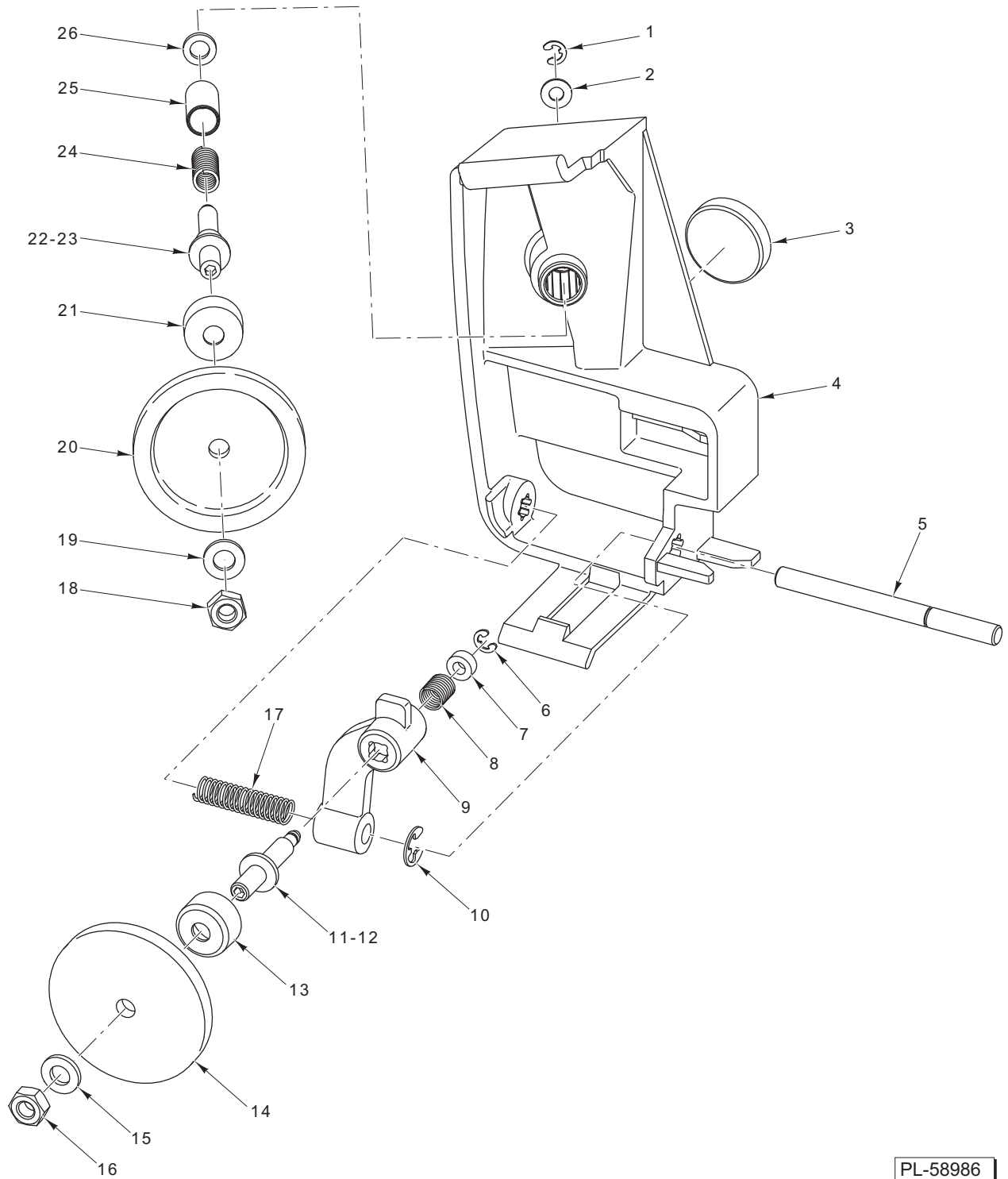


AUTODRIVE ASSEMBLY

PL-58985

AUTODRIVE ASSEMBLY

ILLUS. PL-58985	PART NO.	NAME OF PART	AMT.
1	01-402375-00172	Belt – Secondary	1
2	01-402175-02868	Cap Screw Socket Button Hd.	1
3	01-402175-00522	Lock Nut Hex	2
4	01-402175-02831	Cap Screw Socket Button Hd.	2
5	01-404175-00732	Cable (J4) (Non-Interlock) (X13AE).....	1
6	01-404175-00740	Cable Assy. (J4) (Interlock) (X13A).....	1
7	01-402275-00587	Washer.....	2
8	01-402175-02866	Cap Screw Socket Button Hd.	2
9	01-404375-00224	Tensioner Assy.	1
10	01-404175-00714	Flex Cable Assy.	1
11	01-402375-00171	Belt – Primary	1
12	01-404675-01151	Guide Assy. (Flex Cable)	1
13	01-404175-00716	Cable (J9) (Encode PCB Jumper)	1
14	01-404175-00739	Cable Assy. – Optical Encoder.....	1
15	01-404175-00734	Motor Assy.	1
16	01-403775-00495	Housing – Autodrive Transmission	1
17	01-404975-00481	Autodrive Plate Assy.	1
18	01-402175-02868	Cap Screw Socket Button Hd.	1
19	01-404375-00225	Transmission.....	1
20	01-402275-00603	Washer – Nylon	2
21	01-402175-02868	Cap Screw Socket Button Hd.	2
	01-404175-00716	Encoder – PCB Jumper	1



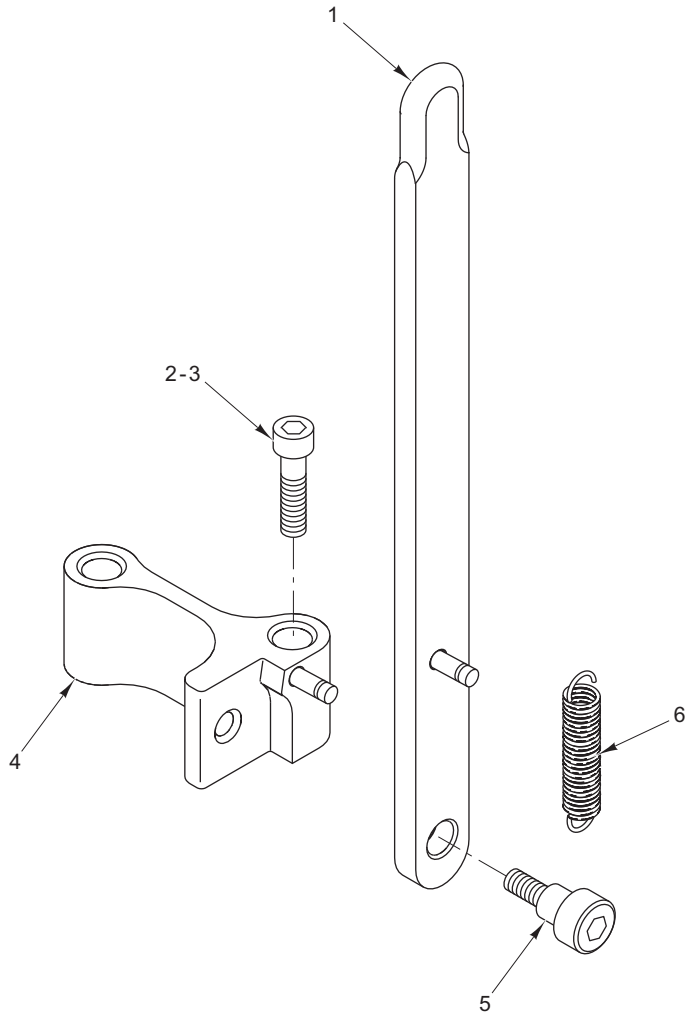
PL-58986

KNIFE SHARPENER UNIT

KNIFE SHARPENER UNIT

ILLUS. PL-58986	PART NO.	NAME OF PART	AMT.
1	01-402275-00594	E-Clip	1
2	01-402275-00441	Washer.....	1
3	01-402775-00733	Magnet.....	1
4	01-403875-00231	Frame – Sharpener.....	1
5	01-403375-01381	Shaft – Sharpener Actuator	1
6	01-402275-00594	E-Clip	1
7	01-402275-00595	Bushing.....	1
8	01-403275-00231	Spring – Debur.....	1
9	01-403875-00230	Frame – Debur.....	1
10	01-402275-00583	E-Clip	1
*11	01-404975-00485	Kit – Debur Spindle (RH) (Incls. Item 16)	1
12	01-403375-01411	Shaft – Debur Spindle (RH)	1
13	01-403875-00232	Skirt (Debur)	1
14	01-403675-00283	Stone – Borazon (Debur).....	1
15	01-402275-00587	Washer.....	1
*16	01-402175-00540	Nut M6 x 1 Hex (RH)	1
17	01-403275-00232	Spring – Sharpener Actuator	1
*18	01-402175-00540	Nut M6 x 1 Hex (RH)	1
19	01-402275-00587	Washer.....	1
20	01-403675-00283	Stone – Borazon (Sharpener).....	1
21	01-403875-00232	Skirt (Sharpener)	1
*22	01-404975-00484	Kit – Sharpening Spindle (RH) (Incls. Item 18).....	1
23	01-403375-01410	Shaft – Sharpening Spindle (RH)	1
24	01-403275-00230	Spring – Sharpener.....	1
25	01-402275-00596	Bushing.....	1
26	01-403475-01040	Washer – Fiber	1
	01-404675-01158	Knife Sharpener Assy. (Incls. Items 1 thru 26).....	1

*When replacing left-hand threaded nuts or shafts with right-hand threaded parts, use kit item 11 or 22 above.
Note that left-hand nuts and shafts are no longer available.



PL-58984

KICKSTAND ASSEMBLY

ILLUS.	PART NO.	NAME OF PART	AMT.
PL-58984			
1	01-404375-00235	Leg – Kickstand Sub Assy.....	1
2	01-402175-00527	Screw M6 x 40mm Button Socket Hd. (Automatic Slicers).....	1
3	01-402175-02869	Cap Screw Button Hd. (Manual Slicers)	1
4	01-404375-00234	Bracket Assy. – Kickstand.....	1
5	01-402175-00525	Shoulder Bolt	1
6	01-403275-00234	Spring – Extension.....	1
	01-404675-01139	Kickstand Assy. (Incls. Items 5 & 6).....	1