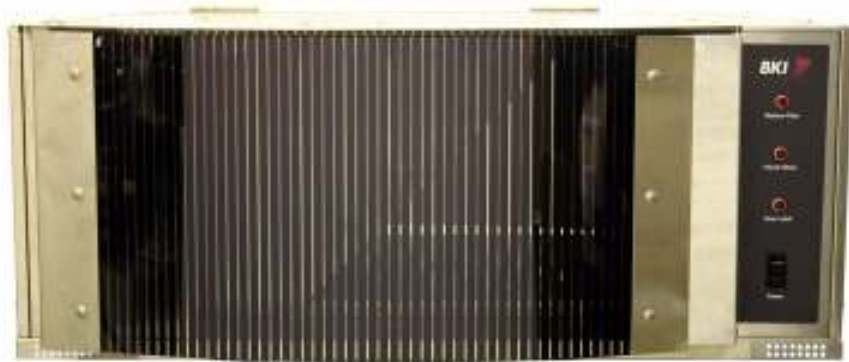


Rotisserie Ventless Hood

MODEL VGH-Series

Service Manual

Serial Numbers 195937 and higher



BKI LIMITED WARRANTY

2812 Grandview Dr. • Simpsonville, SC 29680 • USA
(864) 963-3471 • Toll Free: (800) 927-6887 • Fax: (864) 963-5316

WHAT IS COVERED

This warranty covers defects in material and workmanship under normal use, and applies only to the original purchaser providing that:

- ☐ The equipment has not been accidentally or intentionally damaged, altered or misused;
- ☐ The equipment is properly installed, adjusted, operated and maintained in accordance with national and local codes, and in accordance with the installation and operating instructions provided with this product.
- ☐ The serial number rating plate affixed to the equipment has not been defaced or removed.

WHO IS COVERED

This warranty is extended to the original purchaser and applies only to equipment purchased for use in the U.S.A.

COVERAGE PERIOD

- ☐ Warranty claims must be received in writing by BKI within one (1) year from date of installation or within one (1) year and three (3) months from data of shipment from the factory, whichever comes first.
- ☐ COB Models: One (1) Year limited parts and labor.
- ☐ COM Models: Two (2) Year limited parts and labor. COM convection ovens also have a two (2) year door warranty.
- ☐ CO1 Models: Two (2) Year limited parts and labor. Five (5) Year limited door warranty.
- ☐ BevLes Products: Two (2) Year limited parts and labor.
- ☐ Warranty period begins the date of dealer invoice to customer or ninety (90) days after shipment date from BKI, whichever comes first.

WARRANTY COVERAGE

This warranty covers on-site labor, parts and reasonable travel time and travel expenses of the authorized service representative up to (100) miles round trip and (2) hours travel time and performed during regular, weekday business hours.

EXCEPTIONS

Any exceptions must be pre-approved in advance and in writing by BKI. The extended door warranty on convection ovens years 3 through 5 is a parts only warranty and does not include labor, travel, mileage or any other charges.

EXCLUSIONS

- ☐ Negligence or acts of God,
- ☐ Thermostat calibrations after (30) days from equipment installation date,
- ☐ Air and gas adjustments,
- ☐ Light bulbs,
- ☐ Glass doors and door adjustments,
- ☐ Fuses,
- ☐ Adjustments to burner flames and cleaning of pilot burners,
- ☐ Tightening of screws or fasteners,
- ☐ Failures caused by erratic voltages or gas suppliers,
- ☐ Unauthorized repair by anyone other than a BKI Factory Authorized Service Center,
- ☐ Damage in shipment,
- ☐ Alteration, misuse or improper installation,
- ☐ Thermostats and safety valves with broken capillary tubes,
- ☐ Freight - other than normal UPS charges,
- ☐ Ordinary wear and tear,
- ☐ Failure to follow installation and/or operating instructions,
- ☐ Events beyond control of the company.

INSTALLATION

Leveling, as well as proper installation and check out of all new equipment - per appropriate installation and use materials - is the responsibility of the dealer or installer, not the manufacturer.

REPLACEMENT PARTS

BKI genuine Factory OEM parts receive a (90) day materials warranty effective from the date of installation by a BKI Factory Authorized Service Center.

Table of Contents

Table of Contents	1
Introduction.....	2
Safety Precautions	2
Safety Signs and Messages	2
Specific Precautions	3
Safe Work Practices	3
ETL Information.....	5
Installation.....	6
Unpacking and Handling	6
Inspection for Shipping Damage.....	6
Location and Clearance.....	6
Detailed Installation Instructions	6
Wiring.....	7
Baffle Grease / Odor Filter.....	8
Operation.....	9
Principles of Operation.....	9
Controls and Indicators	9
Preparation.....	10
Start-Up	10
Shut-Down.....	10
When to Replace the Filter.....	11
Cleaning	11
Maintenance.....	12
Scheduled Maintenance.....	12
Cleaning the Grease Baffle.....	13
Replacing the Charcoal/Odor Filter	13
Replacement Parts	14
Assemblies	14
Accessories.....	24
Wiring Diagrams	25

Introduction

Congratulations! You have chosen **BKI**'s Rotisserie Ventless Global Hood (VGH) system, a state-of-the-art unit that filters grease laden air and returns it to the room.

The VGH is a simple ventless extraction hood system designed to mount on top of VGG model rotisserie ovens manufactured by BKI. The hood may be shipped on top of new units or retrofitted at a store location. The VGH-5 is designed for use on the VGG-5; while the VGH-8 is designed for use on VGG-8's and VGG-16's. The hood does not employ and is not designed as a fire suppression system. The purpose of the hood is to *limit* the emission of grease laden air drawn out of or rising above the rotisserie oven. Pass thru and solid back versions are available.

The **BKI** name and trademark on this unit assures you of the finest in design and engineering -- that it has been built with care and dedication -- using the best materials available. Attention to the operating instructions regarding proper operation, installation and maintenance will result in long lasting dependability to insure the highest profitable return on your investment.

NOTICE

PLEASE READ THIS ENTIRE MANUAL BEFORE OPERATING THE UNIT. If you have any questions, please contact your **BKI** Distributor. If they do not answer your questions, contact the **BKI** Technical Service Department, toll free: 1-800-927-6887. Outside the U.S., call 1-864-963-3471.

Safety Precautions

Always follow recommended safety precautions listed in this manual. Below is the safety alert symbol. When you see this symbol on your equipment, be alert to the potential for personal injury or property damage.



Safety Signs and Messages

The following Safety signs and messages are placed in this manual to provide instructions and identify specific areas where potential hazards exist and special precautions should be taken. Know and understand the meaning of these instructions, signs, and messages. Damage to the equipment, death or serious injury to you or other persons may result if these messages are not followed.



This message indicates an imminently hazardous situation, which, if not avoided, will result in death or serious injury.



This message indicates a potentially hazardous situation, which, if not avoided, could result in death or serious injury.

⚠ CAUTION

This message indicates a potentially hazardous situation, which, if not avoided, may result in minor or moderate injury. It may also be used to alert against unsafe practices.

NOTICE

This message is used when special information, instructions or identification are required relating to procedures, equipment, tools, capacities and other special data.

Specific Precautions

⚠ DANGER

Carbon monoxide poisoning will result from using this hood with any appliance that utilizes combustible fuel. Use only electrical appliances with this hood.

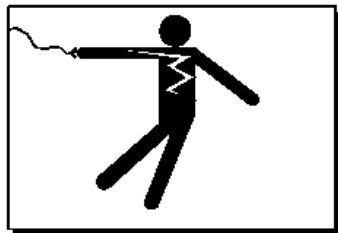
⚠ WARNING

In the event of an appliance fire, serious injury, property damage or death could occur if the appliance is not properly placed on top of the rotisserie. The hood has not been secured by fasteners. To ensure that the appliance remains in the proper position on top of the rotisserie hood during normal operation, **DO NOT TIP, PULL, OR PUSH APPLIANCE WITHOUT PROVIDING ADEQUATE PRECAUTION!**

NOTICE

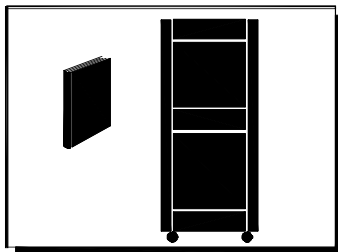
Hood failure could result if the hood is operated without the grease baffle and particle/odor filter installed. This is a special filter designed for this application only; other filters will not work properly. Use only a **BKI** particle/odor filter.

Safe Work Practices



Beware of High Voltage

This equipment uses high voltage. Serious injury can occur if you or any untrained or unauthorized person installs, services, or repairs this equipment. Always Use an Authorized Service agent to Service Your Equipment



Keep this manual with the Equipment

This manual is an important part of your equipment. Always keep it near for easy access. If you need to replace this manual, contact:

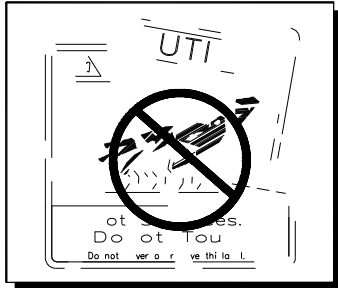
BKI
 Technical Services Department
 2812 Grandview Drive
 Simpsonville, S.C. 29680
 Or call toll free: 1-800-927-6887
 Outside the U.S., call 864-963-3471



Protect Children

Keep children away from this equipment. Children may not understand that this equipment is dangerous for them and others.

NEVER allow children to play near or operate your equipment.

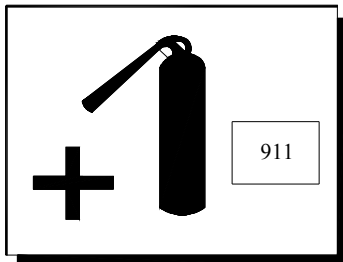


Keep Safety Labels Clean and in Good Condition

Do not remove or cover any safety labels on your equipment. Keep all safety labels clean and in good condition. Replace any damaged or missing safety labels.

If you need new safety labels, contact:

BKI
 Technical Services Department
 2812 Grandview Drive
 Simpsonville, S.C. 29680
 Or call toll free: 1-800-927-6887
 Outside the U.S., call 864-963-3471

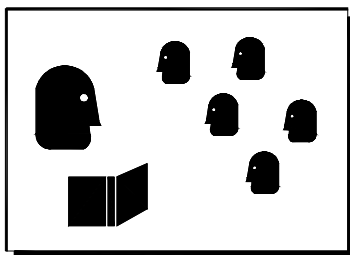


Prepare for Emergencies

Be prepared for fires, injuries, or other emergencies.

Keep a first aid kit and a fire extinguisher near the equipment. You must use a 40-pound Type BC fire extinguisher and keep it within 25 feet of your equipment.

Keep emergency numbers for doctors, ambulance services, hospitals, and the fire departments near your telephone.



Know your responsibility as an Employer

- Make certain your employees know how to operate the equipment.
- Make certain your employees are aware of the safety precautions on the equipment and in this manual.
- Make certain that you have thoroughly trained your employees about operating the equipment safely.
- Make certain the equipment is in proper working condition. If you make unauthorized modifications to the equipment, you will reduce the safety and function of the equipment.

ETL Information**⚠ WARNING**

Failure to adhere to building, fire and electrical codes during installation of this unit could result in death, serious injury or property damage. The authority having jurisdiction, such as the local building inspector or fire marshal, should be consulted prior to installation to insure compliance with applicable codes.

⚠ WARNING

In the event of an appliance fire, serious injury, property damage or death could occur if the appliance is powered from a source other than the rotisserie for which it is designed for. The hood used on top of the appliance **MUST** receive its input power from the appliance. This hood has not been installed with Fire Extinguishing System.

NOTICE

This filter hood is an Intertek Testing Services, inc. classified ductless hood for use with ETL listed type commercial cooking appliance only (rotisserie).

Installation

⚠ WARNING

Serious injury, equipment damage or death could result if attempting to install this unit yourself. Ensure that an authorized BKI service agent installs the unit.

Unpacking and Handling

Inspection for Shipping Damage

YOU are responsible for filing all freight claims with the delivering truck line. Inspect all cartons and crates for damage as soon as they arrive. If damage to cartons or pallets is found, or if a shortage is found, note this on the bill of lading (all copies) prior to signing and receiving.

If damage is found when the equipment is opened, immediately call the delivering truck line and follow up the call with a written report indicating concealed damage to your shipment. Ask for an immediate inspection of your concealed damage item. Packaging material **MUST** be retained to show the inspector from the shipping line.

Location and Clearance

Make sure the rotisserie is mounted on a level surface capable of supporting the fully loaded oven. Refer to oven installation guidelines in the oven manual.

The hood will be installed in one of two ways. New VGG's may be ordered with the hood already assembled (mounted to the top of the Rotisserie) or shipped with it for installation at the store location. VGG's already in service may be fitted with the hood at a store location as a retro-fit installation.

⚠ WARNING

Disconnect VGG rotisserie from the electrical supply before attempting installation. VGH-8 Hood for use only with BKI Models VGG-8 or VGG-16 rotisseries.
VGH-5 Hood for use only with BKI Model VGG-5 rotisserie.

Detailed Installation Instructions

1. Remove side panel on the control side of the VGG and both side panels on the VGH.
2. Unscrew the 4 philips head screws of the access plate on the ceiling of the VGG and turn it around allowing hole to access the VGG control compartment. Reattach the plate with the 4 philips head screws.
3. Install the [F0155](#) bushing provided into access hole of VGG.
4. Attach 1 of the [FB68943018](#) (Appliance Lifting/Installation Bracket) handles on each side of the VGH using the bottom two holes that the side panels attach to and with screws removed from the side panels.

⚠ CAUTION

The hood lifting/installation brackets ([FB68943018](#)) are used as lifting mechanism and are attached to the sides of the hood with side panels removed for placing the hood on top of the oven. Failure to install this part could cause damage to the hood and/or oven.

5. Pick up and place the VGH on the VGG making sure the controls are on the same side as the VGG controls.

Wiring

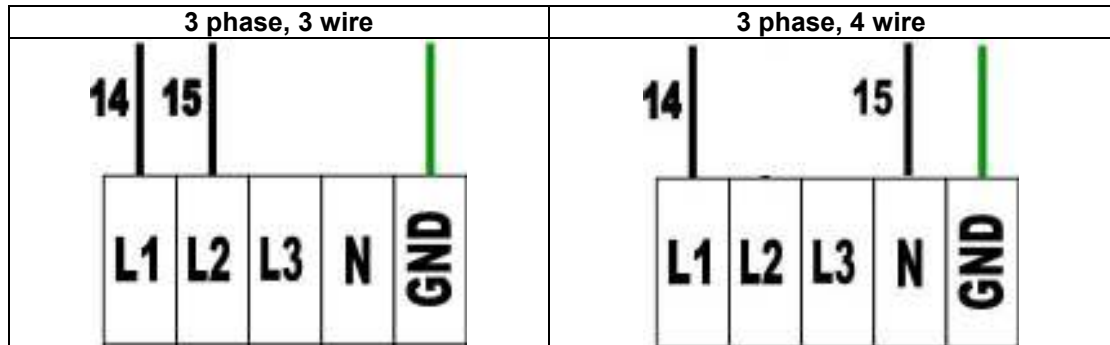
⚠ WARNING

Electrocution, equipment failure or property damage could result if an unlicensed electrician performs the electrical installation. Ensure that a licensed electrician perform the electrical installation.

⚠ WARNING

In the event of an appliance fire, serious injury, property damage or death could occur if the appliance is powered from a source other than the oven. The hood **MUST** receive its input power from the rotisserie for which it is mounted on.

1. Feed power wires and interlock wires through access hole into VGG.
2. The power wires # 14, 15, and ground are wired as follows:



3. For interlock, remove #5 wire from VGG Power Switch. Crimp male connector provided with VGH onto #5 wire and plug into female connector of VGH wire #11. Place VGH wire #10 into VGG Power Switch where #5 wire was.
4. Replace all side panels.

Baffle Grease / Odor Filter

These filters will come already installed in the hood. If not, follow the steps below to install the filters.

1. Remove the filter(s) from the plastic bag.
2. Open the hood and filters doors on the front of the unit by pulling on the handles.
3. Observing the “FRONT” marking on the grease filter and facing the control side of the hood away from the blower, slide the filter into the unit as shown. Repeat for the Charcoal filter with the “ARROW” mark showing air flow direction pointing towards the blower.
4. Close the filters and hood doors.



Operation

Principles of Operation

The hood requires a VGG rotisserie power supply, a two-wire connections tapped into the control circuits of the VGG it is mounted to, and the activation of a simple On / Off switch to operate. The wiring change to the VGG ensures that the rotisserie is inoperable until the filter and door switch circuits are satisfied (that is, the filters are present and the door(s) are closed).

A blower inside the ventless hood draws cooking vapors through a grease baffle. Inside the baffle, the air reverses direction two times capturing particles of moisture, grease, and dirt. Material collecting on the baffle drains into the condensation trough located below the baffle. After air passes through the baffle, it then enters a charcoal odor filter. The charcoal odor filter helps to remove cooking odors from the air. The filtered air then passes through the blower and is returned to the room.

The VGG oven may now be energized and operated normally. Refer to the Rotisserie manual on operations of the VGG. If a hood door is opened, the "Door Latch" pilot light illuminates and a relay opens the control circuit in the VGG causing the VGG to immediately power off. If either filter is removed, the "Check Filters" pilot light illuminates and neither the hood nor VGG will operate.

Controls and Indicators



Item	Label	Description	Function
1	Replace Filters	Light Indicator	This light illuminates to indicate time to change out the old filters to new ones.
2	Check Filters	Light Indicator	This light illuminates if either of the two filters or both are not in place. The hood will not run with this light on.
3	Door Latch	Light Indicator	This light illuminates if either of the hood front or rear glass door or both is open. The hood will not run if this light is on.
4	Power (0/1)	Main Power Switch / Light Indicator	Turns power to the entire unit ON (1) or OFF (0).

Preparation

The following conditions must be met for the Filter Hood to function:

- The charcoal odor filter must be installed.
- The grease baffle must be installed.
- The filters door and hood doors must be shut.
- Power must be supplied to the hood from the VGG.

Start-Up

To start the Filter Hood, press the power “On / Off” rocker switch button to position **I**.

Shut-Down

NOTICE

Power to the appliance is turned off, when the hood is turned off.

NOTICE

For proper operation, always turn off appliance and allow time for it to cool before turning off the filter hood. This will insure proper capture of grease vapors.

To stop the Filter Hood, press the power “On / Off” rocker switch button to **0**.



When to Replace the Filter

The vacuum switch is designed to monitor the level of negative/static pressure created by the blower. When the charcoal filter is approximately 70% dirty, the “Replace Filters” pilot light illuminates. This light is an indication to the operators that the filter needs to be changed soon. Theoretically, the hood may be operated with 100% dirty filter (however, hood performance will be affected), as the hood is not designed to shut-down with dirty filters.

In low to medium volume applications, the charcoal filter may need replacement prior to the REPLACE FILTERS light illuminating. If you smell a strong odor coming from the face of the filter and the REPLACE FILTERS light is not illuminated, the filter needs to be replaced. If necessary, refer to the procedure in this manual for replacing the filters (see page 13).

Cleaning

Refer to scheduled maintenance in this manual (see page 12).

Maintenance

⚠ WARNING

Electrocution could occur if this unit is hosed down with water. This unit is NOT designed for hose wash-down cleaning! Refer to scheduled maintenance below for proper hood cleaning.

⚠ WARNING

Electrocution could occur if power is not removed from this unit before servicing. Remove power at disconnect or circuit breaker **BEFORE** servicing hood.

Scheduled Maintenance

Use the following table to help manage scheduled maintenance activities.

FREQUENCY	PERFORMED BY	PART	ACTIVITY
Daily	User	Entire Hood	Wipe unit down with a soft rag and mild cleaning agent.
	User	Condensation trough	Check condensation trough. Empty if necessary.
	User	Grease Baffle	Clean grease baffle. If necessary, refer to the procedure in this manual for cleaning the baffle.
Weekly	User	Charcoal/Odor Filter	Inspect charcoal/odor filter. In low to medium volume applications, the filter may need replacement prior to the indicating light turning on. This condition will be evident by a strong odor coming from the face of the filter. If necessary, refer to the procedure in this manual for replacing the filter.
Monthly	User	Door and Filter Interlock	Check door and filter interlock operation. The unit should not operate with the front door open or either the grease baffle or charcoal/odor filter removed. Clean area between grease baffle and charcoal/odor filter.

⚠ WARNING

Injury from rotating fan blades could occur if power is not removed from this unit before cleaning the blower section. Remove power at disconnect or circuit breaker **BEFORE** cleaning the blower section.

3 Months	User	Blower Section	Clean the blower section.
----------	------	----------------	---------------------------

Cleaning the Grease Baffle

1. Shut down the unit.
2. Open the front Hood door and Filters door, and slide out the grease baffle from the unit.
3. Spray the grease baffle with degreasing type soap.
4. Rinse with hot water; dry, and replace in hood.

Replacing the Charcoal/Odor Filter

1. Shut down the unit.
2. Open the hood door and the filters door on the front of the unit by pulling out on the handles.
3. Slide the used filter out of the unit.
4. Remove the replacement filter from the plastic bag.
5. Observing the "AIR FLOW DIRECTION" mark on the filter, slide the filter into the unit.

NOTICE

When installing a new filter, slight resistance should be observed as the filter is being slid into place. This resistance is generated by flap metal plates located on the top of the filter compartment frames. If this resistance is not felt after a period of time it may become necessary to adjust the pressure that these plates provide by pulling them slightly downwards with your fingers.

6. Close the doors.

Replacement Parts

Use the information in this section to identify replacement parts. To order replacement parts, call your local BKI sales and service representative. Before calling, please note the serial number on the rating tag affixed to the unit.

Assemblies

Description	Assembly #	Figure #	Table #
VGH-8 ASSEMBLY VGH-5 ASSEMBLY	AB37500100 AB37510100	Figure 1	Table 1
BLOWER EXHAUST ASSEMBLY	AB37504400	Figure 2	Table 2
CONTROL PANEL ASSEMBLY	AB37504600	Figure 3	Table 3

DOOR FILTERS ASSEMBLY	AB37504800	Figure 4	Table 4
HINGE OUTERDOOR ASSEMBLY	AB37505100	Figure 5	Table 5
OUTER DOOR ASSEMBLY VGH-8 Matrix	AB37503500	Figure 6	Table 6
OUTER DOOR ASSEMBLY VGH-5 Matrix	AB37511500		
OUTER DOOR ASSEMBLY VGH-5 Clear	AB37511300		
REED SWITCH ASSEMBLY	AB37504700	Figure 7	Table 7
FRAME ASSY VGH-8	AB37500200	Figure 8	Table 8
FRAME ASSY VGH-5	AB37510200		

Figure 1. VGH-8 / VGH-5 Assembly

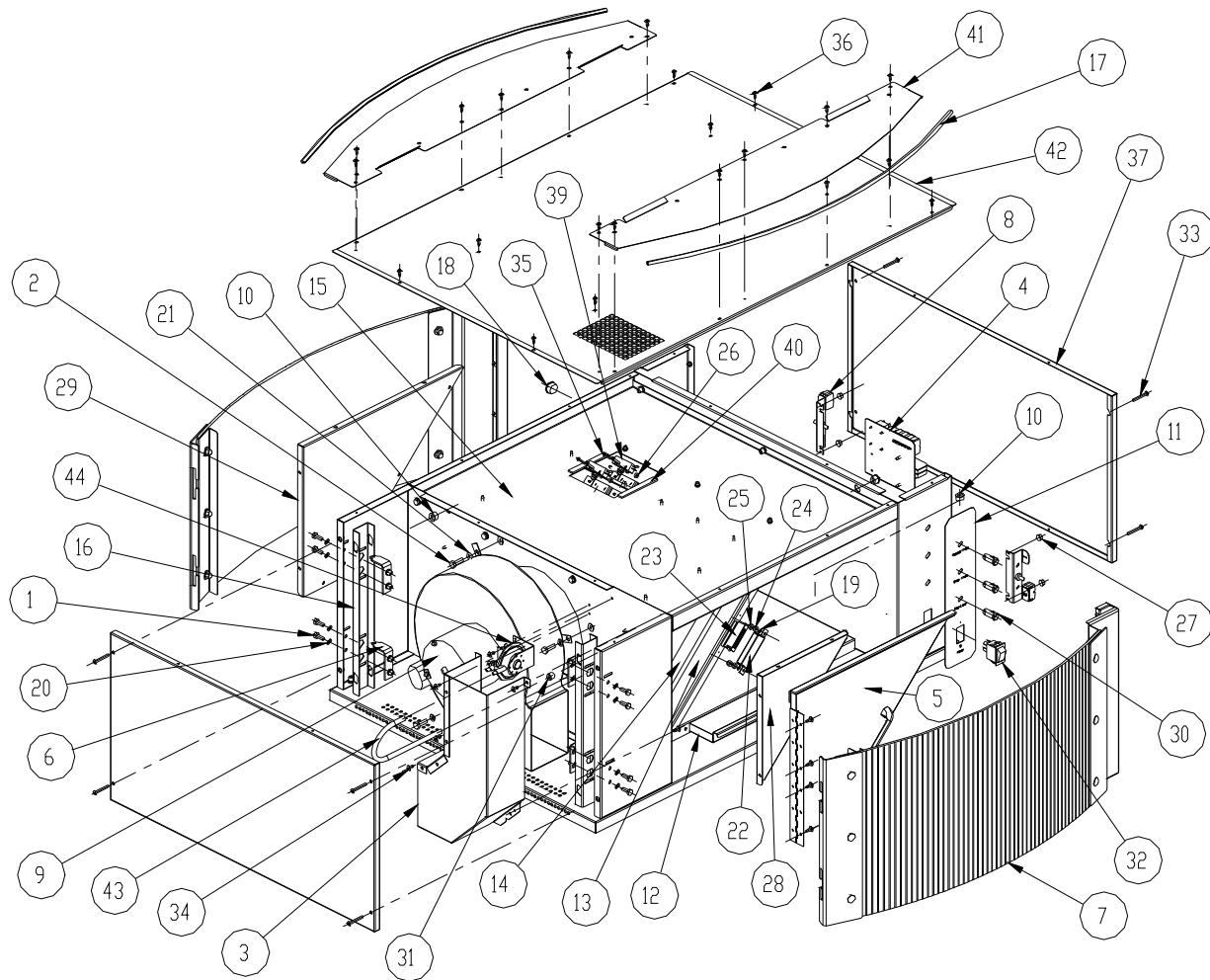


Table 1. VGH-8 / VGH-5 Parts

ITEM	PART NUMBER	QTY	DESCRIPTION
1	SCR059	8	1/4"-20x3/4" HEX SCREW
2	SCR062	3	5/16"-18x1" HEX SCREW
3	AB37504400	1	ASSEMBLY, BLOWER EXHAUST
4	AB37504600	1	ASSEMBLY, CONTROL PANEL
5	AB37504800	1	ASSEMBLY, DOOR FILTERS
6	AB37505100	4	ASSEMBLY, HINGE OUTERDOOR
7	AB37503500	2	ASSEMBLY, OUTER DOOR VGH-8 MATRIX
	AB37511500		ASSEMBLY, OUTER DOOR VGH-5 MATRIX
	AB37511300		ASSEMBLY, OUTER DOOR VGH-5 CLEAR
8	AB37504700	2	ASSEMBLY, REED SWITCH
9	M0100	1	BLOWER ASSY
10	F0156	3	BUSHING -5/8 SNAP
11	N0565	1	DECAL, CONTROL PANEL
12	WB37501900	1	DRAIN PAN
13	F10032	1	FILTER, BAFFLE GREASE
14	F10033	1	FILTER, CHARCOAL
15	AB37500200	1	FRAME ASSY VGH-8
	AB37510200		FRAME ASSY VGH-5

ITEM	PART NUMBER	QTY	DESCRIPTION
16	FB37505002	2	FRAME SUPPORT HINGESIDE
17	G0025	2	GASKET, U-CHANNEL VGH-8 35.25 IN. GASKET, U-CHANNEL VGH-5 31.13 IN.
18	FT0277	1	HOLE PLUG -7/8 IN.
19	WSH246	2	LOCKWASHER, #10 INTERNAL
20	WSH044	8	LOCKWASHER, 1/4" SPLIT-ZINC PLT
21	WSH260	3	LOCKWASHER,5/16" SPLIT -SSTL
22	FB37502509	1	MAGNET COVER, DOOR FILTERS
23	C0505	1	MAGNET, DOOR
24	NUT131	2	NUT, #10-24 SS 18-8 HEX
25	NUT132	2	NUT, #10-24 SSTL CAP
26	NUT253	4	NUT, #6-32 HEX NYLON LOCK
27	NUT076	7	PALNUT, #10-24 ZINC PLTD
28	FB37504503	1	PANEL GUARD BLOWER
29	FB37501803	1	PANEL SIDE FILTER
30	PL0004	3	PILOT LIGHT -RED
31	F0158	1	PLASTIC SNAP BUSHING
32	S0103	1	ROCKER SWITCH
33	SCR160	8	SCREW,#10-24X1-1/2 SLTD RD HD
34	SCR138	23	SCREW,#10X1/2" PHIL TRUSS HD
35	SCR194	4	SCREW,#6-32x1 SLTD RD HD
36	SCR005	22	SCREW,#8X1/2" PHIL HD-TYPE B
37	FB37503703 FB37511703	2	SIDE PANEL VGH-8 SIDE PANEL VGH-5
38	S0018	1	SILICONE SEALANT ALUM
39	S0366	2	SWITCH, SNAP
40	TP0039	2	TAPE SILICONE, FILT SWITCH 4" LG
41	FB37505203 FB37511403	2	TOP COVER, OUTER DOOR VGH-8 TOP COVER, OUTER DOOR VGH-5
42	FB37503603 FB37511603	1	TOP PANEL VGH-8 TOP PANEL VGH-5
43	TU0005	1	TUBING VINYL 1/4ID x3/8OD x12"
44	S0098	1	VACUUM SWITCH 1.00" WC

Figure 2. Blower Exhaust Assembly

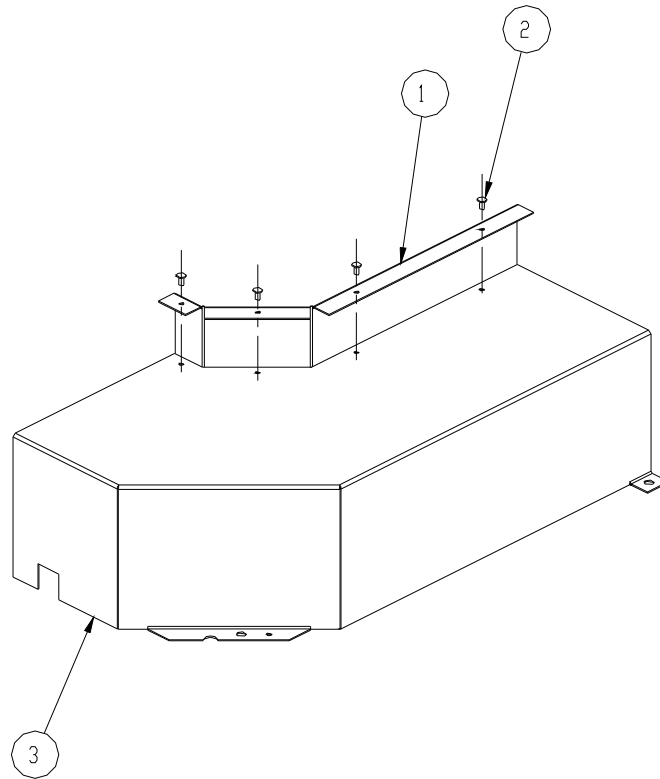


Table 2. Blower Exhaust Parts

ITEM	PART NUMBER	QTY	DESCRIPTION
1	FB37502103	1	PANEL, SHROUD BLWR EXHAUST
2	RIV172	4	RIVET, 1/8" X 1/4" CS
3	FB37502003	1	SHROUD, BLOWER EXHAUST

Figure 3. Control Panel Assembly

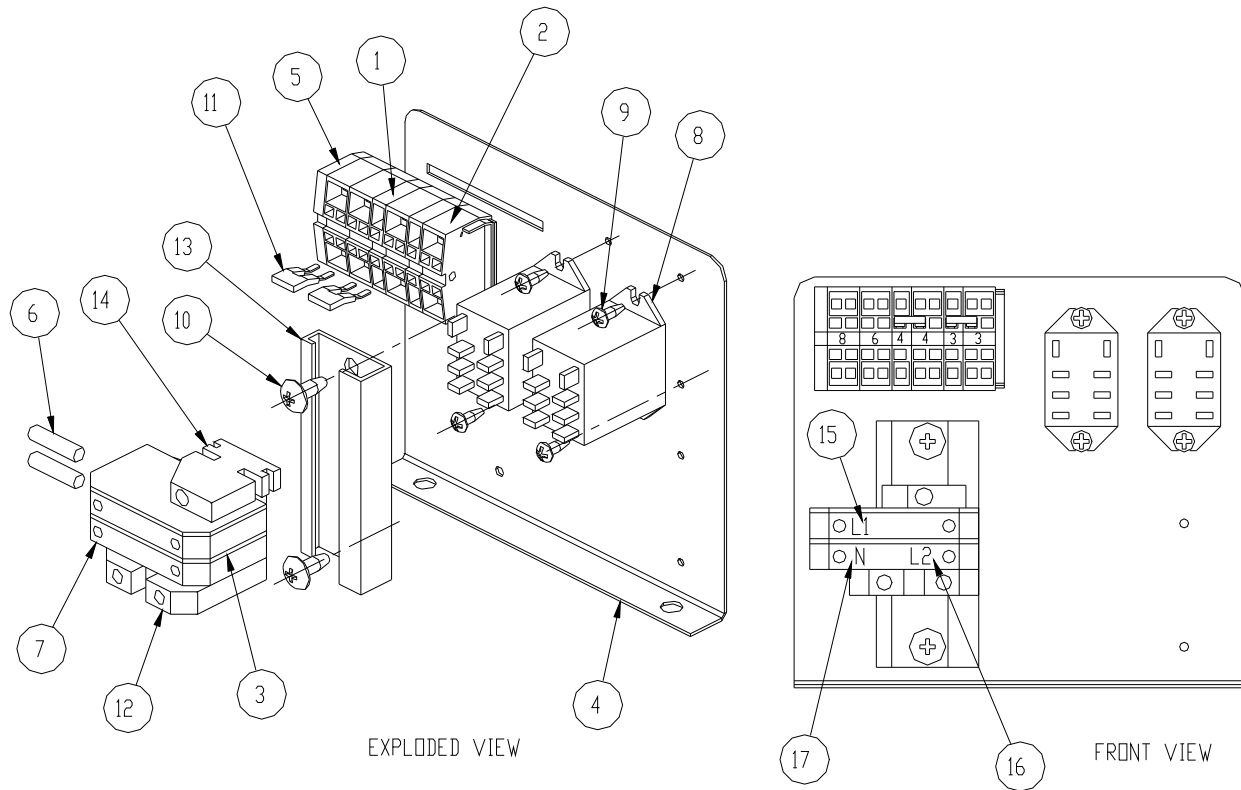


Table 3. Control Panel Parts

ITEM	PART NUMBER	QTY	DESCRIPTION
1	TB0067	2	2-COND FOOT MNT TERM BLK
2	TB0065	4	4-COND FOOT MNT TERM BLK
3	TE044UK	2	BARRIER -FUSE CARRIER
4	FB37504009	1	CONTROL MOUNTING PLATE
5	TB0068	1	END PLATE -TERM BLOCK
6	FU006UK	2	FUSE -5 A, 5 x 20 mm
7	TE043UK	2	FUSE CARRIER SECTION
8	R0171	2	RELAY, SPDT 220/240V
9	SCR444	4	SCREW, #6X3/8" RD PHIL HD
10	SCR138	2	SCREW, #10X1/2" PHIL TRUSS HD
11	TB0069	2	TERM BLOCK JUMPER BAR
12	TB0041	1	TERMINAL BLOCK GROUND
13	MA55129400	1	TERMINAL BLOCK MTG RAIL
14	TB0040	1	TERMINAL BLOCK STOP
15	TB0044-L1	1	TERMINAL MARKER -L1
16	TB0044-L2	1	TERMINAL MARKER -L2
17	TB0044-N	1	TERMINAL MARKER -N

Figure 4. Door Filters Assembly

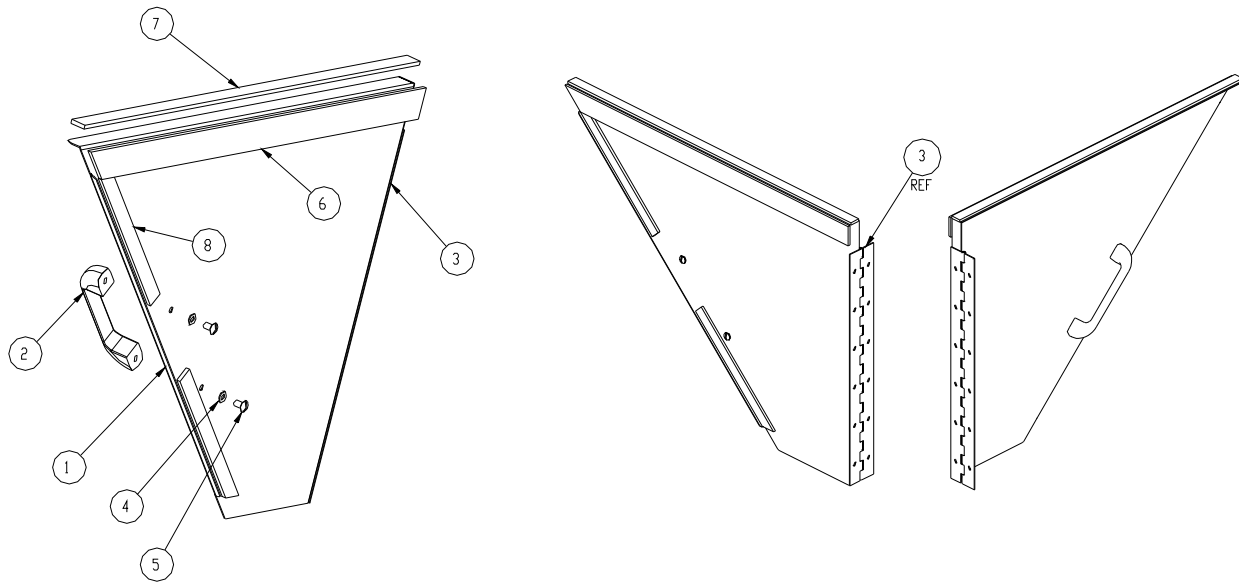


Table 4. Door Filters Parts

ITEM	PART NUMBER	QTY	DESCRIPTION
1	FB37502403	1	DOOR FILTERS
2	P0014	1	HANDLE, PULL
3	MB37502700	1	HINGE, DOOR FILTERS
4	WSH246	2	LOCKWASHER, #10 INTERNAL
5	SCR029	2	SCREW, #10-24X5/16 SLTD RD HD
6	TP0026	1	TAPE SILICONE, DOOR INNER 18" LG
7	TP0039	1	TAPE SILICONE, DOOR TOP 18" LG
8	TP0039	2	TAPE SILICONE, MAG FACE 7" LG

Figure 5. Outerdoor Hinge Assembly

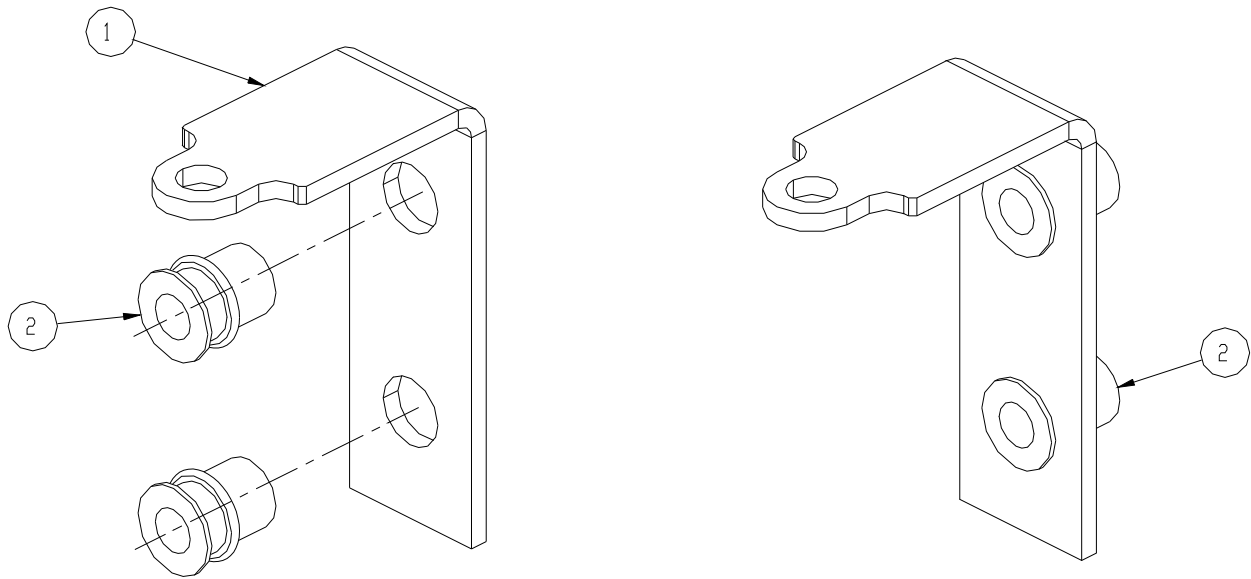


Table 5. Outerdoor Hinge Parts

ITEM	PART NUMBER	QTY	DESCRIPTION
1	FB37502802	1	HINGE, OUTERDOOR
2	F0079	2	THREADED INSERT, 1/4"-20(.03-.17)

Figure 6. Outer Door Assembly

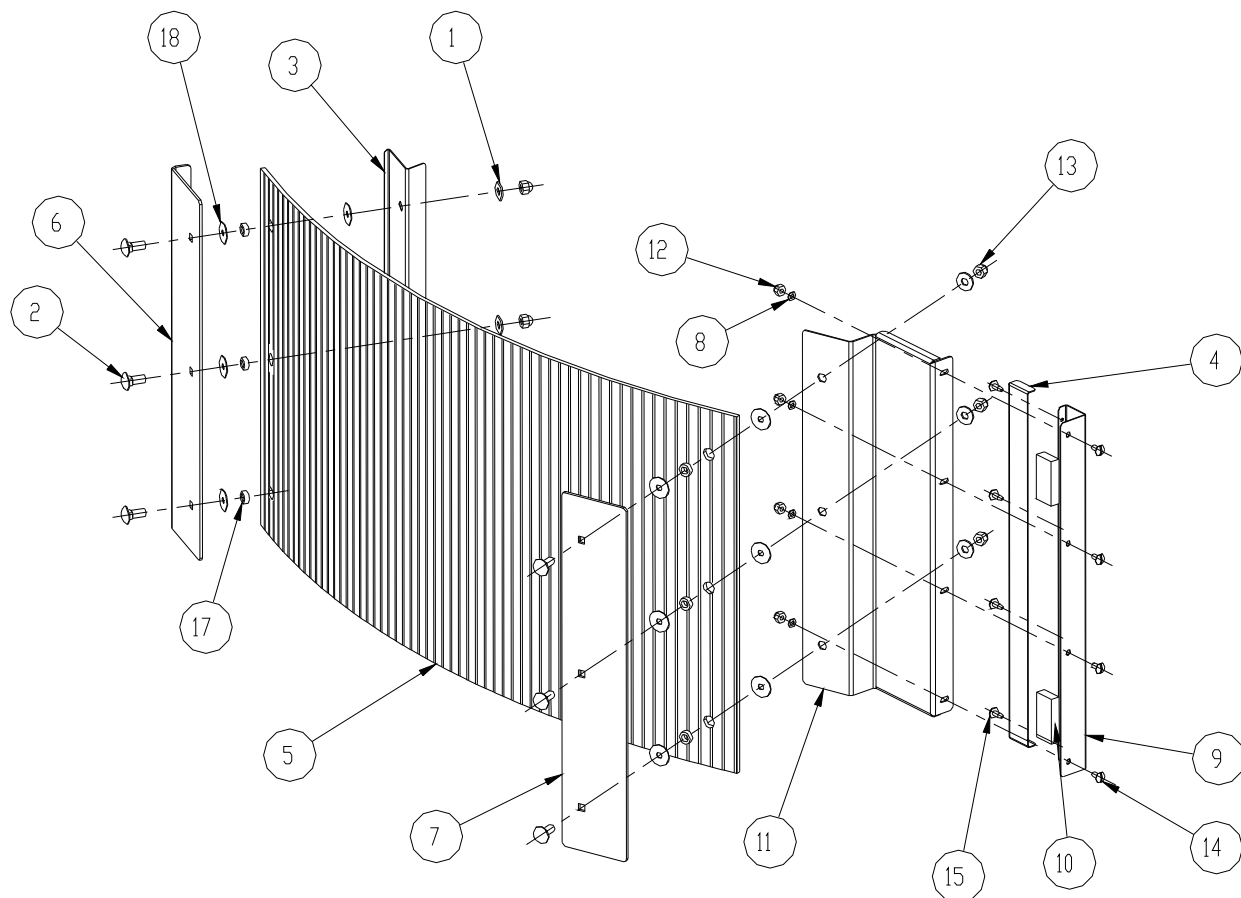


Table 6. Outer Door Parts

ITEM	PART NUMBER	QTY	DESCRIPTION
1	WSH266	6	1/4" FLAT WASHER
2	BLT257	6	BOLT, 1/4"-20 x 5/8"
3	FB37503003	1	BUMPER BRKT, OUTER DOOR
4	FB37503403	1	COVER MAGNET, OUTER DOOR
5	GL0388M GL0389M GL0389	1	DOOR GLASS, OUTER VGH-8 (Matrix) DOOR GLASS, OUTER VGH-5 (Matrix) DOOR GLASS, OUTER VGH-5 (Clear)
6	FB37502903	1	HINGE PLATE -OUTER DOOR
7	FB37503103	1	LATCH PLATE, CURVED OUTER DOOR
8	WSH246	4	LOCKWASHER, #10 INTERNAL
9	FB37503303	1	MAGNET MOUNT, OUTER DOOR
10	MC0005	2	MAGNET, 1 7/8 x 7/8
11	FB37503203	1	MAGNETIC CATCH BRACKET
12	NUT132	4	NUT, #10-24 SSTL CAP
13	NUT097	6	NUT, 1/4"-20 HEXCAP S/S
14	SCR136	4	SCREW,#10-24X3/8 SLTD TRUSS HD
15	SCR138	4	SCREW,#10X1/2" PHIL TRUSS HD
16	S0018	1	SILICONE SEALANT ALUM
17	SP0031	6	SPACER, PTFE
18	WSH268	12	WASHER, PTFE

Figure 7. Reed Switch Assembly

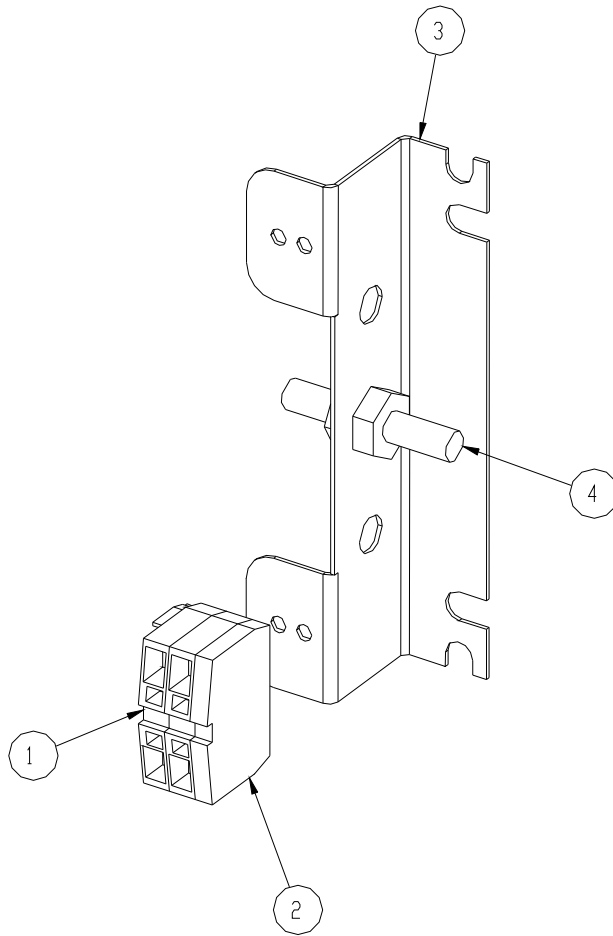


Table 7. Reed Switch Parts

ITEM	PART NUMBER	QTY	DESCRIPTION
1	TB0067	2	2-COND FOOT MNT TERM BLK
2	TB0068	1	END PLATE -TERM BLOCK
3	FB37503909	1	MOUNT, MAGNETIC SENSOR
4	S0363	1	SWITCH, REED

Figure 8. Frame Assembly VGH-8 / VGH-5

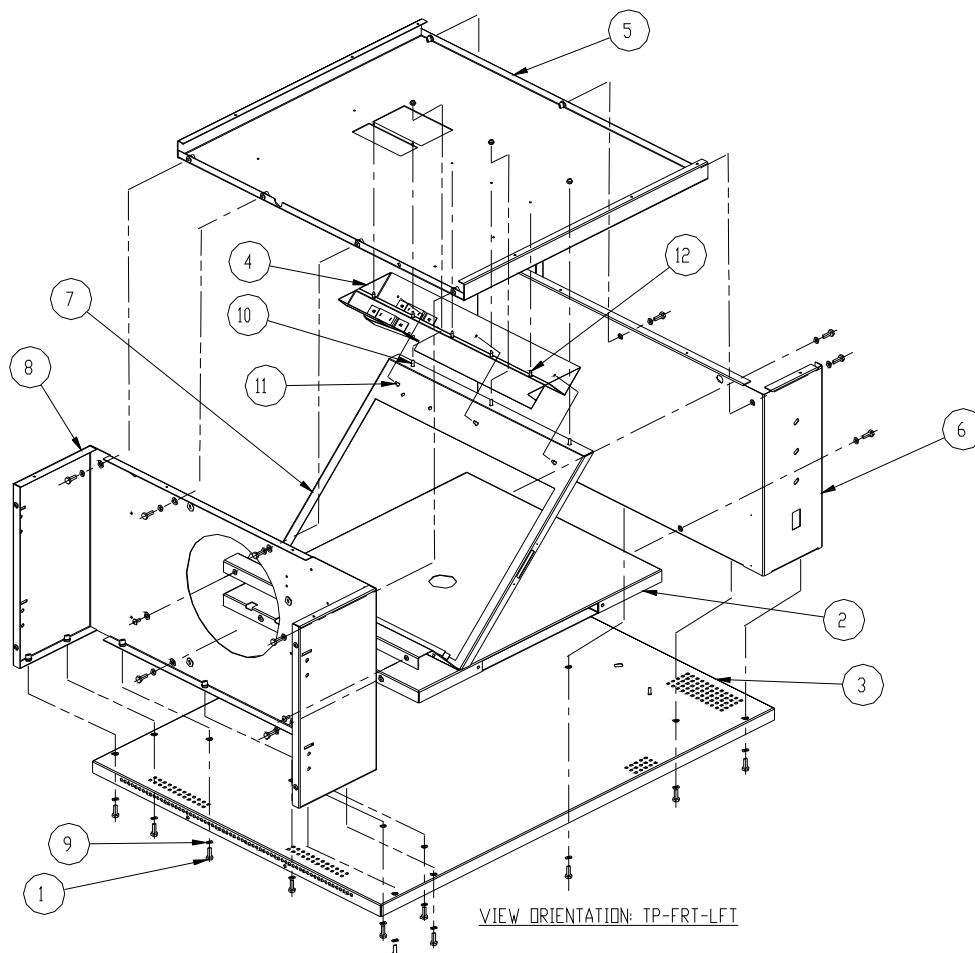


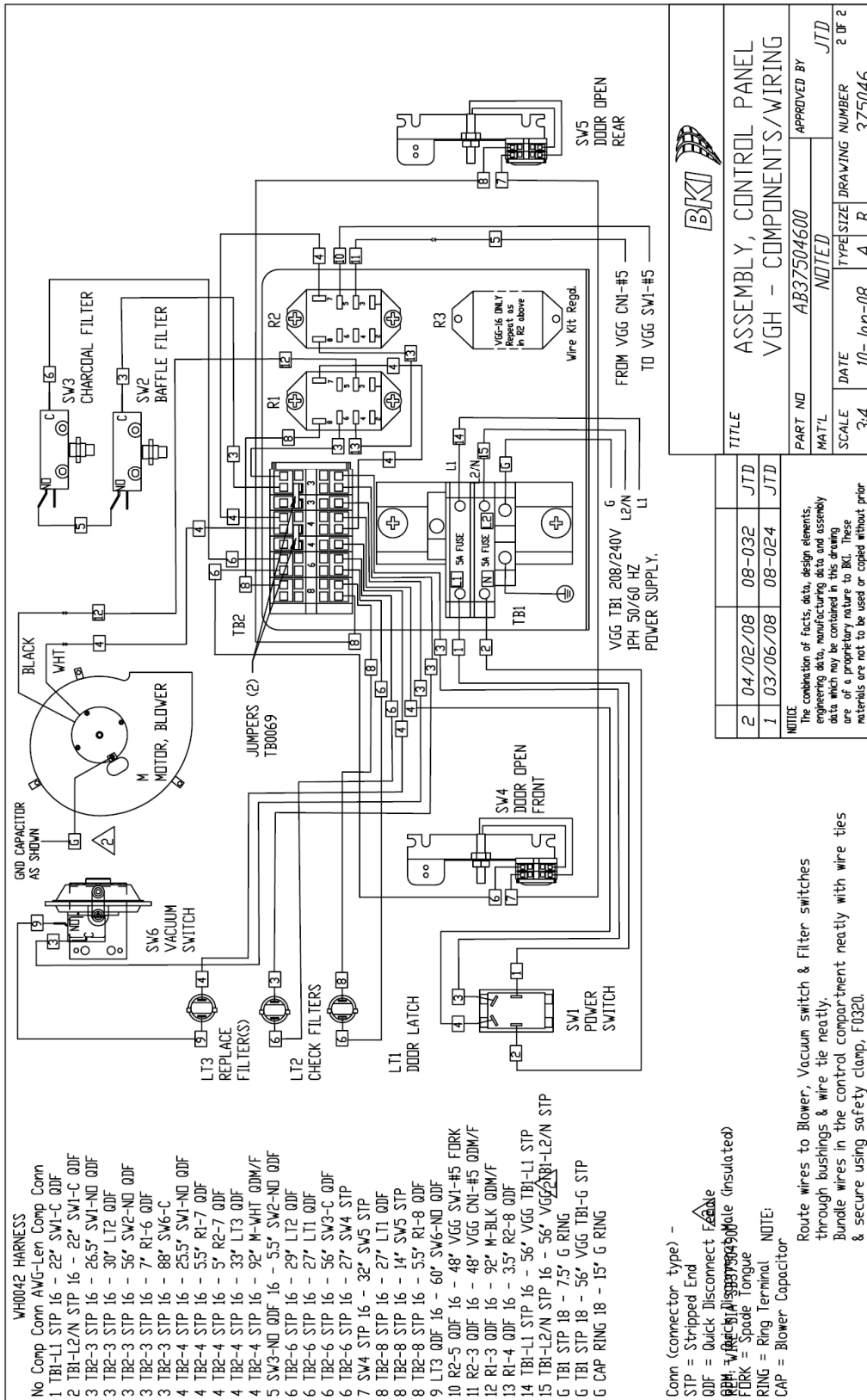
Table 8. Frame Parts

ITEM	PART NUMBER	QTY	DESCRIPTION
1	SCR059	24	1/4"-20x3/4" HEX SCREW
2	AB37500400 AB37510400	1	ASSEMBLY, BASE DRAIN VGH-8 ASSEMBLY, BASE DRAIN VGH-5
3	AB37504100 AB37510500	1	ASSEMBLY, BASE PLATE VGH-8 ASSEMBLY, BASE PLATE VGH-5
4	AB37500600	1	ASSEMBLY, BRKT FILTR INTLOK
5	AB37504200 AB37510600	1	ASSEMBLY, FRAME TOP VGH-8 ASSEMBLY, FRAME TOP VGH-5
6	AB37504300 AB37511100	1	ASSEMBLY, FRAME VERT RT VGH-8 ASSEMBLY, FRAME VERT RT VGH-5
7	AB37500500	1	ASSEMBLY, FRM SPRT FILTER
8	AB37500300 AB37510300	1	ASSEMBLY, FRM VT HINGESIDE VGH-8 ASSEMBLY, FRM VT HINGESIDE VGH-5
9	WSH044	24	LOCKWASHER, 1/4" SPLIT-ZINC PLT
10	SCR383	5	SCREW, #10-24X1/2 PHIL TRUSS HD
11	SCR138	3	SCREW, #10X1/2" PHIL TRUSS HD
12	SCR005	5	SCREW, #8X1/2" PHIL HD-TYPE B

Accessories

PART NUMBER	QTY	DESCRIPTION	PICTURE
FI0032	1	FILTER, BAFFLE GREASE	 A rectangular metal grease baffle filter with a series of vertical ridges or baffles inside a metal frame.
FI0033	1	FILTER, CHARCOAL	 A rectangular charcoal filter with a dark, porous mesh surface and a metal frame.

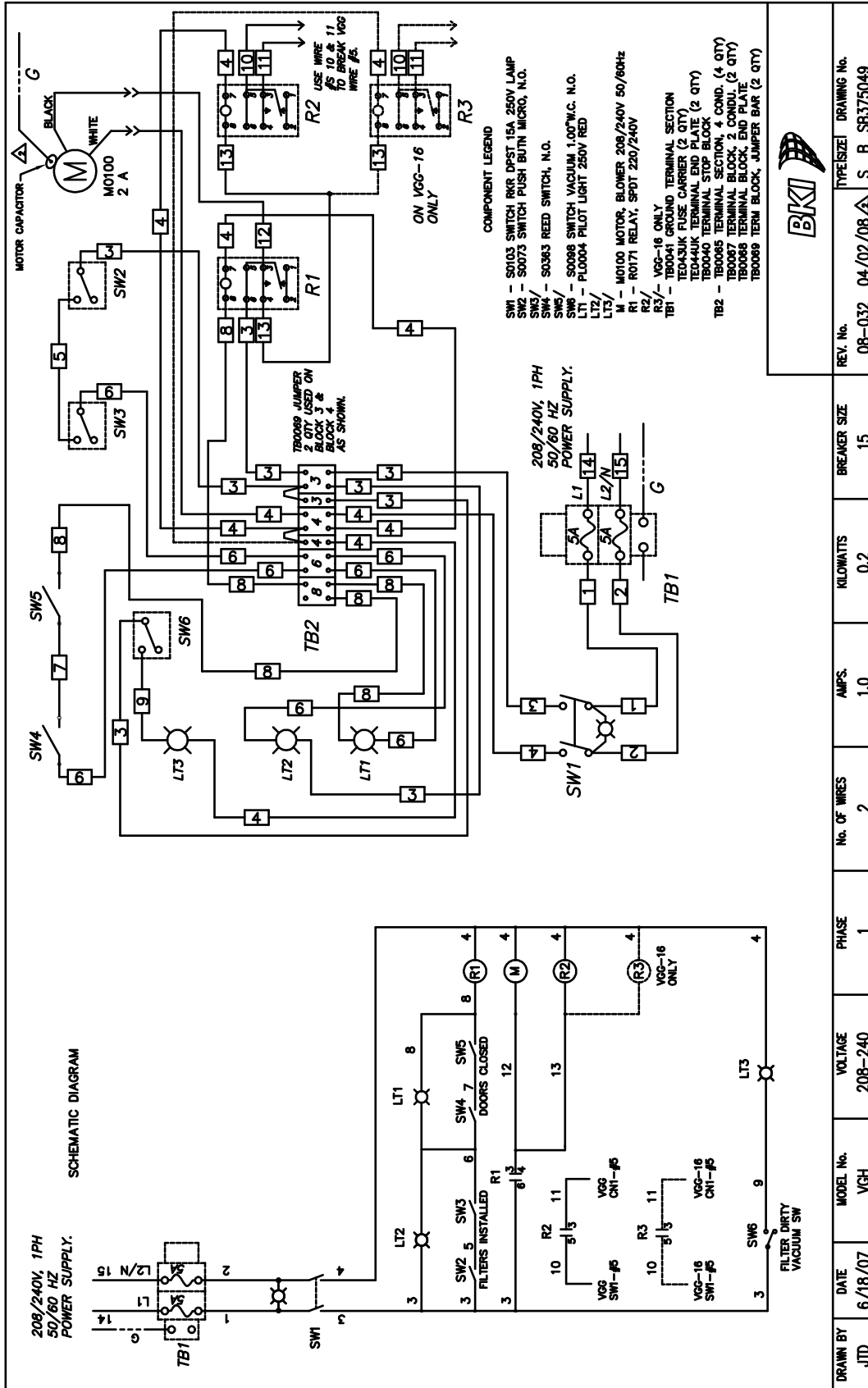
Wiring Diagrams



ASSEMBLY, CONTROL PANEL VGH - COMPONENTS/WIRING	
PART NO	AB37504600
MAT'L	NOTED
APPROVED BY	JTD
SCALE	3:4
DATE	10-Jan-08
TYPESIZE	A B
DRAWING NUMBER	2 OF 2
	375046

2	04/02/08	08-032	JTD
1	03/06/08	08-024	JTD

NOTE:
 The combination of facts, data, design elements, engineering data, manufacturing data and assembly data which may be contained in this drawing are of a proprietary nature to BKI. These materials are not to be used or copied without prior written permission from BKI. All rights are reserved.





2812 Grandview Dr., Simpsonville, S.C. 29680, USA
<http://www.bkideas.com>

Made and printed in the U.S.A
LI0297/0808

CS-TM-033.01

Revised 3/28/13

REVISION HISTORY

<u>REVISION</u>	<u>DATE</u>	<u>REVISED BY</u>	<u>DESCRIPTION</u>
01	03/28/13	KW	Initial Release-Supersedes all previous releases