

# Single Revolving Oven

MODEL SR, SR-2, SRW, SRC, KS & LMWS  
Service Manual



## BKI LIMITED WARRANTY

2812 Grandview Dr. • Simpsonville, SC 29680 • USA  
(864) 963-3471 • Toll Free: (800) 927-6887 • Fax: (864) 963-5316

### WHAT IS COVERED

This warranty covers defects in material and workmanship under normal use, and applies only to the original purchaser providing that:

- ☐ The equipment has not been accidentally or intentionally damaged, altered or misused;
- ☐ The equipment is properly installed, adjusted, operated and maintained in accordance with national and local codes, and in accordance with the installation and operating instructions provided with this product.
- ☐ The serial number rating plate affixed to the equipment has not been defaced or removed.

### WHO IS COVERED

This warranty is extended to the original purchaser and applies only to equipment purchased for use in the U.S.A.

### COVERAGE PERIOD

- ☐ Warranty claims must be received in writing by BKI within one (1) year from date of installation or within one (1) year and three (3) months from data of shipment from the factory, whichever comes first.
- ☐ COB Models: One (1) Year limited parts and labor.
- ☐ COM Models: Two (2) Year limited parts and labor. COM convection ovens also have a two (2) year door warranty.
- ☐ CO1 Models: Two (2) Year limited parts and labor. Five (5) Year limited door warranty.
- ☐ BevLes Products: Two (2) Year limited parts and labor.
- ☐ Warranty period begins the date of dealer invoice to customer or ninety (90) days after shipment date from BKI, whichever comes first.

### WARRANTY COVERAGE

This warranty covers on-site labor, parts and reasonable travel time and travel expenses of the authorized service representative up to (100) miles round trip and (2) hours travel time and performed during regular, weekday business hours.

### EXCEPTIONS

Any exceptions must be pre-approved in advance and in writing by BKI. The extended door warranty on convection ovens years 3 through 5 is a parts only warranty and does not include labor, travel, mileage or any other charges.

### EXCLUSIONS

- ☐ Negligence or acts of God,
- ☐ Thermostat calibrations after (30) days from equipment installation date,
- ☐ Air and gas adjustments,
- ☐ Light bulbs,
- ☐ Glass doors and door adjustments,
- ☐ Fuses,
- ☐ Adjustments to burner flames and cleaning of pilot burners,
- ☐ Tightening of screws or fasteners,
- ☐ Failures caused by erratic voltages or gas suppliers,
- ☐ Unauthorized repair by anyone other than a BKI Factory Authorized Service Center,
- ☐ Damage in shipment,
- ☐ Alteration, misuse or improper installation,
- ☐ Thermostats and safety valves with broken capillary tubes,
- ☐ Freight - other than normal UPS charges,
- ☐ Ordinary wear and tear,
- ☐ Failure to follow installation and/or operating instructions,
- ☐ Events beyond control of the company.

### INSTALLATION

Leveling, as well as proper installation and check out of all new equipment - per appropriate installation and use materials - is the responsibility of the dealer or installer, not the manufacturer.

### REPLACEMENT PARTS

BKI genuine Factory OEM parts receive a (90) day materials warranty effective from the date of installation by a BKI Factory Authorized Service Center.

---

# Table of Contents

<b>Table of Contents</b> .....	<b>1</b>
<b>Introduction</b> .....	<b>2</b>
Safety Precautions.....	2
Safety Signs and Messages.....	2
Safe Work Practices.....	3
Health And Sanitation Practices.....	5
Food Handling.....	5
Storage Of Raw Meats.....	5
Coding Cooked Foods.....	5
Storage Of Prepared Foods.....	5
<b>Maintenance</b> .....	<b>6</b>
Scheduled Maintenance.....	6
Oven Cleaning.....	6
Troubleshooting.....	7
<b>Replacement Parts</b> .....	<b>8</b>
SR Parts List.....	8
KS Parts List.....	16
SR-2 Parts List.....	20
SRC Parts List.....	26
SRW Parts List.....	32
LMWS Parts List.....	35
Accessories.....	37
<b>Wiring Diagrams</b> .....	<b>38</b>

---

## Introduction

The units covered in this manual are single revolving rotisserie ovens containing tubular heating elements, manual electronic controls, quartz tube lamps and doors with tempered glass.

The **BKI** name and trademark on this unit assures you of the finest in design and engineering -- that it has been built with care and dedication -- using the best materials available. Attention to the operating instructions regarding proper installation, operation, and maintenance will result in long lasting dependability to ensure the highest profitable return on your investment.

### **NOTICE**

PLEASE READ THIS ENTIRE MANUAL BEFORE OPERATING THE UNIT. If you have any questions, please contact your **BKI** Distributor. If they are unable to answer your questions, contact the **BKI** Technical Service Department, toll free: 1-800-927-6887. Outside the U.S., call 1-864-963-3471.

### **Safety Precautions**

Always follow recommended safety precautions listed in this manual. Below is the safety alert symbol. When you see this symbol on your equipment, be alert to the potential for personal injury or property damage.



### **Safety Signs and Messages**

The following Safety signs and messages are placed in this manual to provide instructions and identify specific areas where potential hazards exist and special precautions should be taken. Know and understand the meaning of these instructions, signs, and messages. Damage to the equipment, death or serious injury to you or other persons may result if these messages are not followed.

#### **⚠ DANGER**

This message indicates an imminently hazardous situation which, if not avoided, will result in death or serious injury.

#### **⚠ WARNING**

This message indicates a potentially hazardous situation, which, if not avoided, could result in death or serious injury.

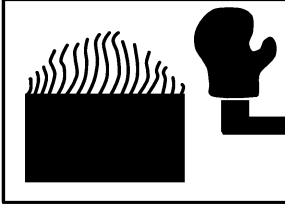
#### **⚠ CAUTION**

This message indicates a potentially hazardous situation, which, if not avoided, may result in minor or moderate injury. It may also be used to alert against unsafe practices.

#### **NOTICE**

This message is used when special information, instructions or identification are required relating to procedures, equipment, tools, capacities and other special data.

## Safe Work Practices



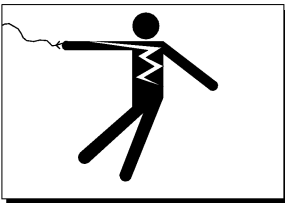
### Wear Safe Clothing Appropriate To Your Job

Always wear your insulated mitts when handling hot racks or touch any hot metal surface. If you lose or damage your mitts, you can buy new ones at your local restaurant equipment supply store or from your local **BKI** Distributor.

Always wear non-skid shoes when working around the oven or any other equipment.

Never wear loose clothing such as neckties or scarves while operating this equipment. Keep loose hair tied back or in a hair net while operating this equipment.

Always wear appropriate personal protection equipment during the cleaning process to guard against possible injury from hot cleaning solution.



### Beware of High Voltage

This equipment uses high voltage. Serious injury can occur if you or any untrained or unauthorized person installs, services, or repairs this equipment. Always Use an Authorized Service agent to Service Your Equipment.



### Keep this manual with the Equipment

This manual is an important part of your equipment. Always keep it near for easy access. If you need to replace this manual, contact:

#### **BKI**

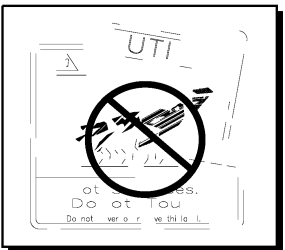
Technical Services Department  
2812 Grandview Drive  
Simpsonville, S.C. 29680  
Or call toll free: 1-800-927-6887  
Outside the U.S., call 864-963-3471



### Protect Children

Keep children away from this equipment. Children may not understand that this equipment is dangerous for them and others.

NEVER allow children to play near or operate your equipment.

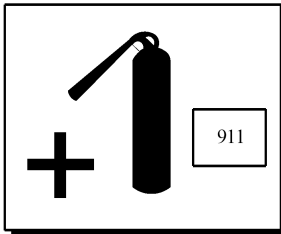


### Keep Safety Labels Clean and in Good Condition

Do not remove or cover any safety labels on your equipment. Keep all safety labels clean and in good condition. Replace any damaged or missing safety labels. If you need a new safety label contact:

#### **BKI**

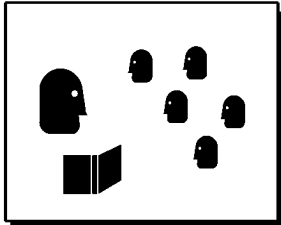
Technical Services Department  
2812 Grandview Drive  
Simpsonville, S.C. 29680  
Or call toll free: 1-800-927-6887  
Outside the U.S., call 864-963-3471

**Be Prepared for Emergencies**

Be prepared for fires, injuries, or other emergencies.

Keep a first aid kit and a fire extinguisher near the equipment. You must use a 40-pound Type BC fire extinguisher and keep it within 25 feet of your equipment.

Keep emergency numbers for doctors, ambulance services, hospitals, and the fire department near your telephone.

**Know your responsibilities as an Employer**

- Make certain your employees know how to operate the equipment.
- Make certain your employees are aware of the safety precautions on the equipment and in this manual.
- Make certain that you have thoroughly trained your employees about operating the equipment safely.
- Make certain the equipment is in proper working condition. If you make unauthorized modifications to the equipment, you will reduce the function and safety of the equipment.

## **Health And Sanitation Practices**

**BKI** Rotisserie Ovens are manufactured to comply with health regulations and are tested and certified to NSF standards. You must operate the equipment properly, using only quality products and use meat thermometers to insure meats are thoroughly cooked.

### **Food Handling**

- Wash hands thoroughly in warm, soapy water after handling raw poultry or meats.
- Clean and sanitize all utensils and surfaces that have been in contact with raw products. Clean and sanitize the meat forks or baskets between cooking.
- **Never** place cooked meats on the same surfaces used to prepare raw meats, unless the area has been thoroughly cleaned and sanitized.

### **Storage Of Raw Meats**

- Designate an area or shelf strictly for the storage of all raw meats to be used in the rotisserie.
- Raw product must always be stored at temperatures below 38° F. (3° C.).
- **Never** store or mix raw foods above cooked foods, as this is a health hazard. The drippings from raw foods contaminate cooked or processed foods.
- All chicken and chicken parts to be stored overnight must be thoroughly iced down and refrigerated.

### **Coding Cooked Foods**

All products cooked during the day should be sold the same day.

**NOTE:** It is not the intent of the rotisserie program to have unsold merchandise at the end of the cooking day. Follow your company's procedures for the handling of any leftover product.

### **Storage Of Prepared Foods**

- Cold foods should be kept at or below 38° F. (3° C.).
- Hot foods must be maintained to meet local health codes, usually a minimum 145° F. (63° C.).

## Maintenance

**⚠ CAUTION**

Failure to comply with the maintenance below could result in a serious accident or equipment damage.

**⚠ DANGER**

Failure to remove power from this unit before performing maintenance may cause severe electrical shock. This unit may have more than one disconnect switch.

### ***Scheduled Maintenance***

#### **Oven Cleaning**

The oven must be cleaned at the end of each business day. Cleaning is not only necessary for sanitary reasons, but will increase sales appeal and maximize operating efficiency.

**⚠ DANGER**

Failure to remove power from this unit may cause severe electrical shock. This unit may have more than one disconnect switch.

**⚠ CAUTION**

Using abrasive cleaners may damage the cabinet finish. Use only a mild soap and water solution.

DO NOT USE OVEN CLEANER on this machine. Caustic cleaners can cause damage to the machine.

Never steam clean or get excess water in the interior of the cabinet as this can damage unit.

Always wear appropriate personal protection equipment during the cleaning process to guard against possible injury from hot cleaning solution.

1. Turn off all switches and controls.
2. Let the oven cool to room temperature.
3. Pull grease drawer out of oven and empty it's contents.
4. Clean grease drawer and tray area with hot soapy water.
5. Remove all food products from the unit. Remove all racks, trays, spits and frames from the unit and place them in a large sink to soak in hot cleaning solution (**BKI** Cleaner).
6. Clean the outside and inside of the rotisserie oven with warm water, a sponge and an approved cleaner which is authorized for use on food surface areas.
7. Clean racks, trays, spits and frames with warm water, a sponge and BK Cleaner. Wipe dry with a clean cloth.
8. Reassemble the oven.



## Troubleshooting

Problem	Cause	Possible Solution
Unit will not turn on.	Power to unit is not on. Problem with building power panel, circuit breaker or fuse.	Check circuit breaker or fuses at building power panel. If problem persists, contact an authorized electrician for corrective action.
	Power cord may not be plugged into outlet.	Plug cord into outlet.
	Blown fuse.	Contact an authorized <b>BKI</b> service agent for corrective action.
Not rotating.	Motor circuit breaker tripped.	Press the reset button. If problem persists, contact an authorized <b>BKI</b> service agent for corrective action.
	ROTOR switch may not be activated.	Make sure the ROTOR switch is on.
	V-belt is loose or broken.	Contact an authorized <b>BKI</b> service agent for corrective action.
Rotor switch not functioning.	Defective switch.	Contact an authorized <b>BKI</b> service agent for corrective action.
Oven does not heat at all.	Improper program settings.	Check program settings.
	Heating elements not functioning.	Contact an authorized <b>BKI</b> service agent for corrective action.
	Bad relay.	Contact an authorized <b>BKI</b> service agent for corrective action.
	Doors may not be closed.	Close the doors.
Oven heats up slowly.	Improper line voltage.	Check incoming voltage. If problem persists, contact an authorized <b>BKI</b> service agent for corrective action.
	Heating elements not functioning.	Contact an authorized <b>BKI</b> service agent for corrective action.

## Replacement Parts

Use the information in this section to identify replacement parts. To order replacement parts, call your local **BKI** sales and service representative. Before calling, please note the serial number on the rating tag affixed to the unit.

### SR Parts List

Figure 1. SR Oven

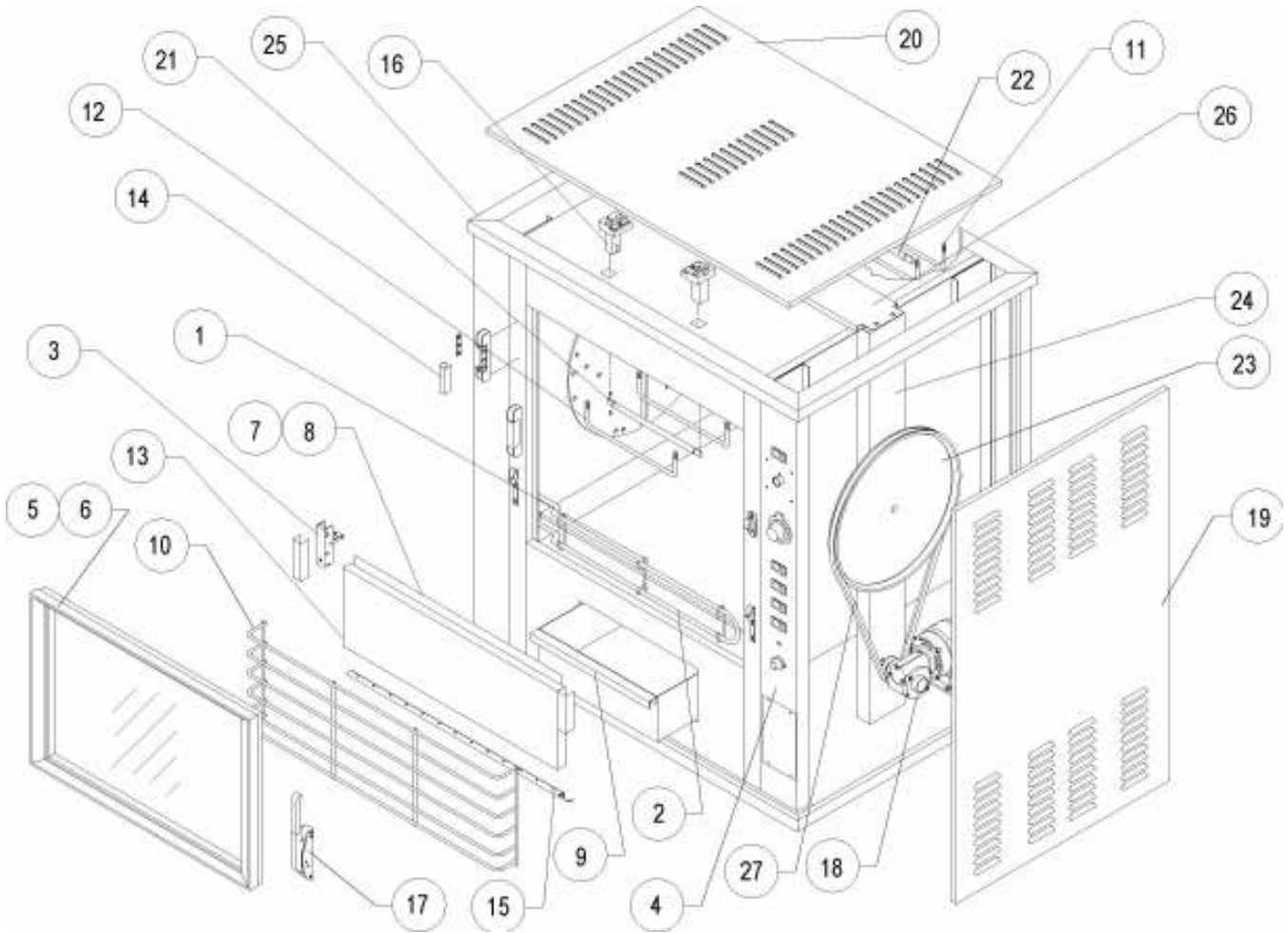


Table 1. SR Oven Parts

ITEM #	PART #	QTY	DESCRIPTION	FIGURE #	TABLE #
1	B0452B	2	CALROD BRACKET ASSY, SR	Figure 1	Table 1
2	C0001 or C0004 or C0002	2	CALROD, 208V 2500W OFFSET or CALROD, 208V 2500W STRAIGHT or CALROD, 240V 2500W OFFSET	Figure 1	Table 1
3	SB0045	2	CATCH SPRING SUBASSY	Figure 1	Table 1
4	AN10100100	1	CTL PNL SR 120/208/60/3 N0 H/S	Figure 1 Figure 2	Table 1 Table 2
5	SB0049	1	DOOR ASSY, LH SR	Figure 1	Table 1
6	SB0005	1	DOOR ASSY, RH SR	Figure 1	Table 1
7	SB0218	2	DROP DOWN PNL ASSY S/S SR	Figure 1	Table 1
8	SB0085	2	DROP DOWN PNL LESS CATCH S/S	Figure 1	Table 1
9	SB0222	1	GREASE DRAWER ASSY, S/S SR'S	Figure 1	Table 1
10	G0022	2	GUARD, GRILL 6 BAR (BOTTOM)	Figure 1	Table 1
11	LMWSA019	2	GUARD, QUARTZ TUBE (1000W)	Figure 1	Table 1
12	KSA039	2	GUARD, QUARTZ TUBE (500W)	Figure 1	Table 1
13	H0001	2	HINGE, DOOR 7/8 OFFSET	Figure 1	Table 1
14	SRA061	2	HEAT LOC STRIP, 7 7/8"	Figure 1	Table 1
15	H0061	1	HINGE, DRP DN OLF SS PIN 1267A	Figure 1	Table 1
16	LH0003	4	LAMPHOLDER, QUARTZ TUBE	Figure 1	Table 1
17	L0004	1	LATCH, #533D	Figure 1	Table 1
18		1	MOTOR MOUNT	Figure 1 Figure 3	Table 1 Table 3
19	SRA033	2	MOTOR COVER SR	Figure 1	Table 1
20	SRA076	1	OUTSIDE TOP,	Figure 1	Table 1
21	HT0016	1	QUARTZ TUBE, 115-125V QH500T3	Figure 1	Table 1
22	HT0002 or HT0003	1	QUARTZ TUBE, 200-220V QH1000T3 or QUARTZ TUBE, 230-250V QH1000T3	Figure 1	Table 1
23		1	ROTOR ASSEMBLY	Figure 1 Figure 4	Table 1 Table 4
24	SB0007	2	SIDE STIFFENER ASSY SR	Figure 1	Table 1
25	SB0111	1	TOP OUTSIDE FRAME WELD ASSY KS	Figure 1	Table 1
26	SRWA026	1	TOP STIFFNER SRW	Figure 1	Table 1
27	VB0005	1	V-BELT, 4L-740	Figure 1	Table 1

Figure 2. SR Control Panel

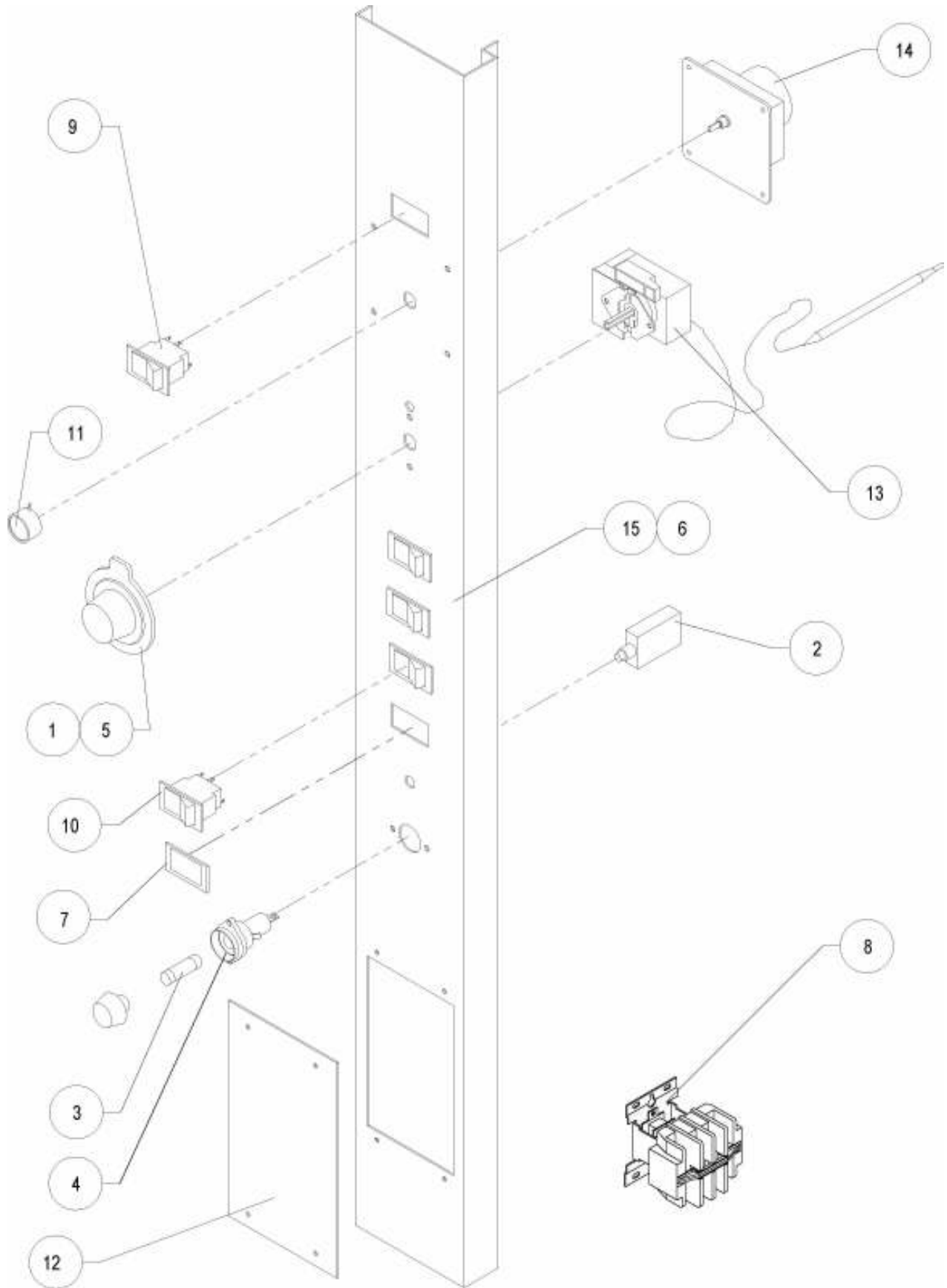
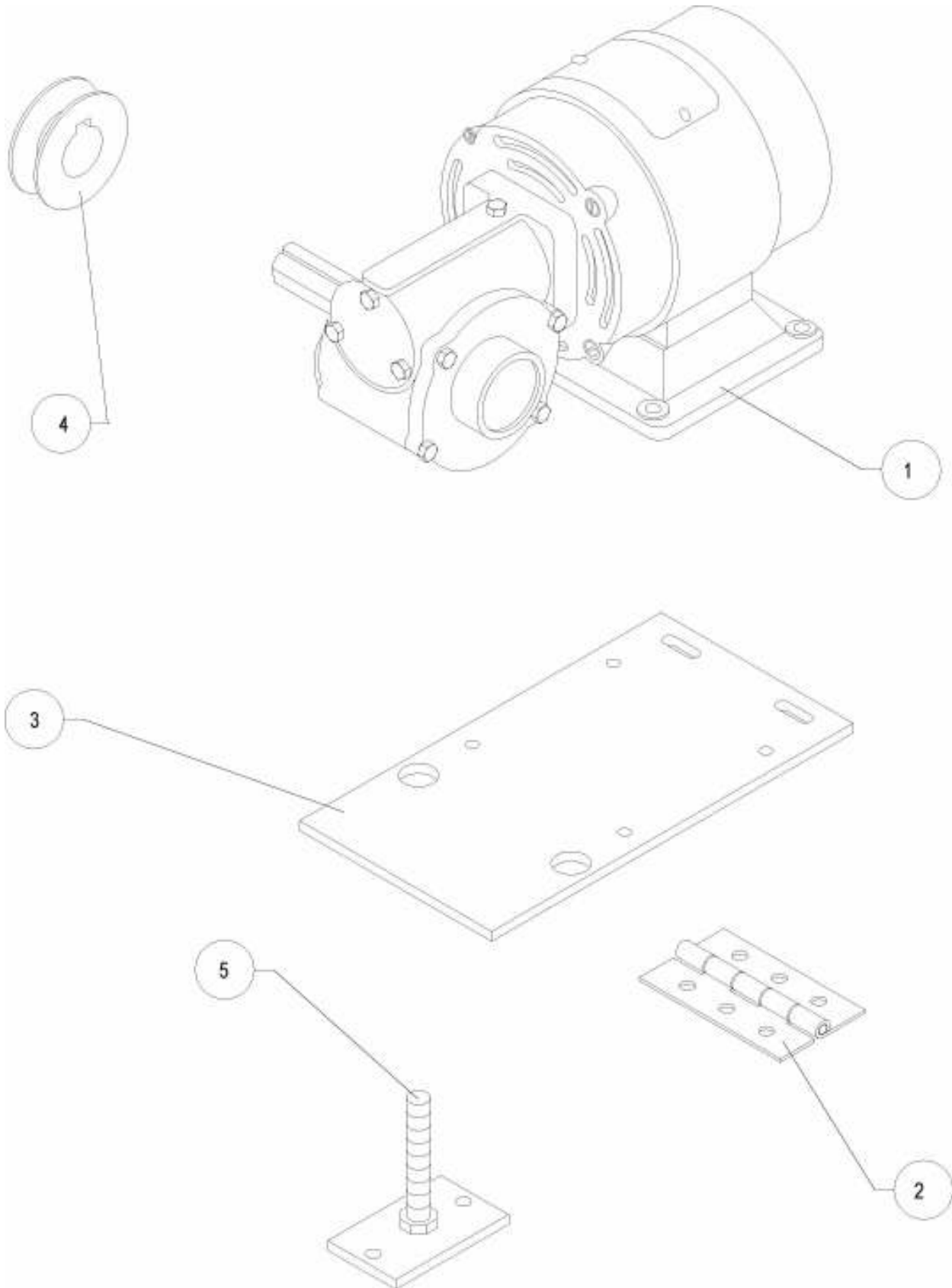


Table 2. SR Control Panel Parts

ITEM #	PART #	QTY	DESCRIPTION
1	B1050	1	BEZEL, ROBERTSHAW THERMOSTAT
2	CB0050	1	BREAKER, CIRCUIT 3 AMP 250V
3	F0097	1	FUSE, 15A 300V SC15 TIME DELAY
4	FH0001	1	FUSE HOLDER, 15A 300V HPF-EE
5	K0028	1	KNOB, T-STAT BLK 450DEG
6	N0232	1	DECAL, CONTROL PANEL SR
7	P0084	1	PLUG, DUMMY 5X2-71-XX BL MATTE
8	R0001	1	RELAY, 4 POLE 110/120V
9	S0103	1	SWITCH, RKR DPST 15A 250V LAMP
10	S0107	3	SWITCH, RKR SPST 15A 125V LAMP
11	K0033	1	KNOB, 3 HR TIMER TI0009
12	SRA089	1	INSPECTION PLATE CONTROL PANEL
13	T0005	1	THERMOSTAT, 115-277V 450 DEG SGLPOLE
14	TI0009	1	TIMER, 3 HR
15	SRA047	1	PANEL, CONTROL SR

Figure 3. SR Motor Mount



---

**Table 3. SR Motor Mount Parts**

ITEM #	PART #	QTY	DESCRIPTION
	SB0034	1	MOTOR MTG ASSY, 115V SR LMWS
1	M0064	1	MOTOR, 42R3BF5I-5L 115V 50/60
2	H0019	1	HINGE, 3 1/8" BUTT
3	SR2A037	1	MOTOR MOUNT PLATE, BB, LMWS
4	P0017	1	PULLEY, AS 20 X 5/8
5	SB0025	1	MTG PLATE & SCREW WELD, SR

Figure 4. SR Rotor Assembly

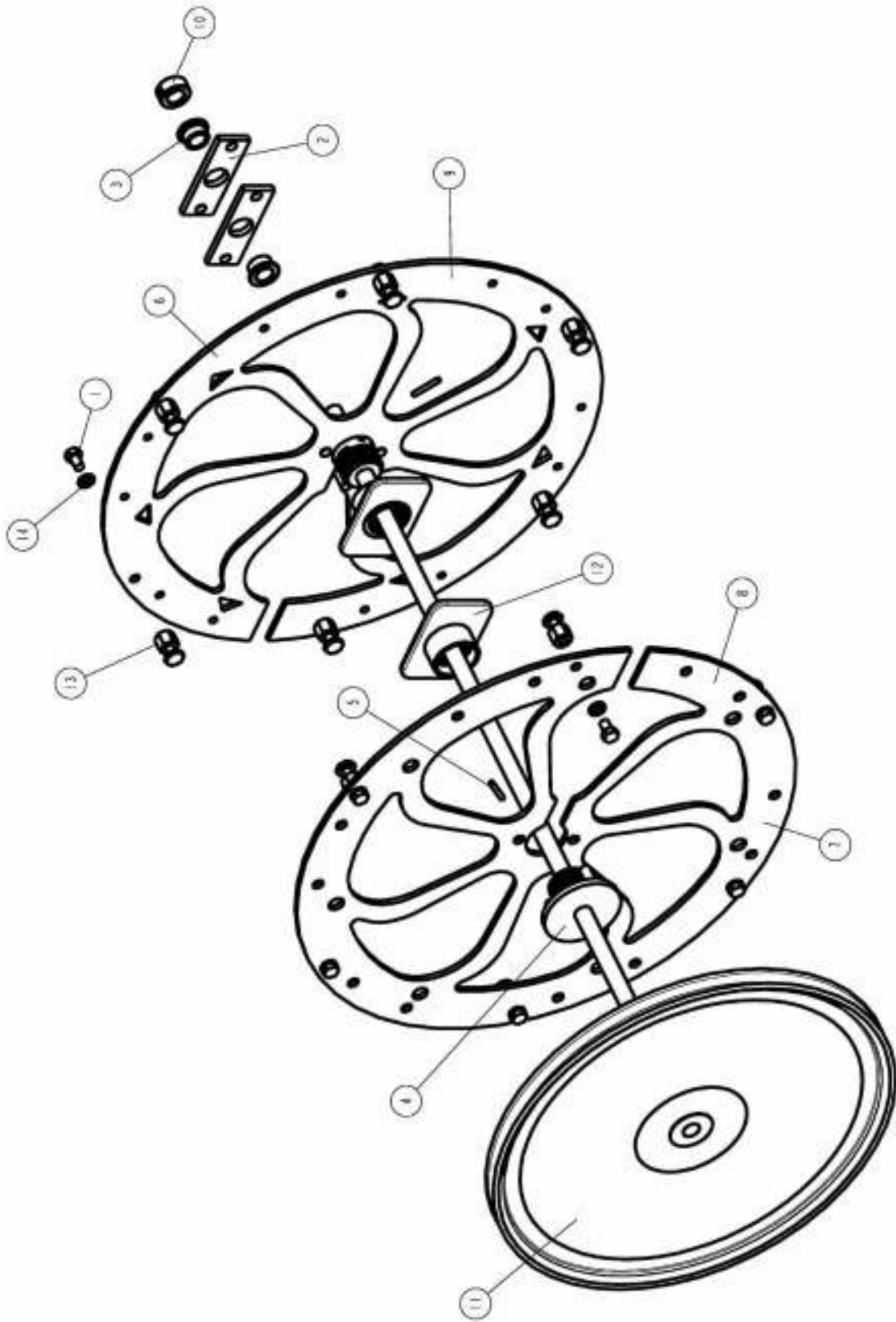




Table 4. SR Rotor Assembly Parts

ITEM #	PART #	QTY	DESCRIPTION
1 <sup>a &amp; b</sup>	<a href="#">SCR384</a>	12	SCREW, 5/16-18 X 1/2 S/S HEX
2	<a href="#">SRA058</a>	4	BEARING BLOCK 5/8 SHAFT
3	<a href="#">B0204</a>	4	BEARING, TZ002591
4	<a href="#">H0081</a>	2	HUB, SR KNOCK OFF SPIDER TYPE
5	<a href="#">F0077</a>	2	ROLL PIN, 5/32 X 1 1/8
6	<a href="#">AN10504800</a>	1	ROTOR ASSY, "V" SIDE
7	<a href="#">AN10513900</a>	1	ROTOR ASSY, PIN SIDE
8 <sup>a</sup>	<a href="#">RO0036</a>	1	ROTOR, PIN SIDE SR MSR ( <a href="#">AN10513900</a> )
9 <sup>b</sup>	<a href="#">RO0023</a>	1	ROTOR, POINT SIDE MODULAR UNIT ( <a href="#">AN10504800</a> )
10	<a href="#">FT0031</a>	1	COLLAR, 5/8 SET LSC-10
11	<a href="#">WN10504600</a>	1	SHAFT/PULLEY WELD
12	<a href="#">H0082</a>	2	SPINNER, SR KNOCK OFF HUB
13 <sup>a &amp; b</sup>	<a href="#">P0085</a>	6	PIN, STAND OFF 1.125"
14 <sup>a &amp; b</sup>	<a href="#">WSH101</a>	12	WASHER, 5/16 INT LOCK

a - Part of [AN10513900](#).

b - Part of [AN10504800](#)

KS Parts List

Figure 5. KS Oven

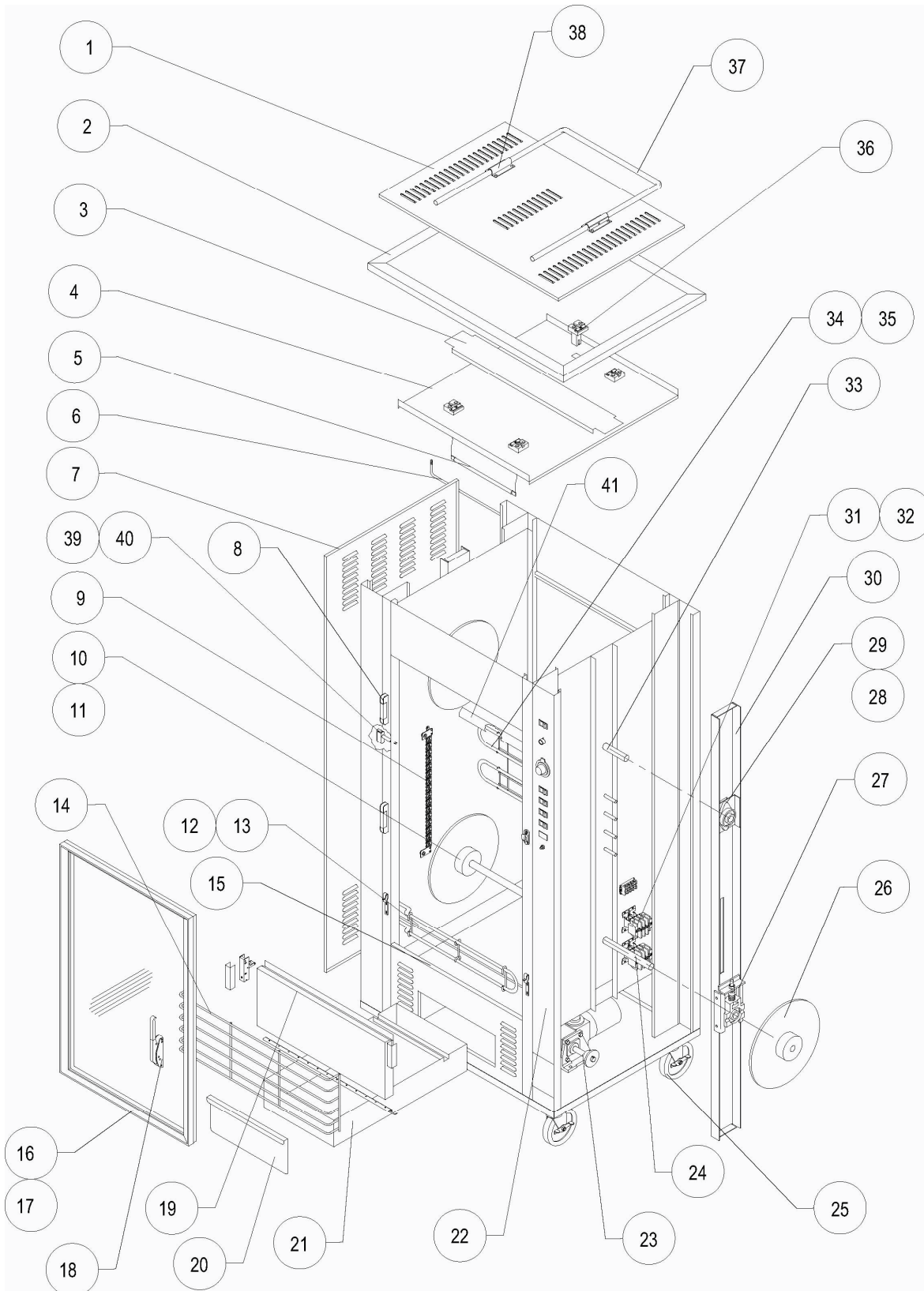


Table 5. KS Oven Parts

ITEM #	PART #	QTY	DESCRIPTION	FIGURE #	TABLE #
1	<a href="#">KSA110</a>	2	TOP INSIDE PANEL, S/S	Figure 5	Table 5
2	<a href="#">SB0111</a>	1	TOP OUTSIDE FRAME WELD ASSY KS	Figure 5	Table 5
3	<a href="#">SRWA026</a>	1	TOP STIFFNER SRW	Figure 5	Table 5
4	<a href="#">SB0112</a>	1	TOP, OUTSIDE W/STAND OFF ROD	Figure 5	Table 5
5	<a href="#">HT0016</a> or <a href="#">HT0002</a> or <a href="#">HT0003</a>	1	QUARTZ TUBE, 115-125V QH500T3 or QUARTZ TUBE, 200-220V QH1000T3 or QUARTZ TUBE, 230-250V QH1000T3	Figure 5	Table 5
6	<a href="#">HCA014</a>	4	GUARD, LAMPHOLDER PLATE SR KS LMWS	Figure 5	Table 5
7	<a href="#">KSA035</a>	2	MOTOR COVER, KS	Figure 5	Table 5
8	<a href="#">H0001</a>	2	HINGE, DOOR 7/8 OFFSET	Figure 5	Table 5
9	<a href="#">SB0608</a>	2	CHAIN ASSY, KS 13 LINK	Figure 5	Table 5
10	<a href="#">S0023B</a>	4	SPROCKET, KS PTFE COATED	Figure 5	Table 5
11	<a href="#">S0034</a>	2	SEAL, RULON "A" BUSHING	Figure 5	Table 5
12	<a href="#">C0001</a> or <a href="#">C0002</a>	2	CALROD, 208V 2500W OFFSET or CALROD, 240V 2500W OFFSET	Figure 5	Table 5
13	<a href="#">B0452B</a>	2	CALROD BRACKET ASSY, SR	Figure 5	Table 5
14	<a href="#">G0022</a>	2	GUARD, GRILL 6 BAR (BOTTOM)	Figure 5	Table 5
15	<a href="#">KSA080</a>	2	HEAT LOC STRIP	Figure 5	Table 5
16	<a href="#">SB0602</a> or <a href="#">SB0683</a>	1	DOOR ASSY RH KS <a href="#">L0004</a> LATCH or DOOR ASSY RH KS <a href="#">L0103</a> LATCHKET	Figure 5	Table 5
17	<a href="#">SB0627</a> or <a href="#">SB0684</a>	1	DOOR ASSY LH KS <a href="#">L0004</a> LATCH or DOOR ASSY LH KS <a href="#">L0103</a> LATCH	Figure 5	Table 5
18	<a href="#">L0004</a>	1	LATCH, #533D	Figure 5	Table 5
19	<a href="#">SB0678</a> or <a href="#">SB0601</a>	1 or 2	DROP DOWN PANEL ASSY S/S or DROP DOWN PNL S/S KS	Figure 5	Table 5
20	<a href="#">KSA009</a>	1	DRAWER, GREASE, FRONT	Figure 5	Table 5
21	<a href="#">SB0221</a>	1	GREASE DRAWER WELD, S/S SR	Figure 5	Table 5
22	<a href="#">AN60000100</a> or <a href="#">AN60000200</a> or <a href="#">AN60000300</a> or <a href="#">SB0644</a>	1	CTL PNL KS 120/208/60/3 NO H/S&G/S or CTL PNL KS 220/380/50/3 NO H/S&G/S or CTL PNL KS 220/60/3 or CTL PNL KS 220/60/3	Figure 5 Figure 6	Table 5 Table 6
23	<a href="#">SB0620</a>	1	MOTOR MOUNT ASSY, KS	Figure 5	Table 5
24	<a href="#">KSA099</a>	1	SHAFT 1 X 38.062 W/KEYWAY KS	Figure 5	Table 5
25	<a href="#">C0406</a>	4	CASTER, W/TOP PLATE 5"	Figure 5	Table 5
26	<a href="#">S0024</a>	1	SPROCKET, DRIVE 50B70	Figure 5	Table 5
27	<a href="#">SB0607</a>	1	LOWER BEARING ADJ. WELD, KS	Figure 5	Table 5
28	<a href="#">KSA033</a>	1	BRACKET, UPPER BEARING, KS	Figure 5	Table 5
29	<a href="#">B0212</a>	1	BEARING, FAFNIR VCJT-1	Figure 5	Table 5
30	<a href="#">KSA027</a>	1	SIDE STIFFENER KS	Figure 5	Table 5
31	<a href="#">R0001</a>	1	RELAY, 4 POLE 110/120V	Figure 5	Table 5
32	<a href="#">R0002</a>	1	RELAY, 2 POLE 110/120V	Figure 5	Table 5
33	<a href="#">KSA098</a>	1	SHAFT 1 X 35.625 KS TOP	Figure 5	Table 5
34	<a href="#">B0451</a>	1	BRACKET, KS CTR CALROD	Figure 5	Table 5

ITEM #	PART #	QTY	DESCRIPTION	FIGURE #	TABLE #
35	C0004 or C0005	2	CALROD, 208V 2500W STRAIGHT or CALROD, 240V 2500W STRAIGHT	Figure 5	Table 5
36	LH0021	2	LAMPHOLDER, #62602 HI TEMP	Figure 5	Table 5
37	SPCA062	2	TUBING, KS TOP STAND OFF	Figure 5	Table 5
38	SPC309	2	BRACKET, STAND OFF SR	Figure 5	Table 5
39	SB0625	1	MICRO SWITCH BRKT ASSY KS (operator side)	Figure 5	Table 5
40	SB0626	1	MICRO SWITCH BRKT ASSY KS (customer side)	Figure 5	Table 5
41	SB0612	1	COVER, CALROD ASSY, KS	Figure 5	Table 5

Figure 6. KS Control Panel

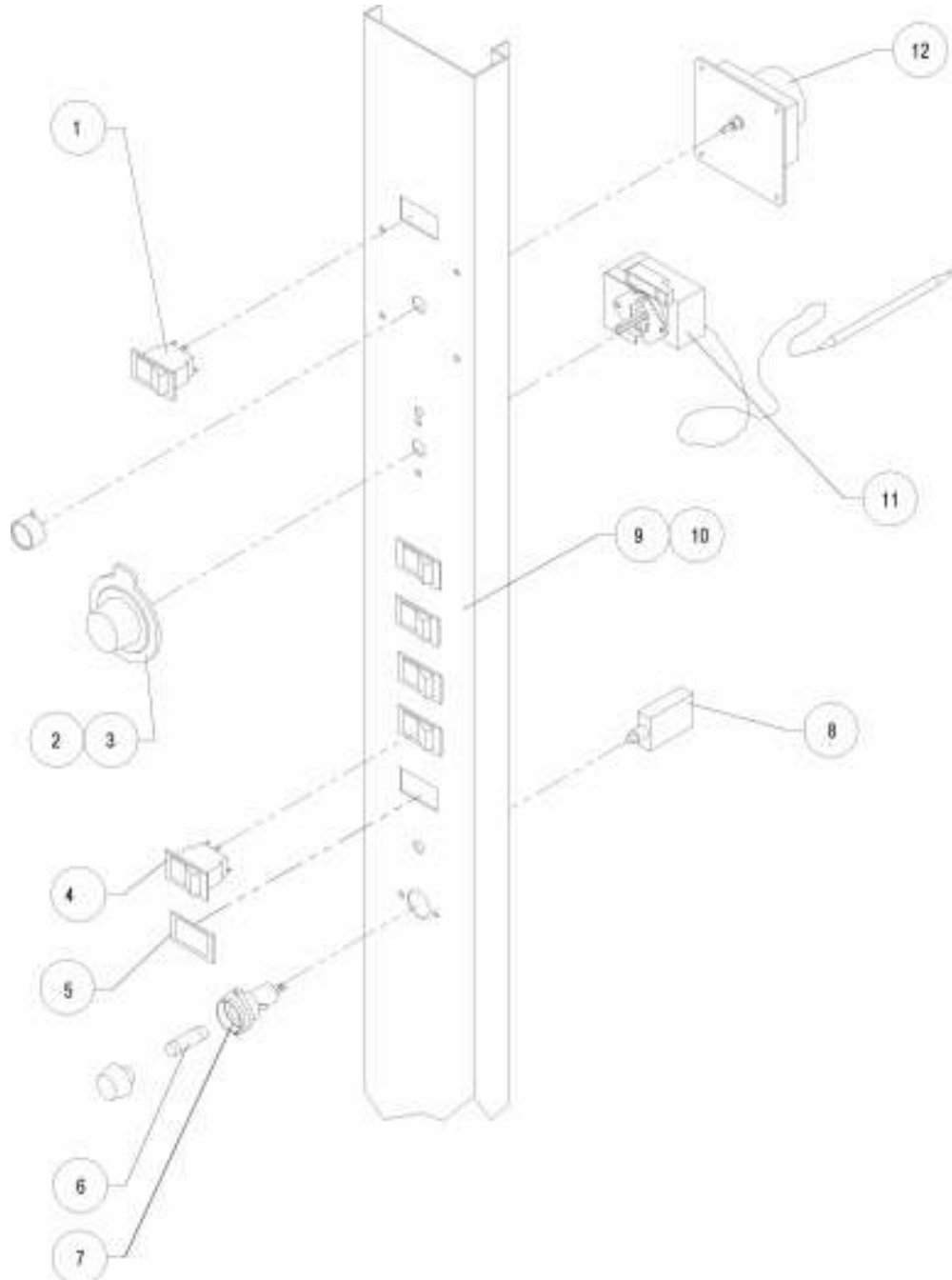


Table 6. KS Control Panel Parts

ITEM #	PART #	QTY	DESCRIPTION	FIGURE #	TABLE #
1	S0103	1	SWITCH, RKR DPST 15A 250V LAMP	Figure 6	Table 6
2	B1050	1	BEZEL, ROBERTSHAW THERMOSTAT	Figure 6	Table 6
3	K0028 or K0025	1	KNOB, T-STAT BLK 450DEG or KNOB, T-STAT 450 DEG FLAT@12	Figure 6	Table 6
4	S0107	4	SWITCH, RKR SPST 15A 125V LAMP	Figure 6	Table 6
5	P0084	2	PLUG, DUMMY 5X2-71-XX BL MATTE	Figure 6	Table 6
6	F0097	1	FUSE, 15A 300V SC15 TIME DELAY	Figure 6	Table 6
7	FH0001	1	FUSE HOLDER, 15A 300V HPF-EE	Figure 6	Table 6
8	CB0050	1	BREAKER, CIRCUIT 3 AMP 250V	Figure 6	Table 6
9	N0235	1	DECAL, CONTROL PANEL KS	Figure 6	Table 6
10	KSA021	1	PANEL, CONTROL KS	Figure 6	Table 6
11	T0005 or T0001	1	THERMOSTAT, 115-277V 450 DEG SGLPOLE or THERMOSTAT, 450 DEG 208V	Figure 6	Table 6
12	TI0009 or TI0018	1	TIMER, 3 HR or TIMER, 180 MIN 115V 50HZ	Figure 6	Table 6

**SR-2 Parts List**

Figure 7. SR-2 Oven (Sheet 1 of 2)

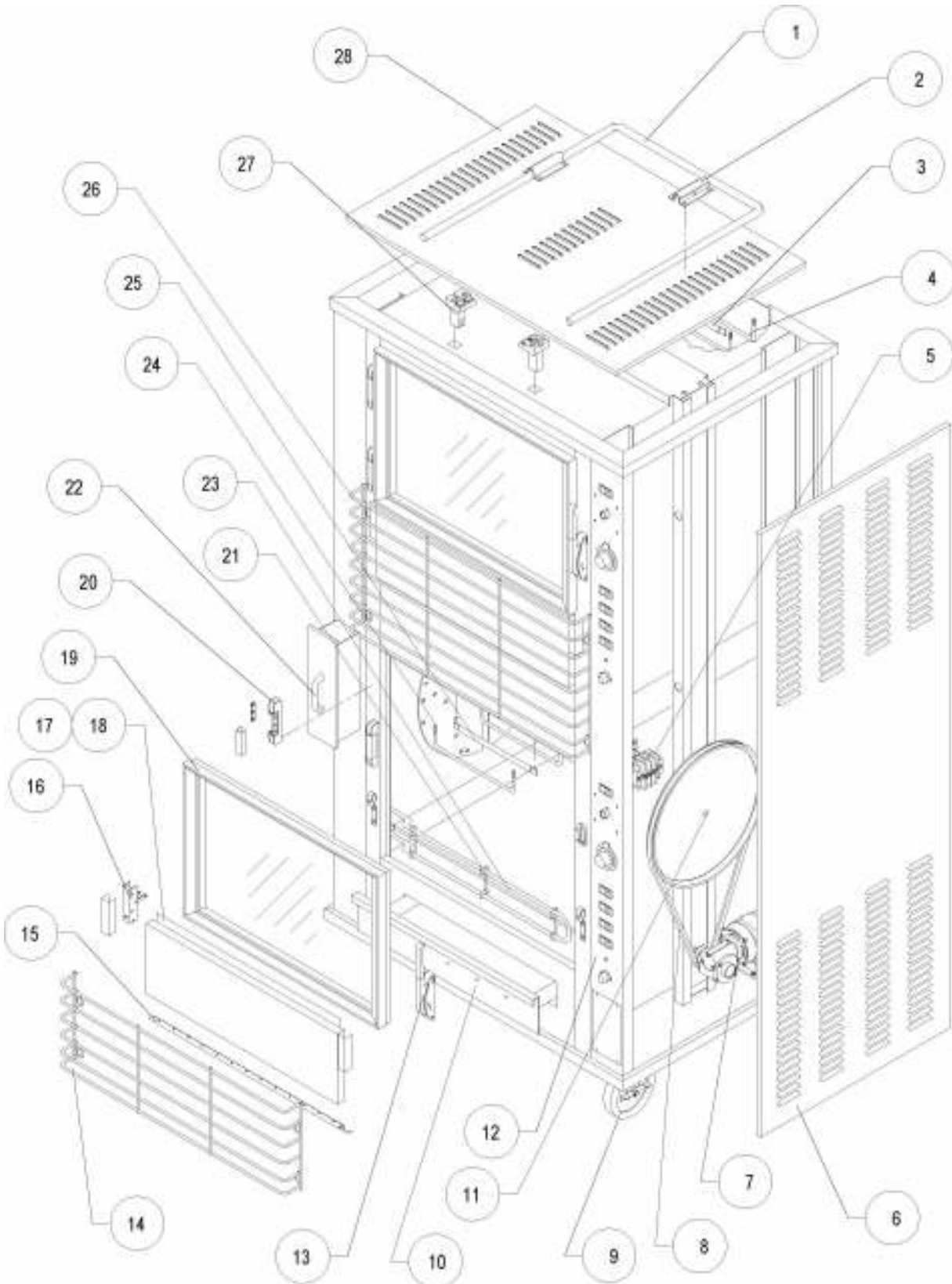




Figure 7. SR-2 Oven (Sheet 2 of 2)

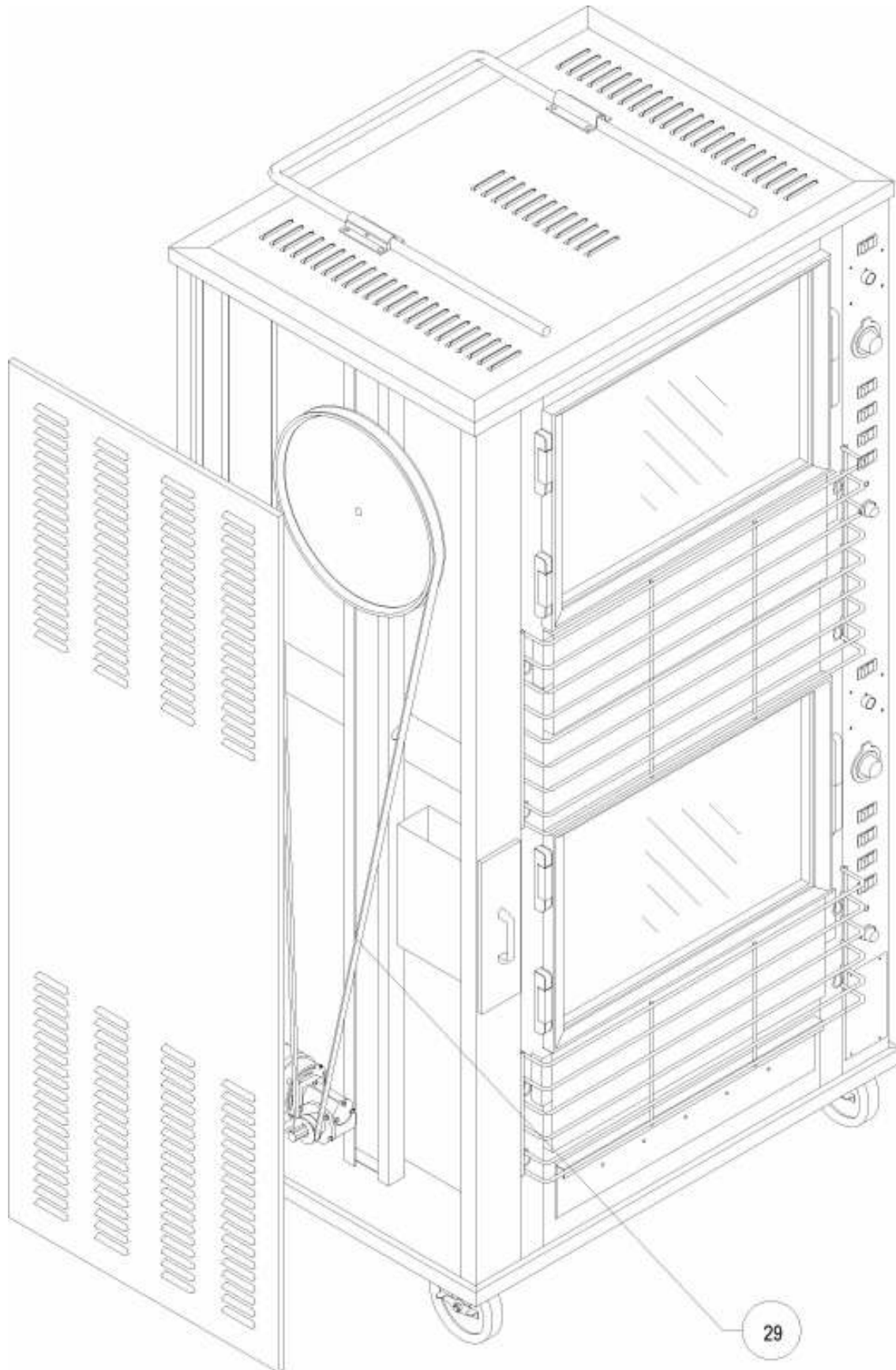


Table 7. SR-2 Oven Parts

ITEM #	PART #	QTY	DESCRIPTION	FIGURE #	TABLE #
1	SPCA062	1	TUBING, KS TOP STAND OFF	Figure 7	Table 7
2	SPC309	2	BRACKET, STAND OFF SR	Figure 7	Table 7
3	HT0002 or HT0003	2	QUARTZ TUBE, 200-220V QH1000T3 or QUARTZ TUBE, 230-250V QH1000T3	Figure 7	Table 7
4	LMWSA019	4	GUARD, QUARTZ TUBE (1000W)	Figure 7	Table 7
5	R0001 or R0003 or R0150	2	RELAY, 4 POLE 110/120V or RELAY, 4 POLE 240V or RELAY, 4 POLE 208-240 60 HZ	Figure 7	Table 7
6	SR2A035	2	MOTOR COVER SR2	Figure 7	Table 7
7			MOTOR MOUNT	Figure 7 Figure 8	Table 7 Table 8
8	VB0006		V-BELT, A-135D	Figure 7	Table 7
9	C0415	4	CASTER, 3"SWIVEL W/BREAK	Figure 7	Table 7
10	SB0107	1	GREASE DRAWER ASSY, BTM SR2	Figure 7	Table 7
11			ROTOR ASSEMBLY	Figure 7 Figure 4	Table 7 Table 4
12	AN11100100 or AN11100200 or AN11100300 or AN11100400	1	CTL PNL SR2 120/208-240/1-3 NO H/S or CTL PNL SR2 208-240 NO H/S or CTL PNL SR2 220/380/50/3 NO H/S or CTL PNL SR2 120/240/50/1 NO H/S	Figure 7 Figure 9	Table 7 Table 9
13	L0004	1	LATCH, #533D	Figure 7	Table 7
14	G0022	2	GUARD, GRILL 6 BAR (BOTTOM)	Figure 7	Table 7
15	H0061	4	HINGE, DRP DN OLF SS PIN 1267A	Figure 7	Table 7
16	SB0045	8	CATCH SPRING SUBASSY	Figure 7	Table 7
17	SB0085 or SB0218	4	DROP DOWN PNL LESS CATCH S/S or DROP DOWN PNL ASSY S/S SR	Figure 7	Table 7
18	SRA061	8	HEAT LOC STRIP, 7 7/8"	Figure 7	Table 7
19	SB0005 and SB0049	2 and 2	DOOR ASSY, RH SR and DOOR ASSY, LH SR	Figure 7	Table 7
20	H0061	8	HINGE, DRP DN OLF SS PIN 1267A	Figure 7	Table 7
21	B0452B	4	CALROD BRACKET ASSY, SR	Figure 7	Table 7
22	SB0126	1	SIDE GREASE DRAWER ASSY, SR'S	Figure 7	Table 7
23	C0001 or C0002	4	CALROD, 208V 2500W OFFSET or CALROD, 240V 2500W OFFSET	Figure 7	Table 7
24	KSA039	4	GUARD, QUARTZ TUBE (500W)	Figure 7	Table 7
25	HT0016	2	QUARTZ TUBE, 115-125V QH500T3	Figure 7	Table 7
26	G0023	2	GUARD, GRILL 9 BAR (TOP)	Figure 7	Table 7
27	LH0003	4	LAMPHOLDER, QUARTZ TUBE	Figure 7	Table 7
28	SB0112	1	TOP, OUTSIDE W/STAND OFF ROD	Figure 7	Table 7
29	VB0005	1	V-BELT, 4L-740	Figure 7	Table 7



Figure 8. SR-2 Motor Mount

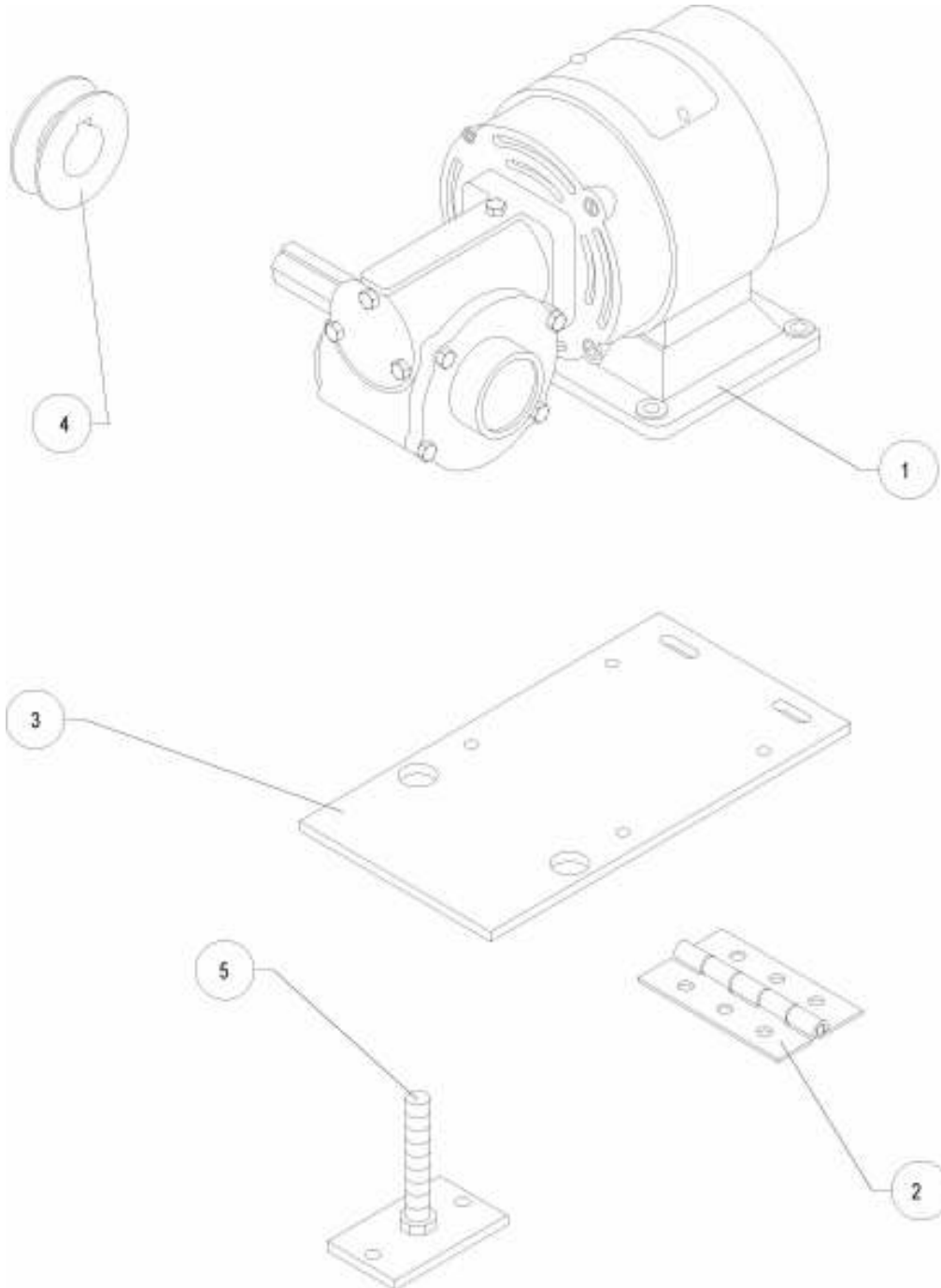


Table 8. SR-2 Motor Mount Parts

ITEM #	PART #	QTY	DESCRIPTION
1	M0033 or M0064	2	MOTOR, 208/230V 50/60 CYCLE or MOTOR, 42R3BFSI-5L 115V 50/60
2	H0019	2	HINGE, 3 1/8" BUTT
3	SR2A037	2	MOTOR MOUNT PLATE, BB, LMWS
4	P0017	2	PULLEY, AS 20 X 5/8
5	SB0026	4	MTG PLATE & SCREW WELD, SR-2

Figure 9. SR-2 Control Panel

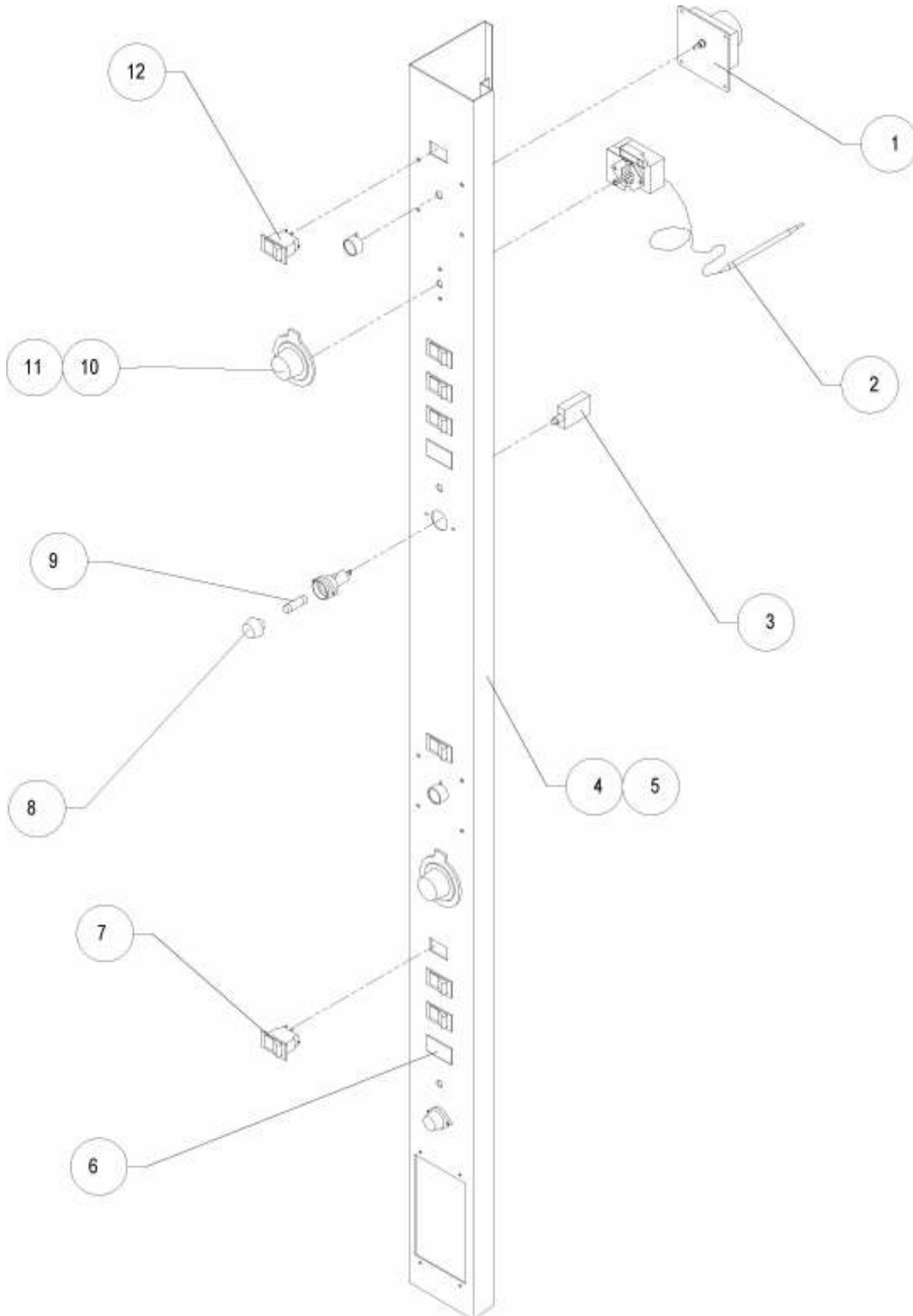


Table 9. SR-2 Control Panel Parts

ITEM #	PART #	QTY	DESCRIPTION
1	TI0009 or TI0018	2	TIMER, 3 HR or TIMER, 180 MIN 115V 50HZ
2	T0001 or T0005	2	THERMOSTAT, 450 DEG 208V or THERMOSTAT, 115-277V 450 DEG SGLPOLE
3	CB0050 or CB0058	2	BREAKER, CIRCUIT 3 AMP 250V or BREAKER, CIRCUIT 1 AMP 250V
4	SR2A010	1	CTL PNL SR2
5	N0232 and N0422	1	DECAL, CONTROL PANEL SR and DECAL, CONTROL PANEL BOTT SR2
6	P0084	2	PLUG, DUMMY 5X2-71-XX BL MATTE
7	S0107	6	SWITCH, RKR SPST 15A 125V LAMP
8	F0097	2	FUSE, 15A 300V SC15 TIME DELAY
9	FH0001	2	FUSE HOLDER, 15A 300V HPF-EE
10	B1050	2	BEZEL, ROBERTSHAW THERMOSTAT
11	K0025 or K0028	2	KNOB, T-STAT 450 DEG FLAT@12 or KNOB, T-STAT BLK 450DEG
12	S0103	2	SWITCH, RKR DPST 15A 250V LAMP

**SRC Parts List**

*Figure 10. SRC Oven (Sheet 1 of 2)*

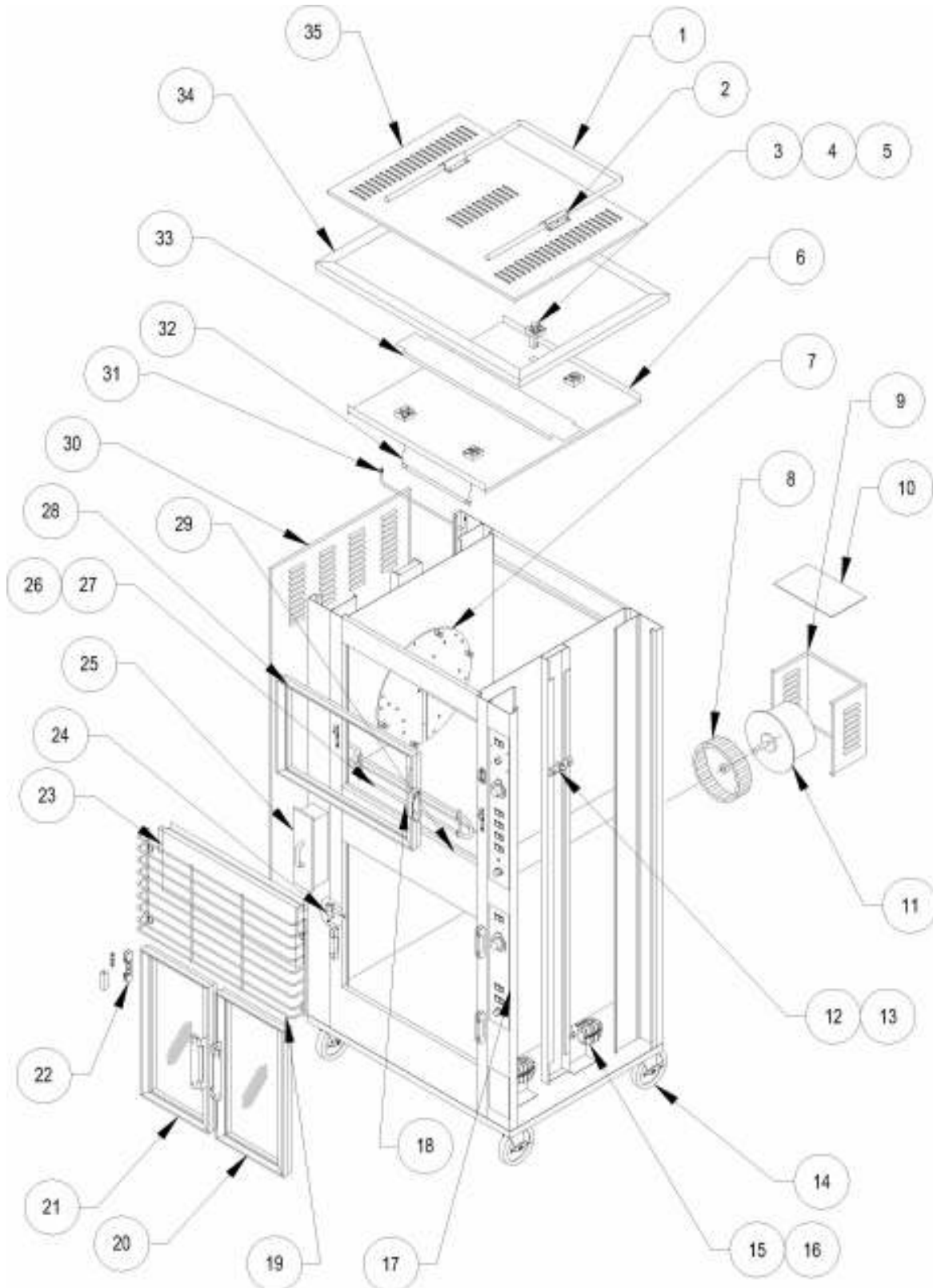


Figure 10. SRC Oven (Sheet 2 of 2)

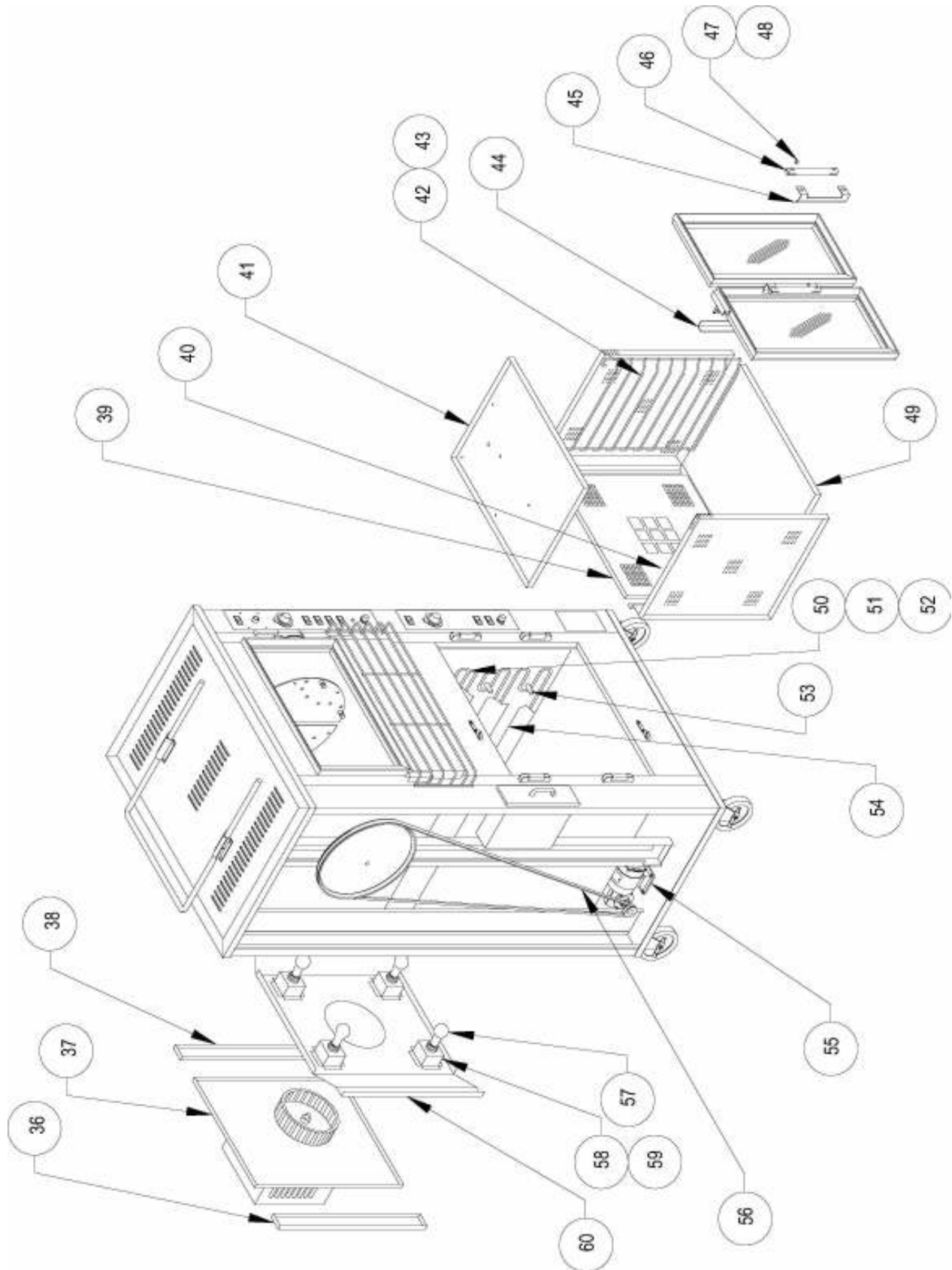


Table 10. SRC Oven Parts

ITEM #	PART #	QTY	DESCRIPTION	FIGURE #	TABLE #
1	SPCA062	1	TUBING, KS TOP STAND OFF	Figure 10	Table 10
2	SPC309	2	BRACKET, STAND OFF SR	Figure 10	Table 10
3	HT0016	1	QUARTZ TUBE, 115-125V QH500T3	Figure 10	Table 10
4	LH0003	4	LAMPHOLDER, QUARTZ TUBE	Figure 10	Table 10
5	KSA039	2	GUARD, QUARTZ TUBE (500W)	Figure 10	Table 10
6	SRCA083	1	INSIDE TOP, S/S	Figure 10	Table 10
7			ROTOR ASSEMBLY	Figure 10 Figure 4	Table 10 Table 4
8	F0099	1	FAN, 9" TORIN AIROTOR SRC	Figure 10	Table 10
9	SRCA037	1	COVER, BLOWER MOTOR	Figure 10	Table 10
10	SRCA036	1	TOP, BLOWER COVER SRC	Figure 10	Table 10
11	M0032	1	MOTOR, HOWELL FAN 115/230	Figure 10	Table 10
12	B0204	2	BEARING, TZ002591	Figure 10	Table 10
13	SRA058	2	BEARING BLOCK 5/8 SHAFT	Figure 10	Table 10
14	C0406 or C0415	4	CASTER, W/TOP PLATE 5" or CASTER, 3"SWIVEL W/BREAK	Figure 10	Table 10
15	R0001 or R0003	2	RELAY, 4 POLE 110/120V or RELAY, 4 POLE 240V	Figure 10	Table 10
16	SRCA063	2	RELAY PLATE, SRC	Figure 10	Table 10
17	AN30100100 or SB0338 or AN30100300 or SB0342 or AN30100200	1	CTL PNL SRC 120/208-240/3 NO H/S or CTL PNL SRC 220/380/50/3 or CTL PNL SRC 220/380/50/3 NO H/S or CTL PNL SRC STR 240V 3PH or CTL PNL SRC STR 240V 3PH NO H/S	Figure 10 Figure 11	Table 10 Table 11
18	SB0045	2	CATCH SPRING SUBASSY	Figure 10	Table 10
19	G0023	1	GUARD, GRILL 9 BAR (TOP)	Figure 10	Table 10
20	SB0301	1	DOOR ASSY, RH BOTTOM SRC	Figure 10	Table 10
21	SB0312 or SB0341	1	DOOR ASSY, LH BOTT SRC or DOOR ASSY, LH BOTT SRC	Figure 10	Table 10
22	H0001	8	HINGE, DOOR 7/8 OFFSET	Figure 10	Table 10
23	SB0003 or SB0218 or SB0085	2	DROP DOWN PNL ASSY PORC SR or DROP DOWN PNL ASSY S/S SR or DROP DOWN PNL LESS CATCH S/S	Figure 10	Table 10
24	SB0343 or SB0625	1	MICRO SWITCH BRKT ASSY SRC or MICRO SWITCH BRKT ASSY KS	Figure 10	Table 10
25	SB0126	1	SIDE GREASE DRAWER ASSY, SR'S	Figure 10	Table 10
26	C0001 or C0002	2	CALROD, 208V 2500W OFFSET or CALROD, 240V 2500W OFFSET	Figure 10	Table 10
27	B0452B	2	CALROD BRACKET ASSY, SR	Figure 10	Table 10
28	SB0049	2	DOOR ASSY, LH SR	Figure 10	Table 10
29	SRA061	8	HEAT LOC STRIP, 7 7/8"	Figure 10	Table 10
30	SR2A035	2	MOTOR COVER SR2	Figure 10	Table 10

ITEM #	PART #	QTY	DESCRIPTION	FIGURE #	TABLE #
31	HT0002 or HT0003	1	QUARTZ TUBE, 200-220V QH1000T3 or QUARTZ TUBE, 230-250V QH1000T3	Figure 10	Table 10
32	LMWSA019	4	GUARD, QUARTZ TUBE (1000W)	Figure 10	Table 10
33	SRWA026	1	TOP STIFFNER SRW	Figure 10	Table 10
34	SB0111	1	TOP OUTSIDE FRAME WELD ASSY KS	Figure 10	Table 10
35	SB0112	1	TOP, OUTSIDE W/STAND OFF ROD	Figure 10	Table 10
36	SRCA066	1	CALROD ACCESS PANEL RS CUST	Figure 10	Table 10
37	SRCA031	1	PANEL, OUTSIDE MOTOR SRC	Figure 10	Table 10
38	SRCA026	1	CALROD ACCESS PANEL LS CUST	Figure 10	Table 10
39	SRCP038B	1	CABINET, PORC INSIDE BLOWER	Figure 10	Table 10
40	SB0305B	2	SIDE INSERT ASSY, ELEC NKL SRC	Figure 10	Table 10
41	SRCP027B	1	CONVECTION INSIDE TOP, PORC.	Figure 10	Table 10
42	SR1003	2	RACK, SIDE TRAY SRC	Figure 10	Table 10
43	R0029	5	RACK, 19 1/4 X 25 3/4	Figure 10	Table 10
44	SRCA041	1	STOP, BOTTOM DOOR SRC	Figure 10	Table 10
45	SRCA057	1	BRACKET, BOTTOM DOOR HANDLE	Figure 10	Table 10
46	H0211	1	HANDLE, SRC DOOR, 8.5X1	Figure 10	Table 10
47	NUT187	2	NUT, CAP 1/4-20 NC 1/2" HEAD	Figure 10	Table 10
48	SCR257	2	SCREW, 1/4-20 X 1/2 PHIL FLT	Figure 10	Table 10
49	SRCA086	1	INSIDE BLOWER CABINET, SRC	Figure 10	Table 10
50	SB0340	1	CALROD PIGTAIL ASSY SRC 220/380	Figure 10	Table 10
51	SB0332	1	CALROD PIGTAIL ASSY SRC120/208	Figure 10	Table 10
52	SB0333	1	CALROD PIGTAIL ASSY SRC120/240	Figure 10	Table 10
53	SP0004	12	SPACER, ALUM 3/4 X 1 1/2	Figure 10	Table 10
54	SB0304	2	CALROD COVER WELD ASSY, SRC	Figure 10	Table 10
55	SB0120 or SB0034	1	MOTOR MOUNT ASSY 240V or MOTOR MTG ASSY, 115V SR LMWS	Figure 10	Table 10
56	VB0006	1	V-BELT, A-135D	Figure 10	Table 10
57	B0066 or B0553	4	BULB, 40A15 130V PTFE COATED or BULB, TUFFSKIN 40W 250V	Figure 10	Table 10
58	LH0001	4	LAMPHOLDER, RD PORCELAIN	Figure 10	Table 10
59	SRCA034	4	BRACKET, LIGHT SOCKET SRC	Figure 10	Table 10
60	SRCA032	1	PANEL, REAR INSIDE BLWR MTG	Figure 10	Table 10



Figure 11. SRC Control Panel

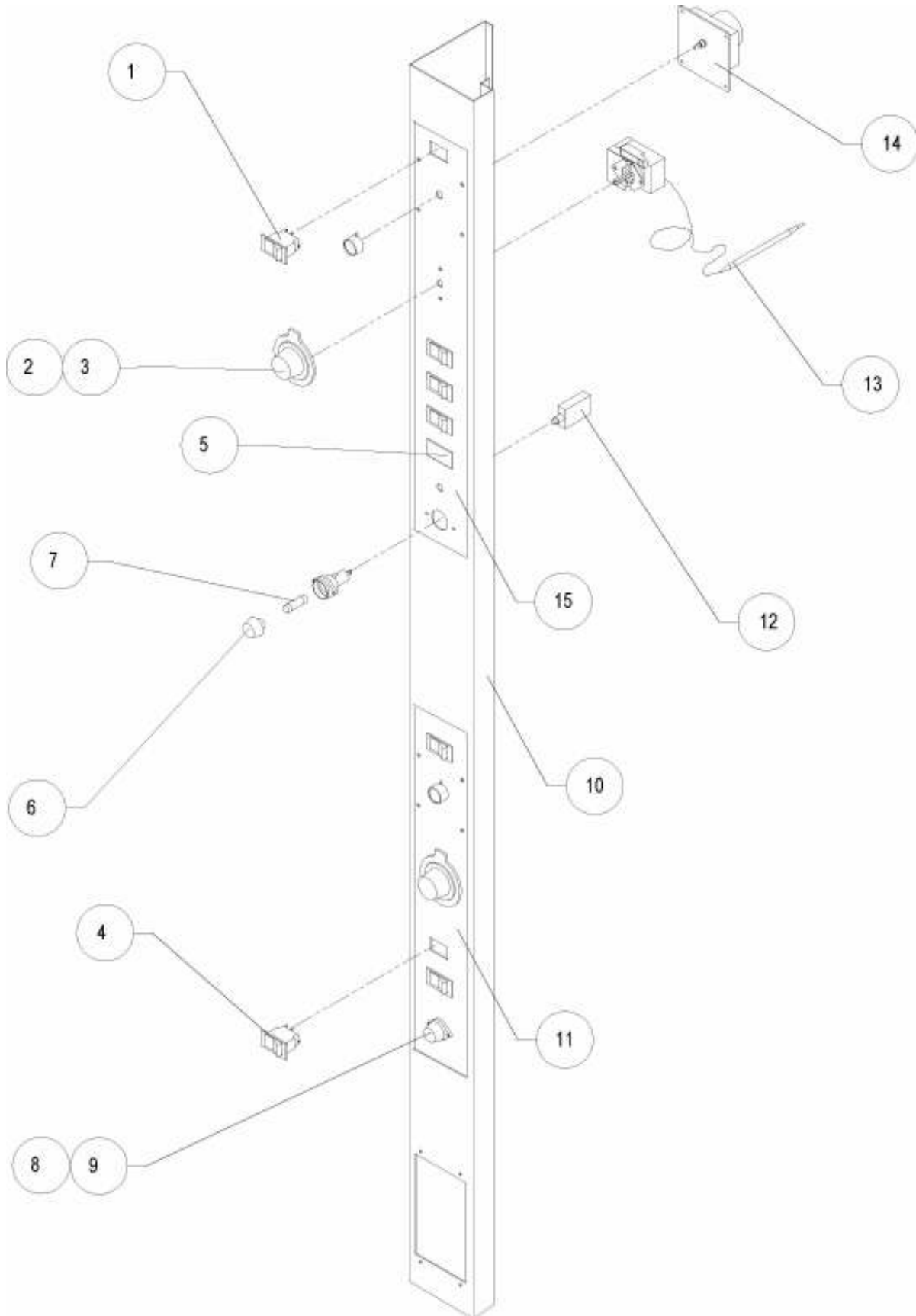




Table 11. SRC Control Panel Parts

ITEM #	PART #	QTY	DESCRIPTION
1	S0103	1	SWITCH, RKR DPST 15A 250V LAMP
2	B1050	2	BEZEL, ROBERTSHAW THERMOSTAT
3	K0028	2	KNOB, T-STAT BLK 450DEG
4	S0107	6	SWITCH, RKR SPST 15A 125V LAMP
5	P0084	1	PLUG, DUMMY 5X2-71-XX BL MATTE
6	FH0001	1	FUSE HOLDER, 15A 300V HPF-EE
7	F0097	1	FUSE, 15A 300V SC15 TIME DELAY
8	FH0003	1	FUSE HOLDER, 20A 300V HPS-JJ
9	F0104	1	FUSE, 20A 300V SC20 TIME DELAY
10	SRCA048	1	PANEL, CONTROL SRC
11	N0234	1	DECAL, CONTROL PANEL SRC LOGO
12	CB0050	1	BREAKER, CIRCUIT 3 AMP 250V
13	T0005	2	THERMOSTAT, 115-277V 450 DEG SGLPOLE
14	TI0018 or TI0009	2	TIMER, 180 MIN 115V 50HZ or TIMER, 3 HR
15	N0232	1	DECAL, CONTROL PANEL SR

**SRW Parts List**

SRW Part #	SRW Part Description
SB0237	BASE ASSY 208 240V SRW CASTERS
SB0217	BASE ASSY SRW 115V CASTERS
SB0233	BOTTOM RACK ASSY, SRW
SR2A056	BRACE, MOTOR COVER SR2
SPCA162	BRACKET, CALROD MTG CANADA
B0453	BRACKET, SRW CALROD
B0066	BULB, 40A15 130V PTFE COATED
B0553	BULB, TUFFSKIN 40W 250V
SR2A051	BUMPER, KS
F0158	BUSHING, BLK 1/2 HEYCO SNAP
F0155	BUSHING, BLK 7/8 HEYCO SNAP
SB0290A	CAB ASSY SRW S/S NO CAM
SB0292A	CAB ASSY SRW SOL BACK NO CAM
SB0296A	CAB ASSY SRW SOL BACK NO CAM
B0452B	CALROD BRACKET ASSY, SR
SRWA131	CALROD GROUNDING CLIP, CANADA
C0221	CALROD, 208V 2000W
C0001	CALROD, 208V 2500W OFFSET
C0222	CALROD, 240V 2000W
C0002	CALROD, 240V 2500W OFFSET
F0063	CLAMP, SAFETY 16101-S 1/4 DIA
FT0031	COLLAR, 5/8 SET LSC-10
SB0289	CORD SET, 7' ALBERTSON SRW MSR
SRWA077	CORNER POST SRW
SRWA008	COVER, MOTOR SRW
AN20100100	CTL PNL SRW 120/208/60/1-3 NO H/S
SB0295	CTL PNL SRW 220/380/60/1-3
SB0293	CTL PNL SRW 220/60/1
AN20100200	CTL PNL SRW 240/60/3 NO H/S
N0202	DECAL, DANGER HIGH VOLTAGE
N0166	DECAL, DO NOT USE HARSH CLEANERS
N0409	DECAL, LOGO LARGE DIE CAST
N0022	DECAL, NSF
N0444	DECAL, NSF TREATED LAMP NOTICE
N0363	DECAL, REMOVABLE ROTORS
N0034	DECAL, WATER PAN NOTICE
SB0210	DOOR ASSY, LH BOTT SRW
SB0049	DOOR ASSY, LH SR
SB0202	DOOR ASSY, RH BOTT SRW
SB0005	DOOR ASSY, RH SR
SB0218	DROP DOWN PNL ASSY S/S SR
SB0085	DROP DOWN PNL LESS CATCH S/S
FT0255	ELL, 3/4 90 DEG

SRW Part #	SRW Part Description
SRWA058	FLANGE, FLEXIBLE TUBING
SRWA059	FLEX HOSE STRAP
KSA071	GASKET, GREASE SMOKER
SB0222	GREASE DRAWER ASSY, S/S SR'S
G0022	GUARD, GRILL 6 BAR (BOTTOM)
HCA014	GUARD, LAMPHOLDER PLATE SR KS LMWS
SRA053	HINGE BLOCK, KS, SP, DP
H0081	HUB, SR KNOCK OFF SPIDER TYPE
SRWA073	INSIDE H/S COVER PLATE
SRA089	INSPECTION PLATE CONTROL PANEL
SRWA087	INSUL PANEL, WARMER W/LIGHTS
G0052	INSULATED MITT 13"
I0011	INSULATION, KAOWOOL STRIP
I0002	INSULATION, PEERLESS FIBER 3"
I0010	INSULATION, RANGE 1" FIBERGLASS
LH0021	LAMPHOLDER, #62602 HI TEMP
LH0001	LAMPHOLDER, RD PORCELAIN
SRA056	LATCH BLOCK, KS
SRWA039	LID, SMALL LOUVER SRW
SRWA098	LIGHT GUARD, SRW
SRA108	MOTOR COVER SPACER, SR SERIES
N0023	NAME & RATING TAG, UL
NUT076	NUT, 10-24 PALNUTS
NUT083	NUT, SPEED PS-312010-S
NUT082	NUT, SPEED PS-438014-S
SRWA072	OUTSIDE H/S COVER PLATE
SRA076	OUTSIDE TOP,
SRWA038	PANEL, MDL LOUVERED SRW
SRA046	PANEL, SIDE INSL SR
SRWA124	PANEL, TOP INSULATION
SRA052	PLATE, OUTSIDE CALROD KS SR SERIES
FT0015	PLUG, HOLE 1/2"
HT0016	QUARTZ TUBE, 115-125V QH500T3
HT0002	QUARTZ TUBE, 200-220V QH1000T3
HT0003	QUARTZ TUBE, 230-250V QH1000T3
R0022	RACK, 24 1/2 X 26
RC0009	RECEPTACLE, FLUSH 60A 250V
RIV170	RIVET, 1/8 ALUM (.063-.125)
F0024	RIVNUT, #10-24
F0025	RIVNUT, 5/16"-18
F0015	ROLL PIN, 5/32 X 1 1/4
F0077	ROLL PIN, 5/32 X 1 1/8
SB0011B	ROTOR ASSY 6 TRAY LHW/SPRINGS
AN10513900	ROTOR ASSY MSR
AN10504800	ROTOR ASSY, W/O SPRINGS

SRW Part #	SRW Part Description
SRWA067	S/S SLIDE FOR RACK
SCR244	SCREW, 10-24 X 1/2 SLTD TRUSS
SCR369	SCREW, 10-24 X 3/4 PHIL RD
SCR136	SCREW, 10-24 X 3/8 SLTD TRUSS
SCR356	SCREW, 5/16-18 X 5/16 SOC SET
SCR118	SCREW, 6-32 X 5/8 SLTD RD
SCR006	SCREW, 8 X 1/2 PHIL PAN
SCR448	SCREW, STUD 10-24 X 1-1/4 WELD
SCR067	SCREW, 5/16-18 X 2 1/2 SLTD TRUSS
WN10504600	SHAFT/PULLEY WELD MSR SR SR2 SRW
SB0206	SIDE STIFFENER ASSY SRW
KSA096	SKIRT, BOTTOM
SB0219	SOLID PANEL, S/S SR
SP0007	SPACER, ALUM 11/16"
H0082	SPINNER, SR KNOCK OFF HUB
SB0209	SRW S/S SOLID DOOR PNL, BOTTOM
SRA091	STAND OFF STRIP
SB0008	TERM BLOCK ASSY, 4 TB0001
SB0008A	TERM BRKT ASSY 1 OR 3P
F0294	TERMINAL, RING TONGUE
F0081	THREAD INSERT 3/8-16 STEEL
SB0111	TOP OUTSIDE FRAME WELD ASSY KS
SRWA026	TOP STIFFNER SRW
SB0112	TOP, OUTSIDE W/STAND OFF ROD
TF0035	TRANSFORMER, 230V 50/60HZ TO
VB0009	V-BELT, A-120
F0126	WASHER, REDUCER #125-75 APP
WSH252	WASHER, PTFE SR SERIES
WSRWA079	WATER PAN WELDMENT, SRW
SB0203	WELL ASSY, SRW 120/208
SB0239	WELL ASSY, SRW 208 OR 240V

**LMWS Parts List**

LMWS Part #	LMWS Part Description
SB5318	BASE ASSY, CASTERS LMWS 115V
SB5325	BASE ASSY, CASTERS LMWS 220V
SB5308	BLOWER MOTOR ASSY, LMWS
SPCA162	BRACKET, CALROD MTG CANADA
SR2A043	BRACKET, GREASE DRAWER SR2
B0066	BULB, 40A15 130V PTFE COATED
B0553	BULB, TUFFSKIN 40W 250V
F0156	BUSHING, BLK 5/8 HEYCO SNAP
SB5331	CAB ASSY LMWS S/S
SRWA131	CALROD GROUNDING CLIP, CANADA
C0215	CALROD, 208V 1100W
C0216	CALROD, 240V 1100W
F0063	CLAMP, SAFETY 16101-S 1/4 DIA
FT0049	COLLAR, 1/2" SET BRIGHT
LMWSA022	CORNER POST
AN53000300	CTL PNL LMWS 1 PH NO H/S
AN53000500	CTL PNL LMWS 220/50/1 NO H/S
AN53000400	CTL PNL LMWS 220/60/1 NO H/S
AN53000200	CTL PNL LMWS 230V NO H/S
AN53000600	CTL PNL LMWS 3 PH NO H/S
N0387	DECAL, 300 DEG MAX FOR DR34
N0517	DECAL, BKI LOGO ADHESIVE BACK
N0202	DECAL, DANGER HIGH VOLTAGE
N0409	DECAL, LOGO LARGE DIE CAST
N0022	DECAL, NSF
N0444	DECAL, NSF TREATED LAMP NOTICE
N0363	DECAL, REMOVABLE ROTORS
N0034	DECAL, WATER PAN NOTICE
SB5319	DOOR ASSY LH OPER LMWS
SB5307	DOOR ASSY RH CUST LMWS
SRWA059	FLEX HOSE STRAP
KSA071	GASKET, GREASE SMOKER
SB5304	GREASE DRAWER ASSY, LMWS
HCA014	GUARD, LAMPHOLDER PLATE SR KS LMWS
H0101	HUB SPINNER, QUIK RELEASE FS/LMWS
H0100	HUB, QUIK RELEASE (FS &LMWS)
SRWA073	INSIDE H/S COVER PLATE
SRA089	INSPECTION PLATE CONTROL PANEL
G0052	INSULATED MITT 13"
I0011	INSULATION, KAOWOOL STRIP
I0002	INSULATION, PEERLESS FIBER 3"
I0010	INSULATION, RANGE 1" FIBERGLASS
I0005	INSULATION,1"TK

LMWS Part #	LMWS Part Description
LH0001	LAMPHOLDER, RD PORCELAIN
SRA056	LATCH BLOCK, KS
LMWSA009	LID, CENTER LOUVER LMWS
LMWSA026	LID, LOUVER R&L
SB5315	LMWS OUTSIDE TOP FRAME WELD
SB5317	LMWS SIDE RACK ASSY
SB5324	MOTOR BLOWER ASSY, LMWS 220V
LMWSA031	MOTOR COVER
LMWSA059	MOTOR COVER BRACE
LMWSA069	MOTOR COVER SPACER
N0023	NAME & RATING TAG, UL
NUT076	NUT, 10-24 PALNUTS
NUT083	NUT, SPEED PS-312010-S
SRWA072	OUTSIDE H/S COVER PLATE
LMWSA058	OUTSIDE TOP
LMWSA082	PANEL, INSULATION
FT0015	PLUG, HOLE 1/2"
HT0002	QUARTZ TUBE, 200-220V QH1000T3
HT0003	QUARTZ TUBE, 230-250V QH1000T3
R0009	RACK, 19 3/8 X 20
SB5333	REMOV DISC ROTOR W/SPRING LMWS
SB5334	REMOV ROTOR PLAIN SIDE LMWS
RIV170	RIVET, 1/8 ALUM (.063-.125)
RIV172	RIVET, 1/8 CS ZINC (.187-.250)
RIV173	RIVET, 1/8 SS (.187-.250)
SCR017	SCREW, 10 X 1 SLTD HEX WASHER
SCR008	SCREW, 10 X 1/2 PHIL TRUSS
SCR025	SCREW, 10-24 X 3/4 PHIL FL HD
SCR031	SCREW, 10-24 X 3/4 PHIL RD
SCR369	SCREW, 10-24 X 3/4 PHIL RD
SCR236	SCREW, 5/16-18 X 1 WHIZ'LOC
SCR356	SCREW, 5/16-18 X 5/16 SOC SET
SCR448	SCREW, STUD 10-24 X 1-1/4 WELD
SB5313	SHAFT & PULLEY WELD ASSY, LMWS
LMWSA077	SKIRT, BOTTOM LMWS
SB5336	SOLID BACK ASSY, LMWS BOTT SECTION
SB5306	SOLID BACK ASSY, LMWS TOP SECTION
SB0008	TERM BLOCK ASSY, 4 TB0001
F0051	TERMINAL, ELEC RING TONGUE
F0294	TERMINAL, RING TONGUE
VB0004	V-BELT, 4L-910
WLMWSA012	WATER PAN WELDMENT, LMWS
LMWSA002	WELL, CALROD, LMWS
W0012	WIRE, #12 GREEN

**Accessories**

Part #	Description
<b>SR, SR-2, SRW AND SRC</b>	
G0052	INSULATED MITT 13"
MF001	MEAT FORK
<a href="#">MB0016</a>	MEAT BASKET
<a href="#">MB0018</a>	CHICKEN BASKET WITH PRONGS
<a href="#">MF0026</a>	"V" SPIT
<b>KS</b>	
G0052	INSULATED MITT 13"
FR0001	FRAME
<a href="#">MF0004</a>	MEAT FORK (SINGLE SPIT)
<a href="#">MB0001</a>	MEAT BASKET (FR0001 FRAME NEEDED)
MB0012	CHICKEN RACK BASKET ( <a href="#">SB0680S</a> KIT NEEDED)
<a href="#">MB0016</a>	MEAT BASKET ( <a href="#">SB0680S</a> KIT NEEDED)
<a href="#">WASCA003</a>	ROASTING PAN (FR0001 FRAME NEEDED)
ASCA005B	BAKING TRAY (FR0001 FRAME NEEDED)
<a href="#">KSA059</a>	COOKIE SHEET (FR0001 FRAME NEEDED)
<a href="#">SB0680S</a>	PIN/NUT/WASHER KIT FOR KS CHAIN
<b>LMWS</b>	
G0052	INSULATED MITT 13"
<a href="#">MF0002</a>	MEAT FORK
<a href="#">MB0007</a>	MEAT BASKET

## Wiring Diagrams

Model	Part #	Description	Figure #
SR	SB10190000	120V/208V/240V/1-3 Phase	Figure 12
SR-2	SB11190100	120V/208V and 120V/240V/1-3 Phase	Figure 13
SR-2	SB11190000	208V/220V/240V/1-3 Phase	Figure 14
SR-2	SB11190200	220V/380V/3 Phase	Figure 15
SRC	SB30190000	120/208V and 120/240V/3 Phase	Figure 16
SRC	SB30190300	220V/380V/50 HZ/3 Phase	Figure 17
SRC	SB30190200	240V/3 Phase	Figure 18
SRW	SB20190100	120V/208V/240V/1-3 Phase	Figure 19
SRW	SB20190000	208V/220V/240V/1-3 Phase	Figure 20
KS	SB60090200	220V/380V/50 HZ/3 Phase	Figure 21
KS	SB60090300	208V/220V/240V/3 Phase	Figure 22
KS	SB60090000	120V/208V and 120V/240V/1-3 Phase	Figure 23
LMWS	SB53090000	120V/208V and 120V/240V/1 Phase	Figure 24
LMWS	SB53090200	120V/208V/60 HZ/3 Phase	Figure 25
LMWS	SB53090100	208V/220V/230V/1 Phase	Figure 26
LMWS	SB53090300	220V/50 HZ/1 Phase	Figure 27



Figure 12. SR 120V/208V/240V/1-3 Phase

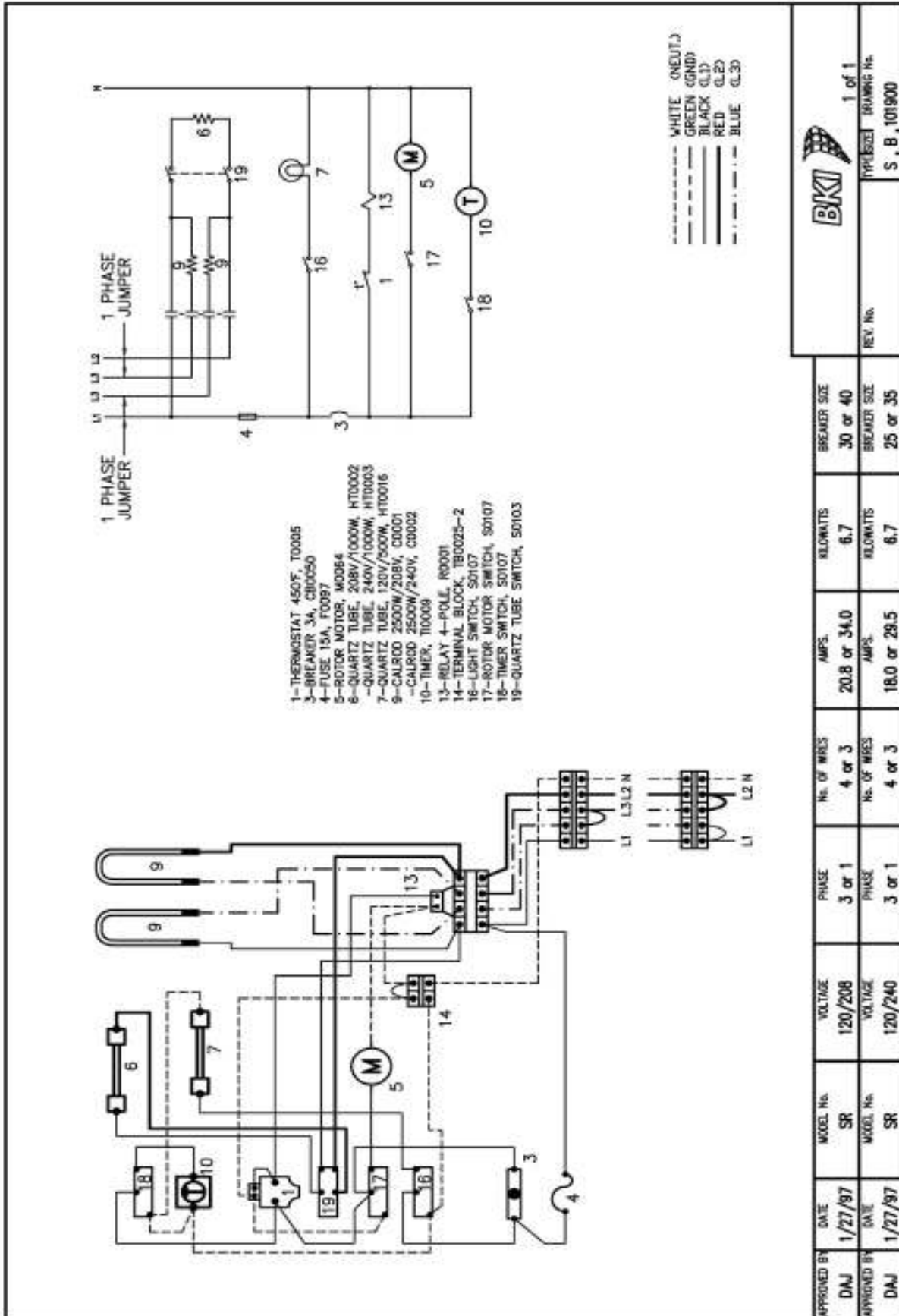


Figure 13. SR2 120V/208V and 120V/240V/1-3 Phase (Sheet 1 of 2)

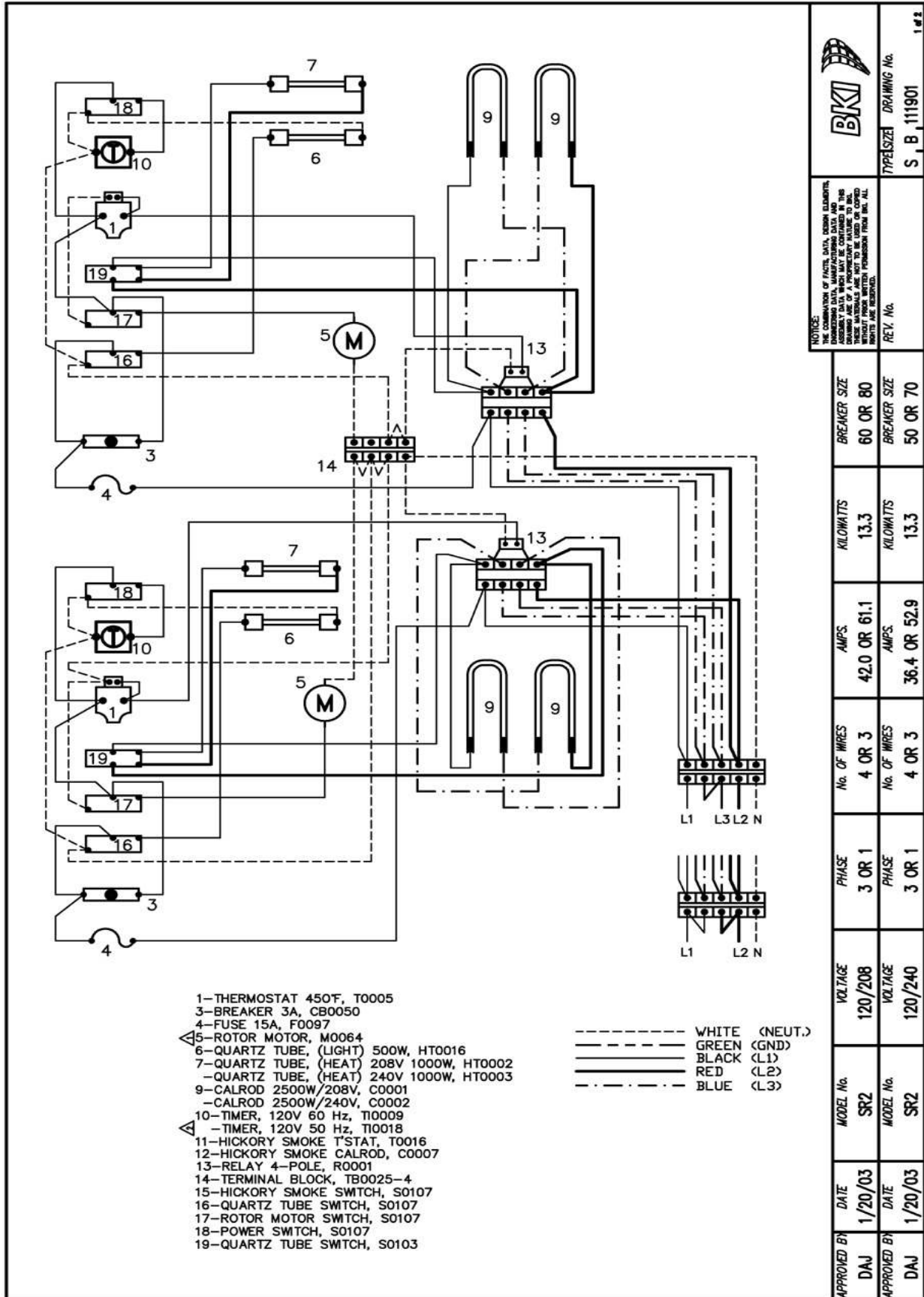
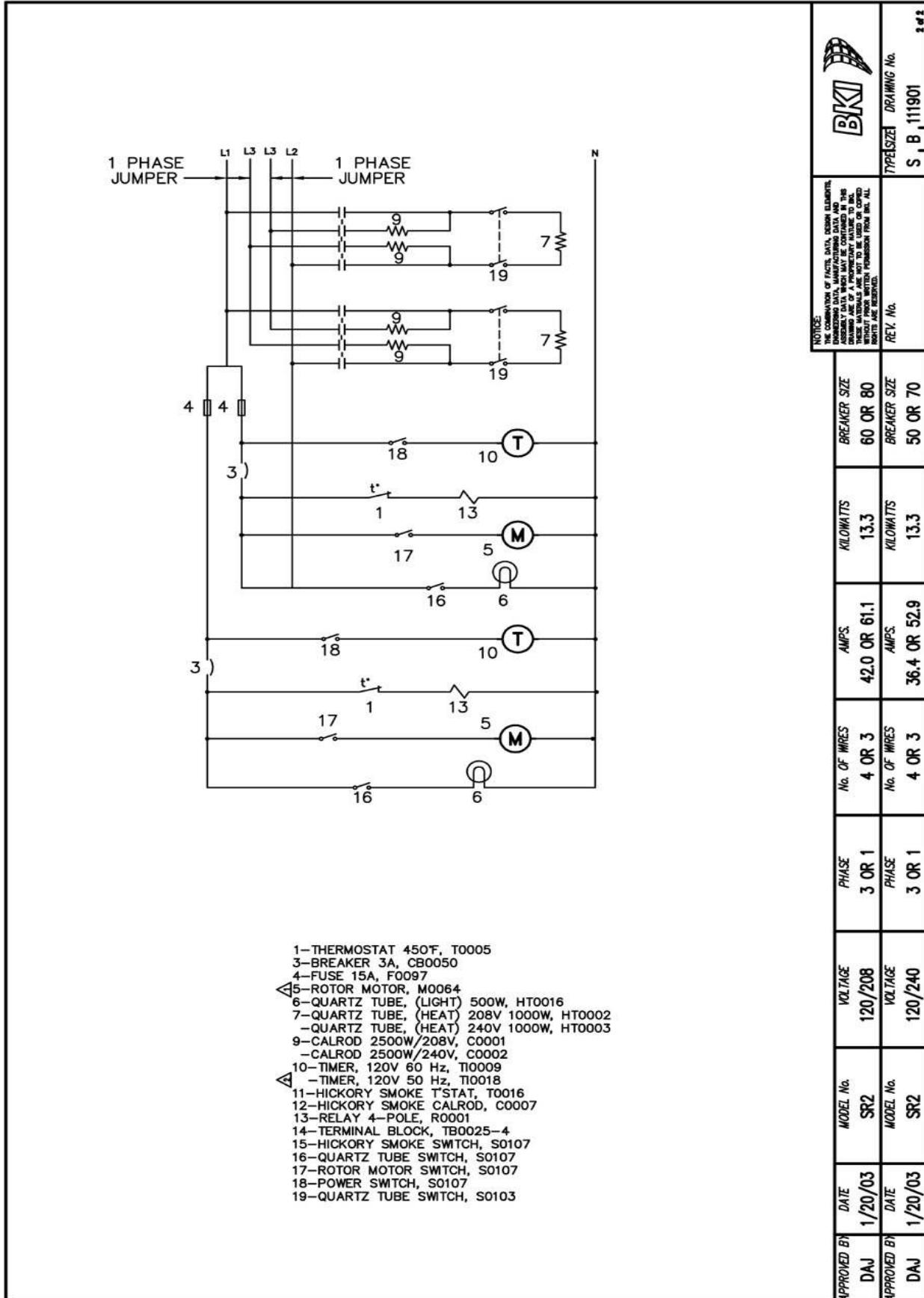


Figure 13. SR2 120V/208V and 120V/240V/1-3 Phase (Sheet 2 of 2)



		TYPE/SIZE DRAWING No. S, B, 111901	
NOTICE: THE COMPARISON OF FACTS, DATA, DRAWING ELEMENTS, ASSEMBLY DATA WHICH MAY BE CONTAINED IN THIS DRAWING AND A PORTION OF THE SAME TO ANY OTHER DRAWING WITHOUT WRITTEN PERMISSION FROM BKI, ALL RIGHTS ARE RESERVED.		REV. No.	
APPROVED BY	DATE	MODEL No.	VOLTAGE
DAJ	1/20/03	SR2	120/208
APPROVED BY	DATE	MODEL No.	VOLTAGE
DAJ	1/20/03	SR2	120/240
		PHASE	KILOWATTS
		3 OR 1	13.3
		PHASE	KILOWATTS
		3 OR 1	13.3
		No. OF WIRES	AMPS.
		4 OR 3	42.0 OR 61.1
		No. OF WIRES	AMPS.
		4 OR 3	36.4 OR 52.9
		PHASE	BREAKER SIZE
		3 OR 1	60 OR 80
		PHASE	BREAKER SIZE
		3 OR 1	50 OR 70

Figure 14. SR2 208V/220V/240V/1-3 Phase (Sheet 1 of 2)

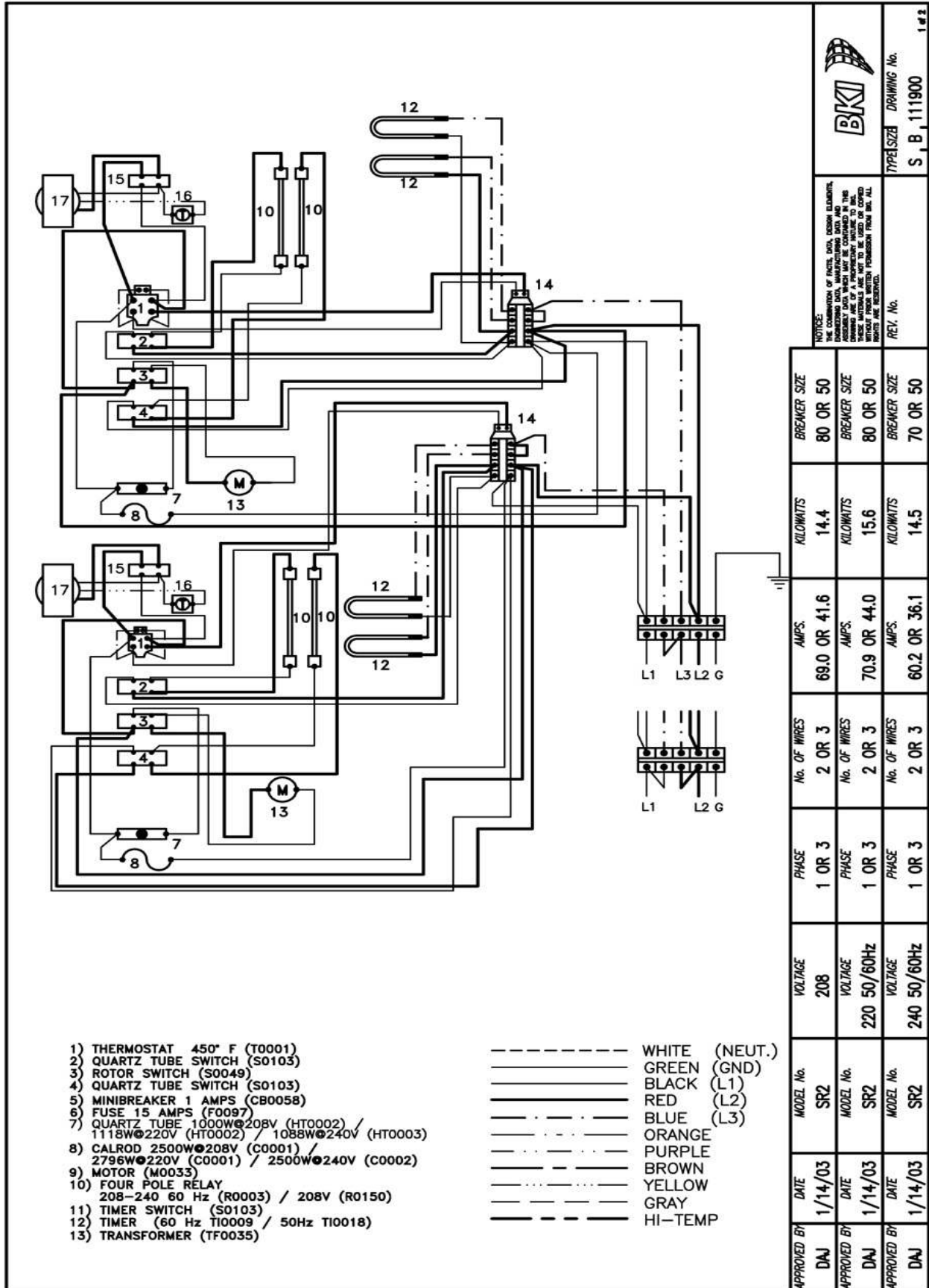


Figure 14. SR2 208V/220V/240V/1-3 Phase (Sheet 2 of 2)

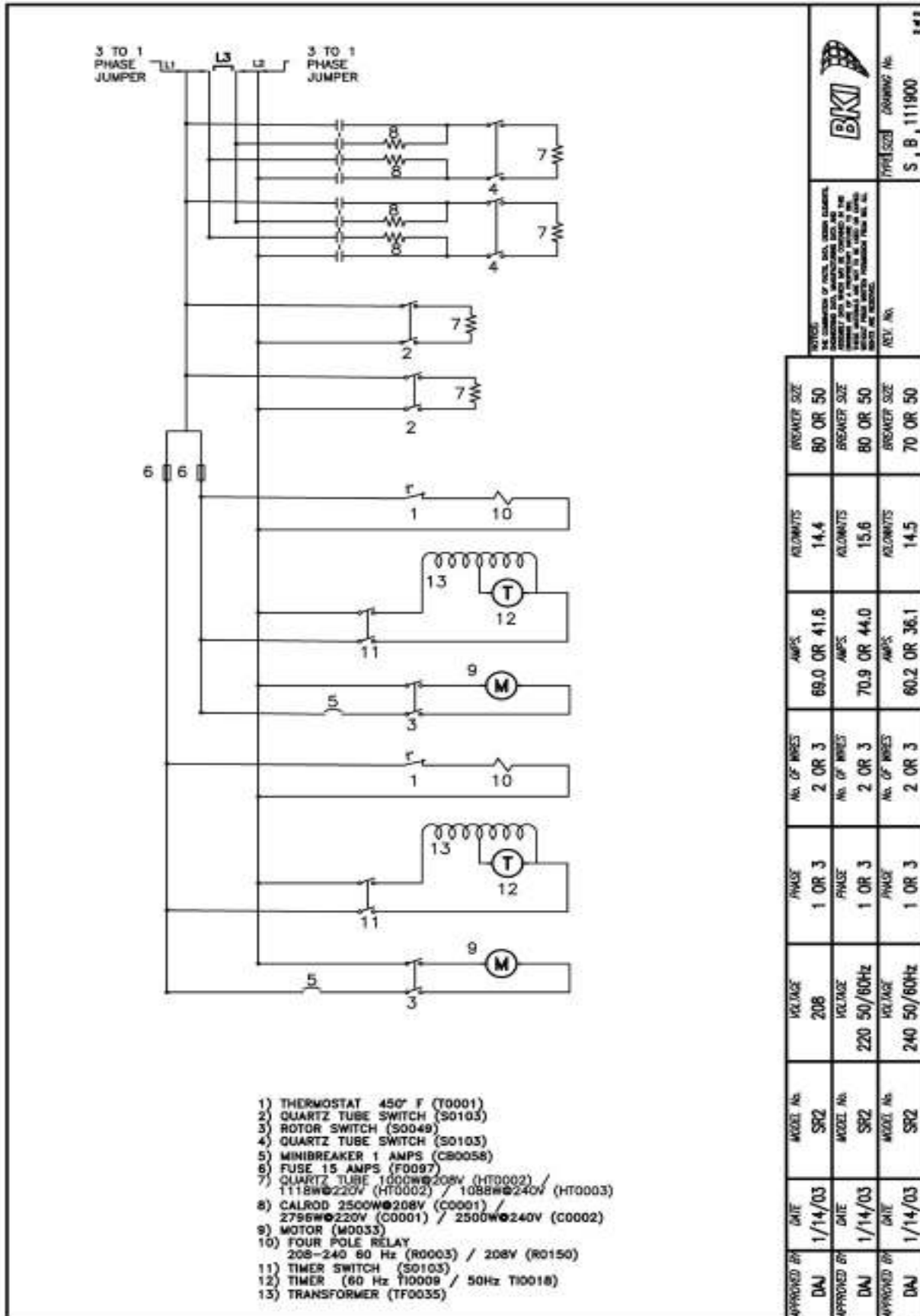




Figure 15. SR2 220V/380V/3 Phase (Sheet 1 of 2)

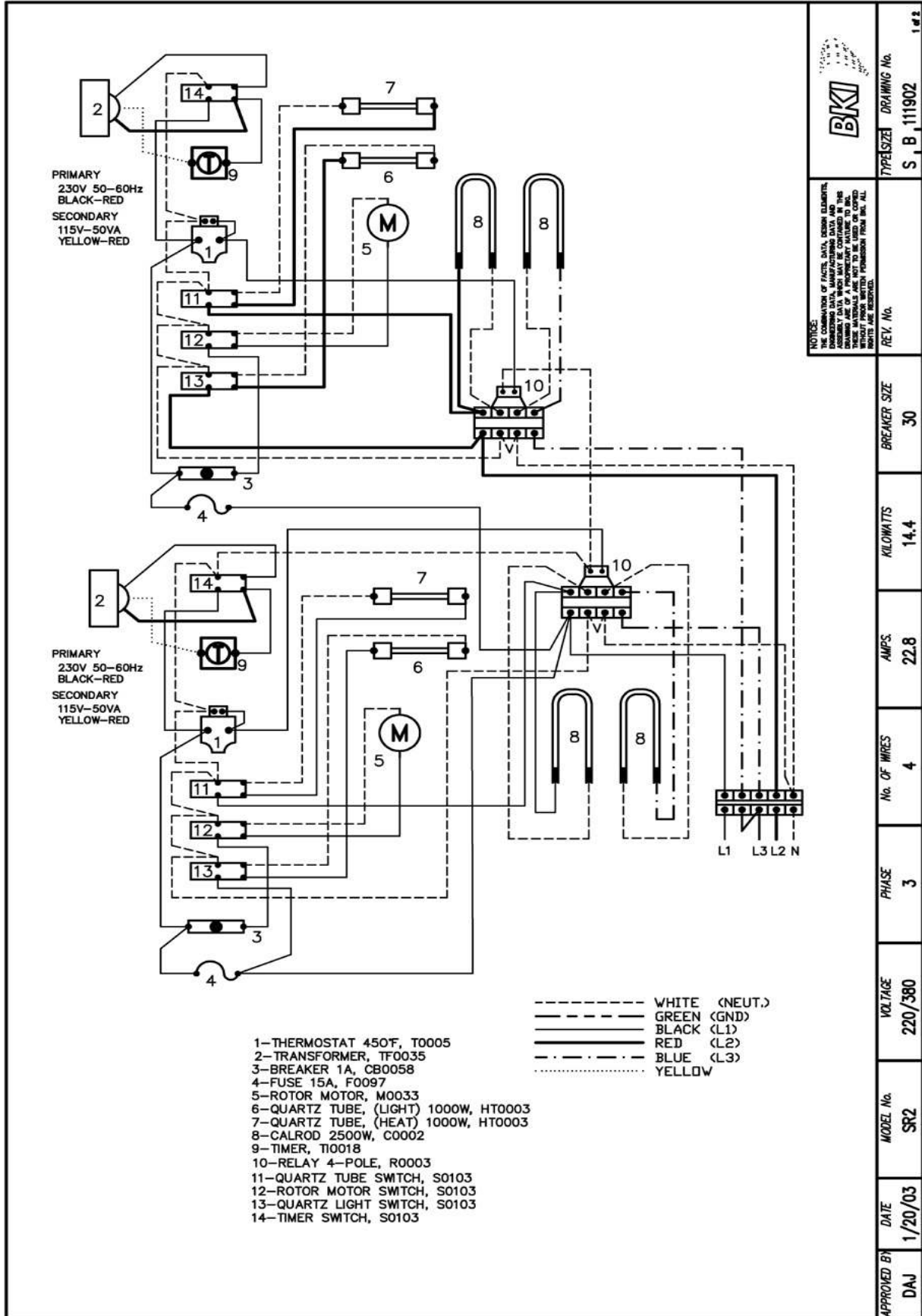
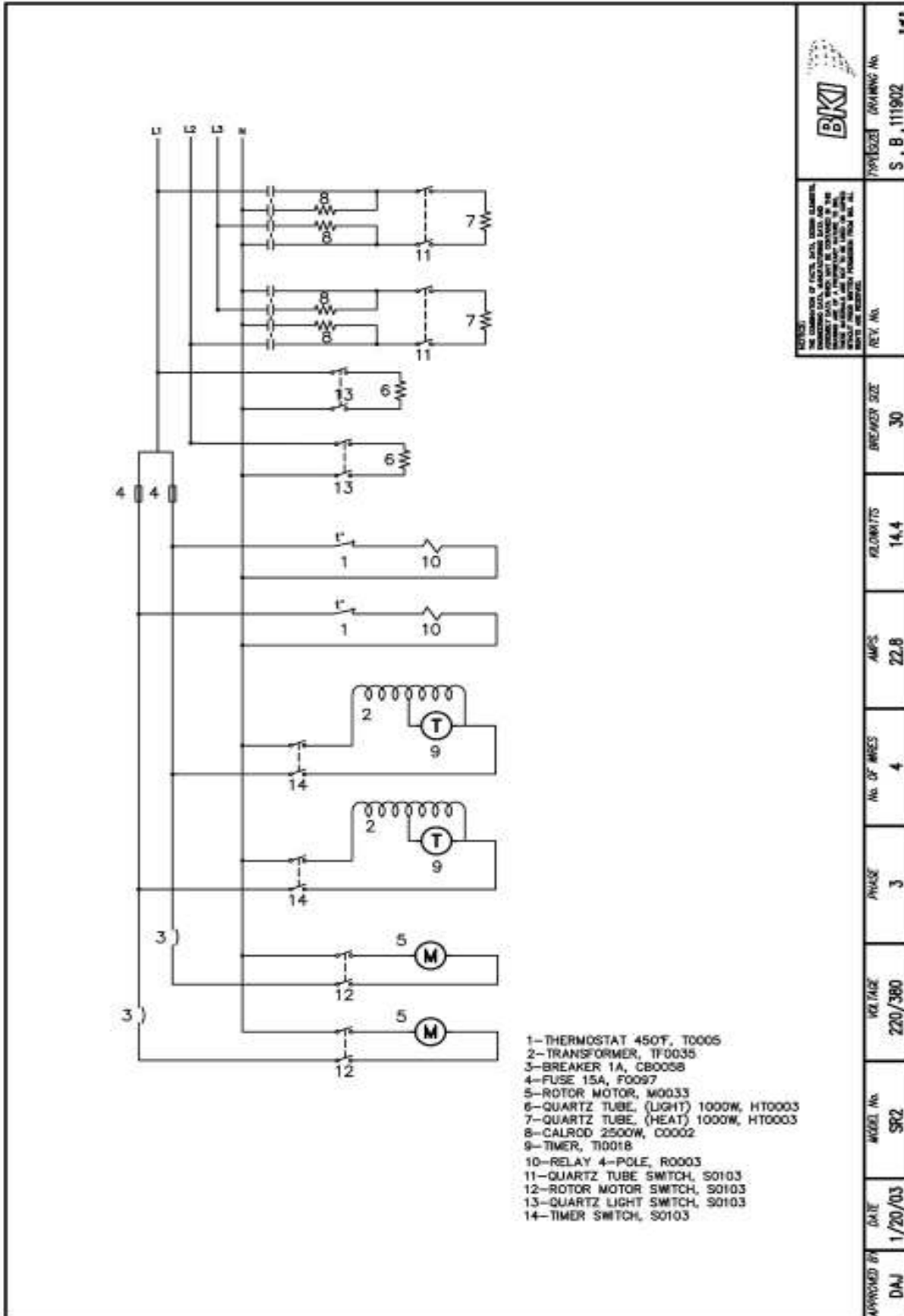


Figure 15. SR2 220V/380V/3 Phase (Sheet 2 of 2)



**BK**

REVISED DRAWING No. S B 111902

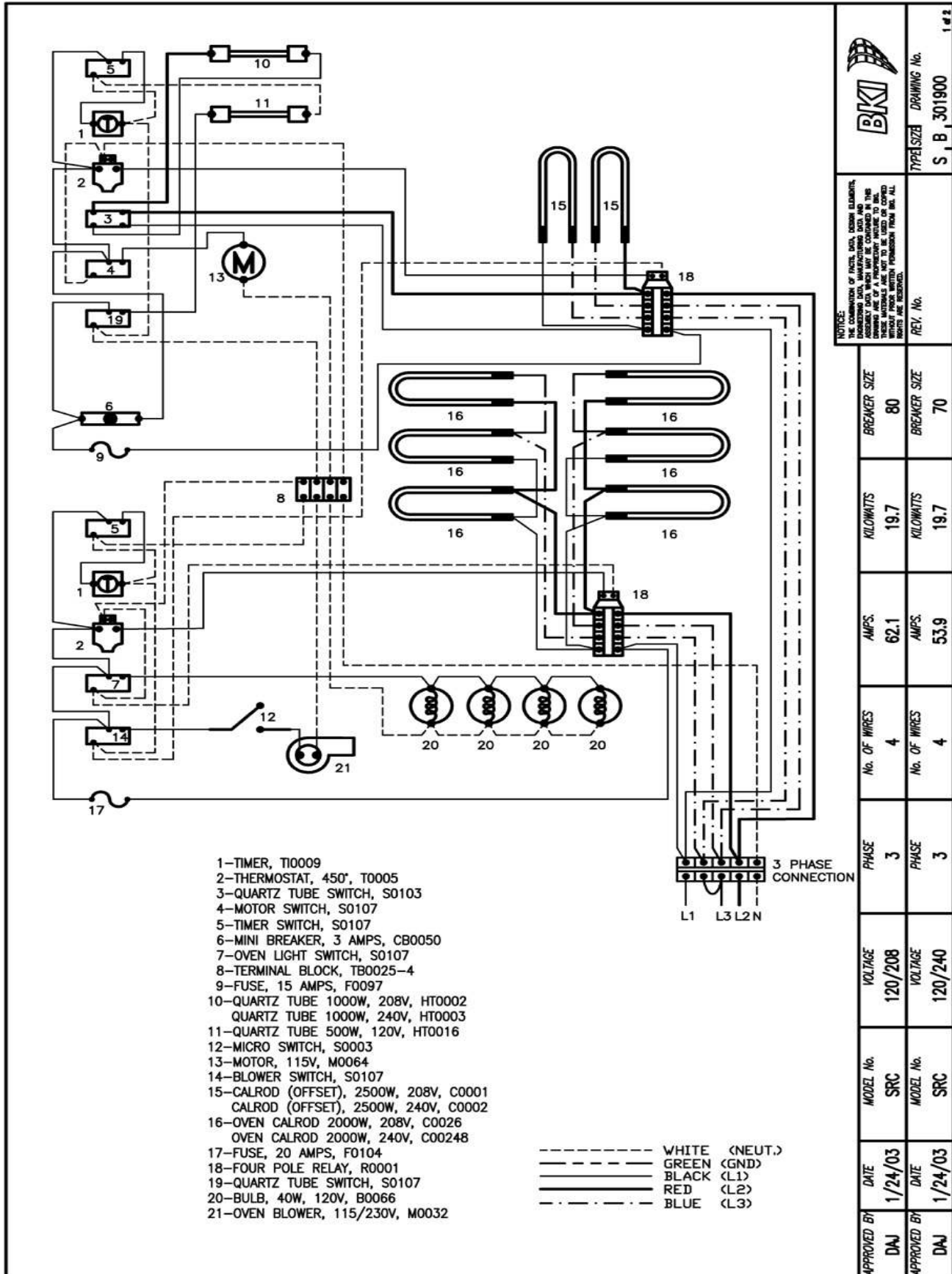
REV. NO.

DATE 1/20/03

APPROVED BY DAJ

PHASE	3
NO. OF WIRES	4
AMPS	22.8
WOLB/ITS	14.4
BREAKER SIZE	30
MODEL No.	SR2
DATE	1/20/03
APPROVED BY	DAJ

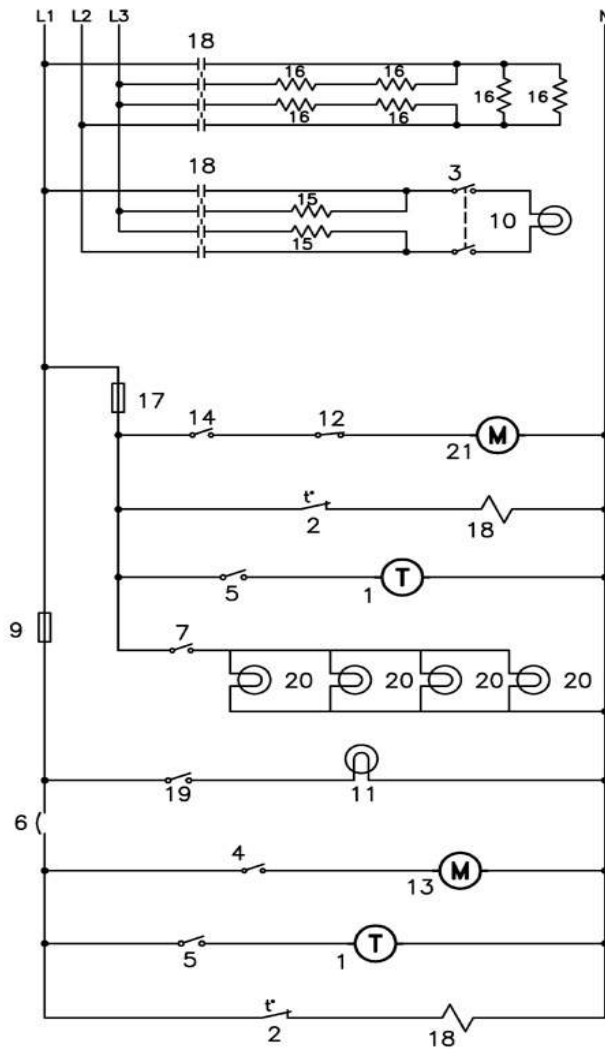
Figure 16. SRC 120/208V and 120/240V/3 Phase (Sheet 1 of 2)



		TYPE/SIZE		DRAWING No.				
		S, B, 301900		1.42				
NOTICE: THE COMBINATION OF PARTS, DATA, DESIGN ELEMENTS, DIMENSIONS, DATA, MANUFACTURING DATA, AND DIMENSIONS ARE THE PROPERTY OF BKI. THESE MATERIALS ARE NOT TO BE USED OR COPIED WITHOUT PERMISSION FROM BKI. ALL RIGHTS ARE RESERVED.		REV. No.						
APPROVED BY	DATE	MODEL No.	VOLTAG	PHASE	No. OF WIRES	AMPS.	KILOWATTS	BREAKER SIZE
DAJ	1/24/03	SRC	120/208	3	4	62.1	19.7	80
APPROVED BY	DATE	MODEL No.	VOLTAG	PHASE	No. OF WIRES	AMPS.	KILOWATTS	BREAKER SIZE
DAJ	1/24/03	SRC	120/240	3	4	53.9	19.7	70



Figure 16. SRC 120/208V and 120/240V/3 Phase (Sheet 2 of 2)



- 1-TIMER, TI0009
- 2-THERMOSTAT, 450°, T0005
- 3-QUARTZ TUBE SWITCH, S0103
- 4-MOTOR SWITCH, S0107
- 5-TIMER SWITCH, S0107
- 6-MINI BREAKER, 3 AMPS, CB0050
- 7-OVEN LIGHT SWITCH, S0107
- 8-TERMINAL BLOCK, TB0025-4
- 9-FUSE, 15 AMPS, F0097
- 10-QUARTZ TUBE 1000W, 208V, HT0002  
QUARTZ TUBE 1000W, 240V, HT0003
- 11-QUARTZ TUBE 500W, 120V, HT0016
- 12-MICRO SWITCH, S0003
- 13-MOTOR, 115V, M0064
- 14-BLOWER SWITCH, S0107
- 15-CALROD (OFFSET), 2500W, 208V, C0001  
CALROD (OFFSET), 2500W, 240V, C0002
- 16-OVEN CALROD 2000W, 208V, C0026  
OVEN CALROD 2000W, 240V, C00248
- 17-FUSE, 20 AMPS, F0104
- 18-FOUR POLE RELAY, R0001
- 19-QUARTZ TUBE SWITCH, S0107
- 20-BULB, 40W, 120V, B0066
- 21-OVEN BLOWER, 115/230V, M0032


		TYPE/SIZE		DRAWING No.	
		S, B		301900	
NOTICE: THE COMPARISON OF FACTS, DATA, DESIGN ELEMENTS, ASSEMBLY DATA WHICH MAY BE CONTAINED IN THIS DRAWING WITH ANY OTHER DRAWING OR SPECIFICATION WITHOUT WRITTEN PERMISSION FROM BKI, ALL RIGHTS ARE RESERVED.					
APPROVED BY	DATE	MODEL No.	VOLTAGE	PHASE	NO. OF WIRES
DAJ	1/24/03	SRC	120/208	3	4
APPROVED BY	DATE	MODEL No.	VOLTAGE	PHASE	NO. OF WIRES
DAJ	1/24/03	SRC	120/240	3	4
			AMPS.	KILOWATTS	BREAKER SIZE
			62.1	19.7	80
			53.9	19.7	70

Figure 17. SRC 220V/380V/50 HZ/3 Phase (Sheet 1 of 2)

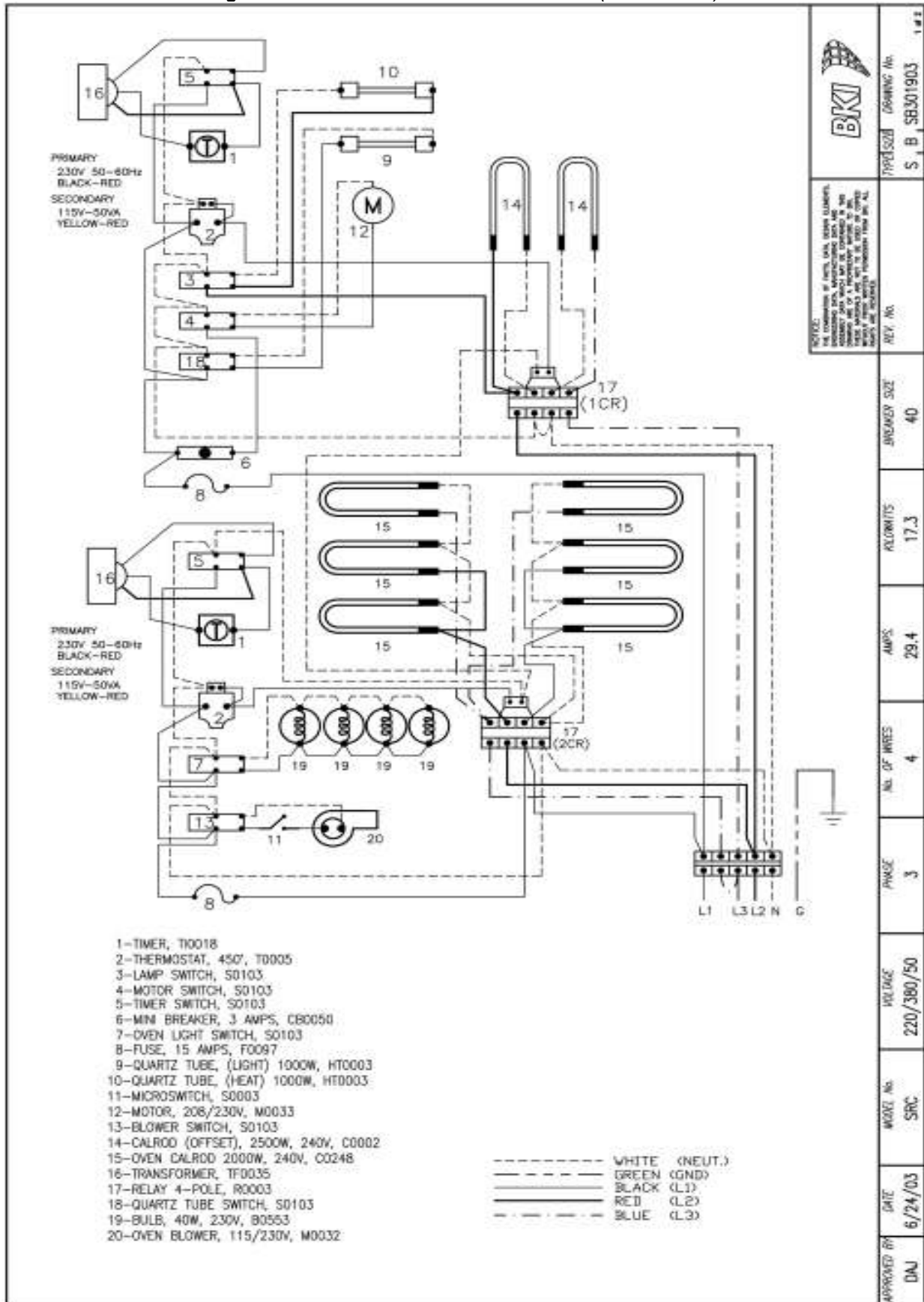


Figure 17. SRC 220V/380V/50 HZ/3 Phase (Sheet 2 of 2)

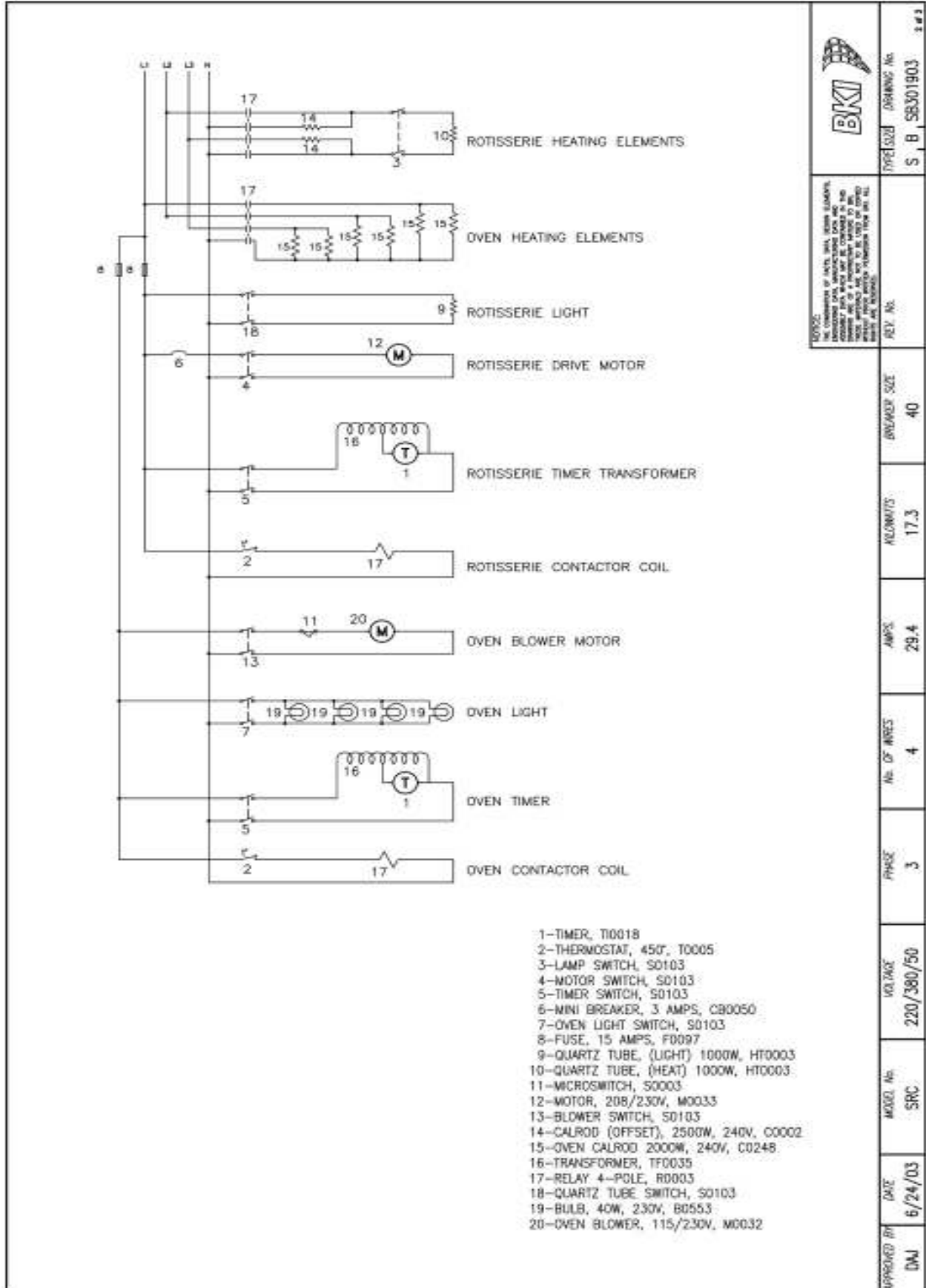
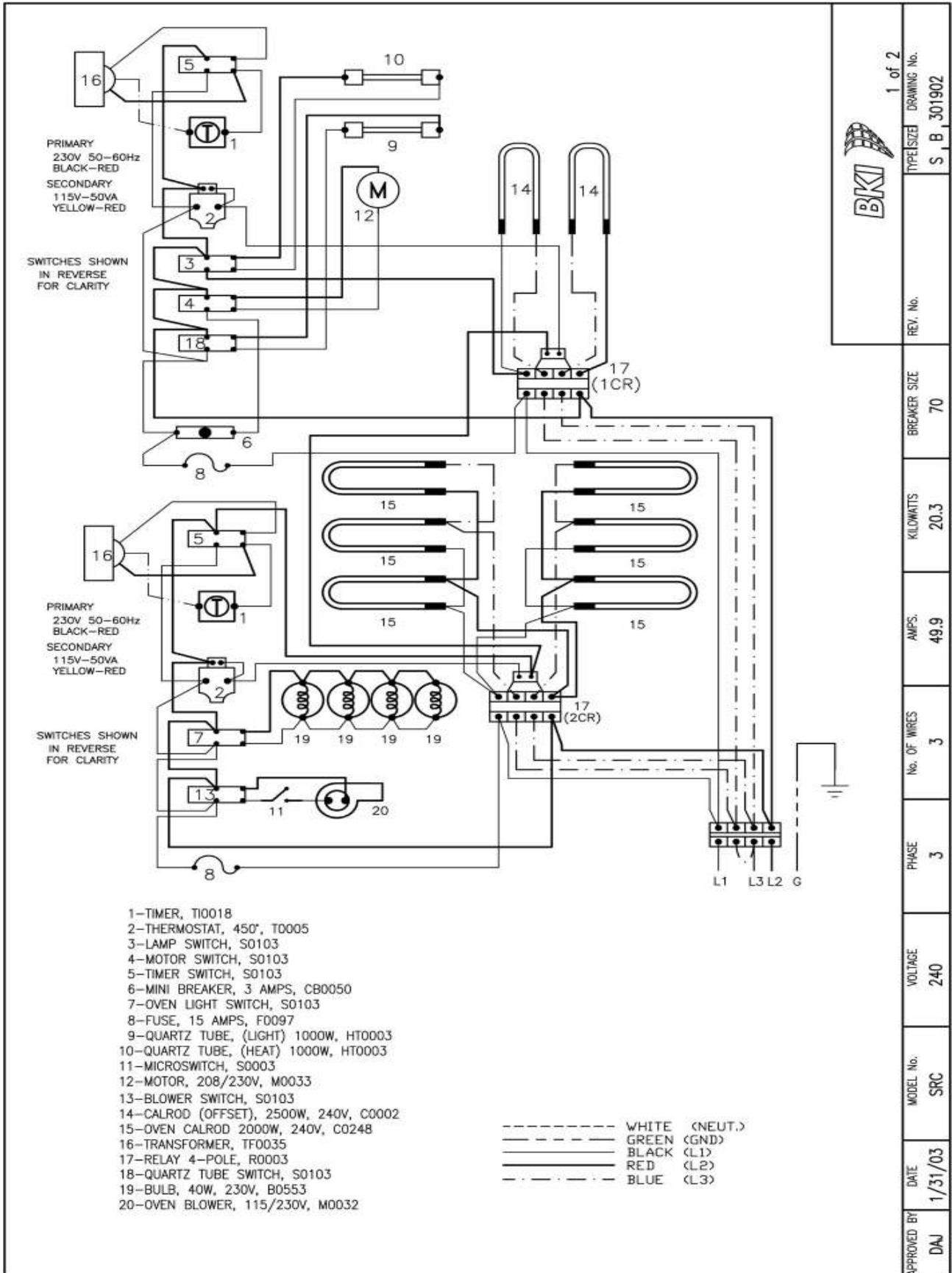


Figure 18. SRC 240V/3 Phase (Sheet 1 of 2)



		1 of 2	TYPE/SIZE		DRAWING No.		
			S B		301902		
REV. No.		BREAKER SIZE		KILOWATTS		AMPS.	
		70		20.3		49.9	
No. OF WIRES		PHASE		VOLTAGE		MODEL No.	
3		3		240		SRC	
DATE		APPROVED BY		DAU		1/31/03	

Figure 18. SRC 240V/3 Phase (Sheet 2 of 2)

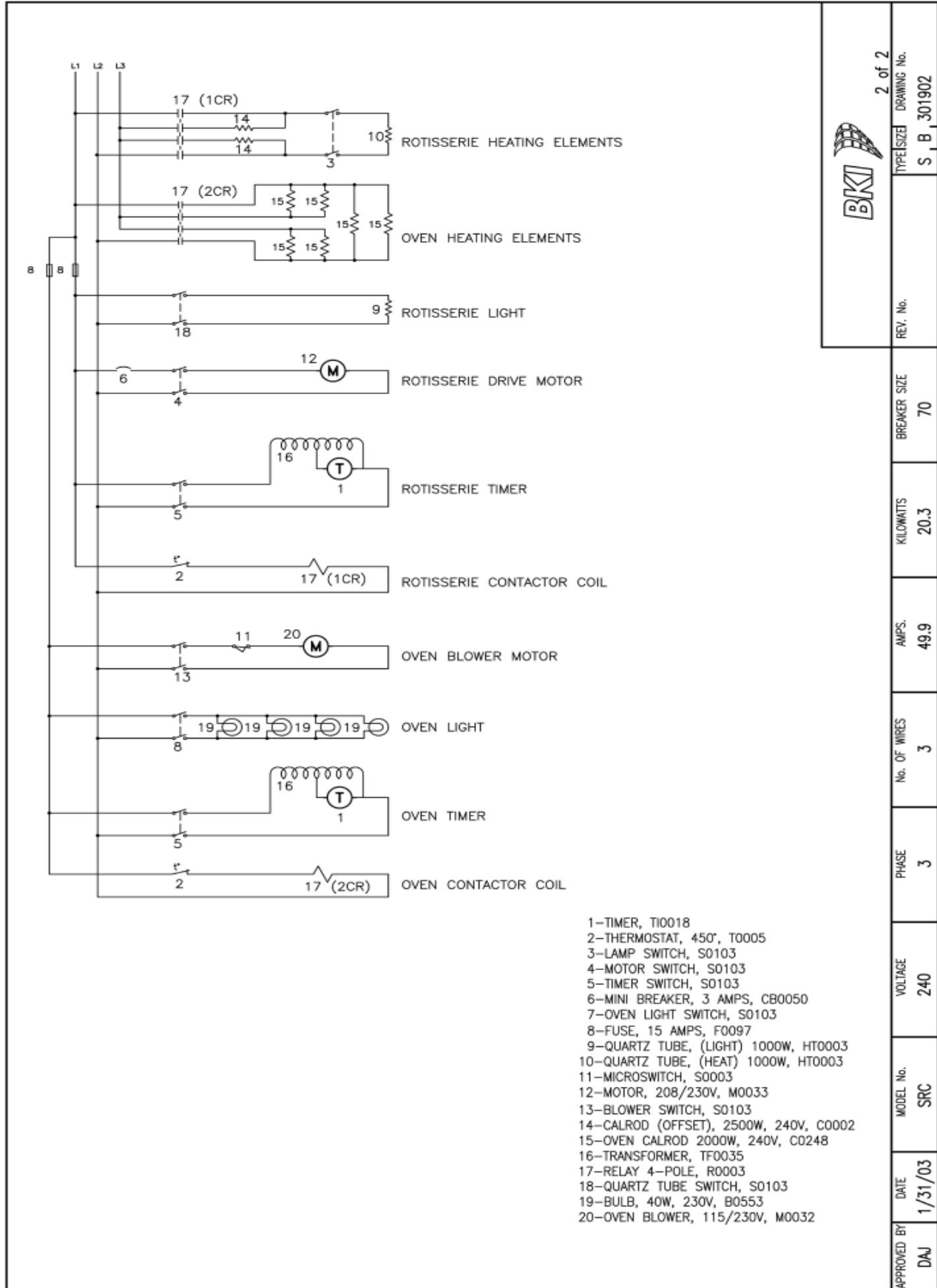




Figure 19. SRW 120V/208V/240V/1-3 Phase

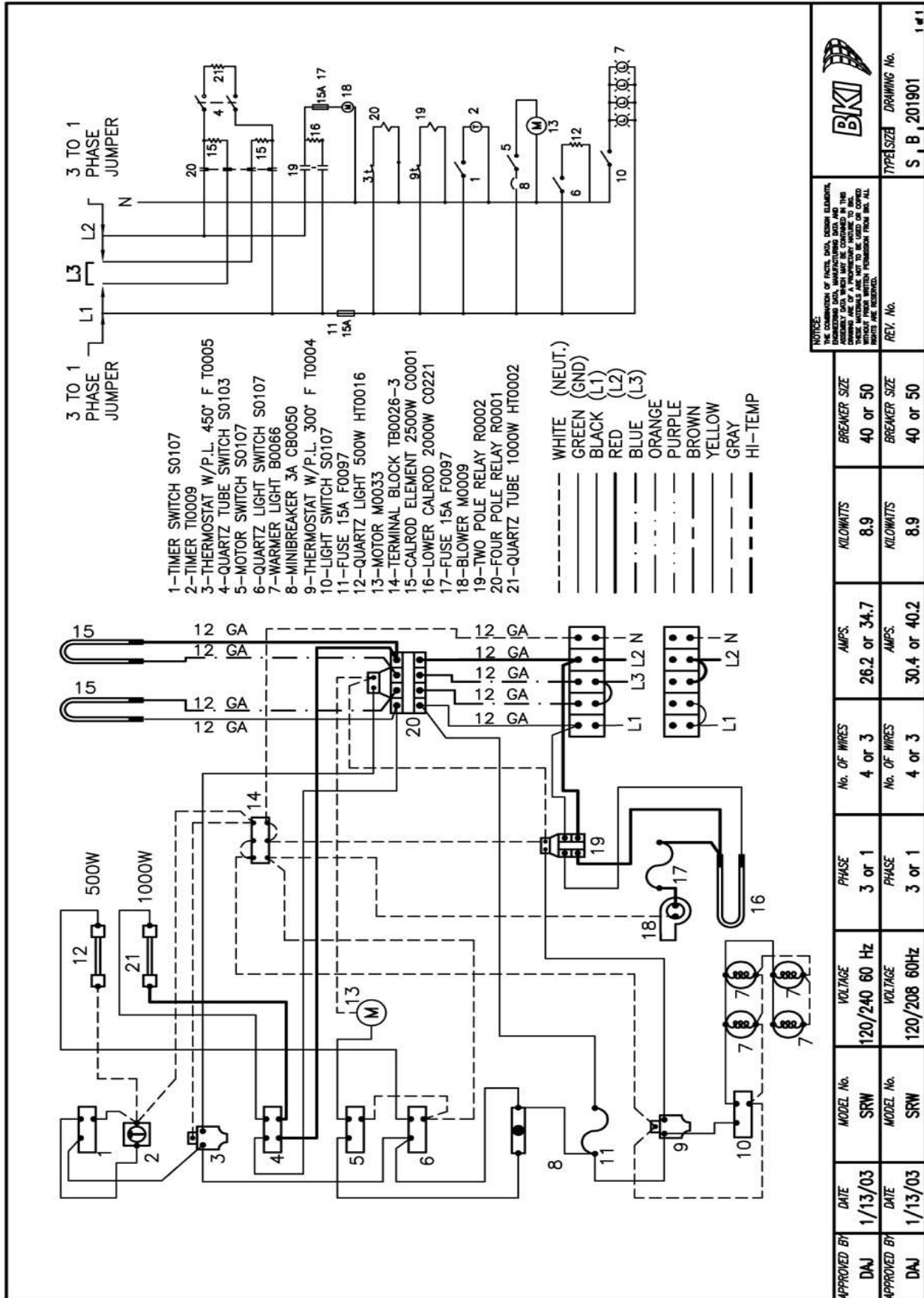


Figure 20. SRW 208V/220V/240V/1-3 Phase

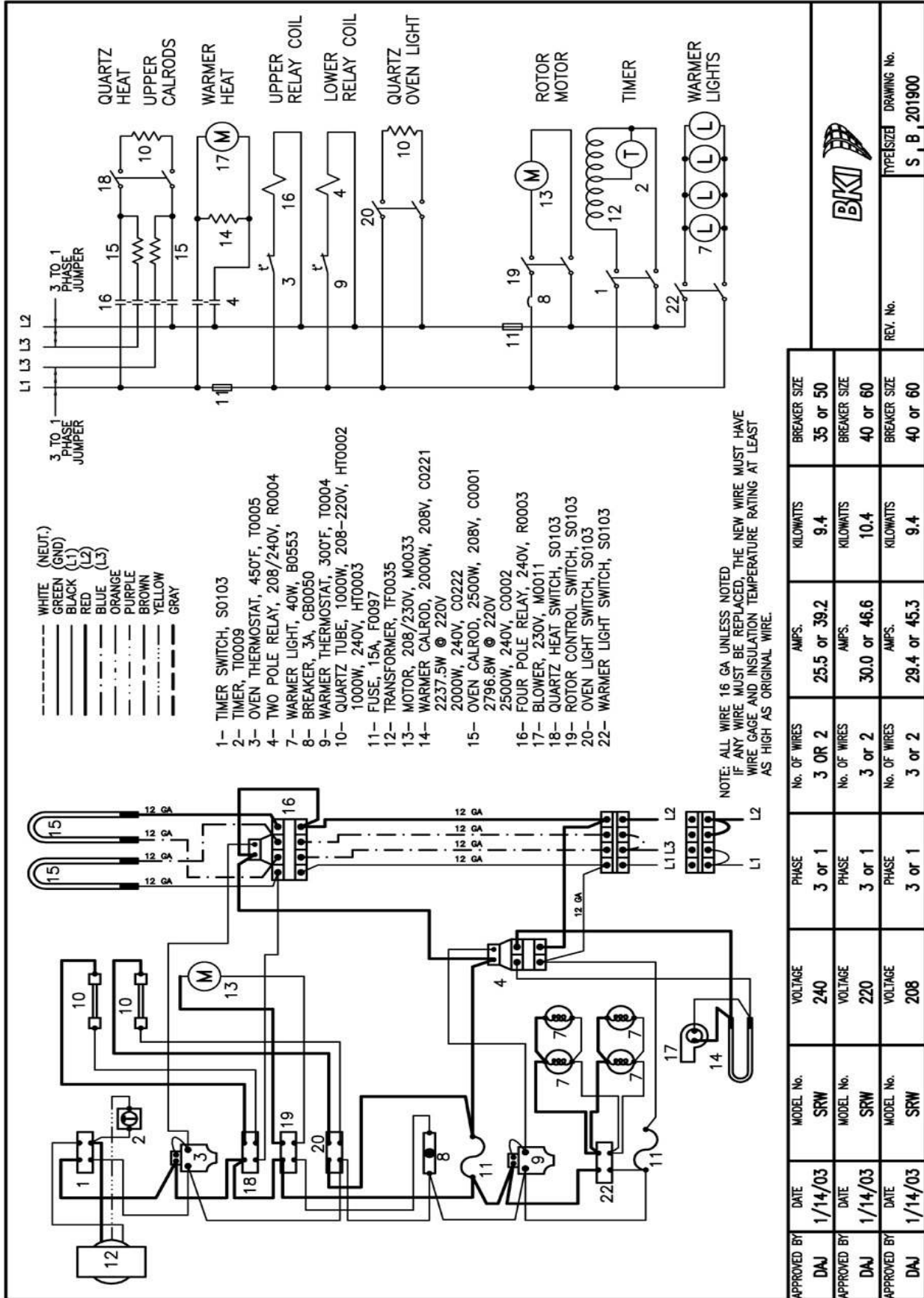


Figure 21. KS 220V/380V/50 HZ/3 Phase

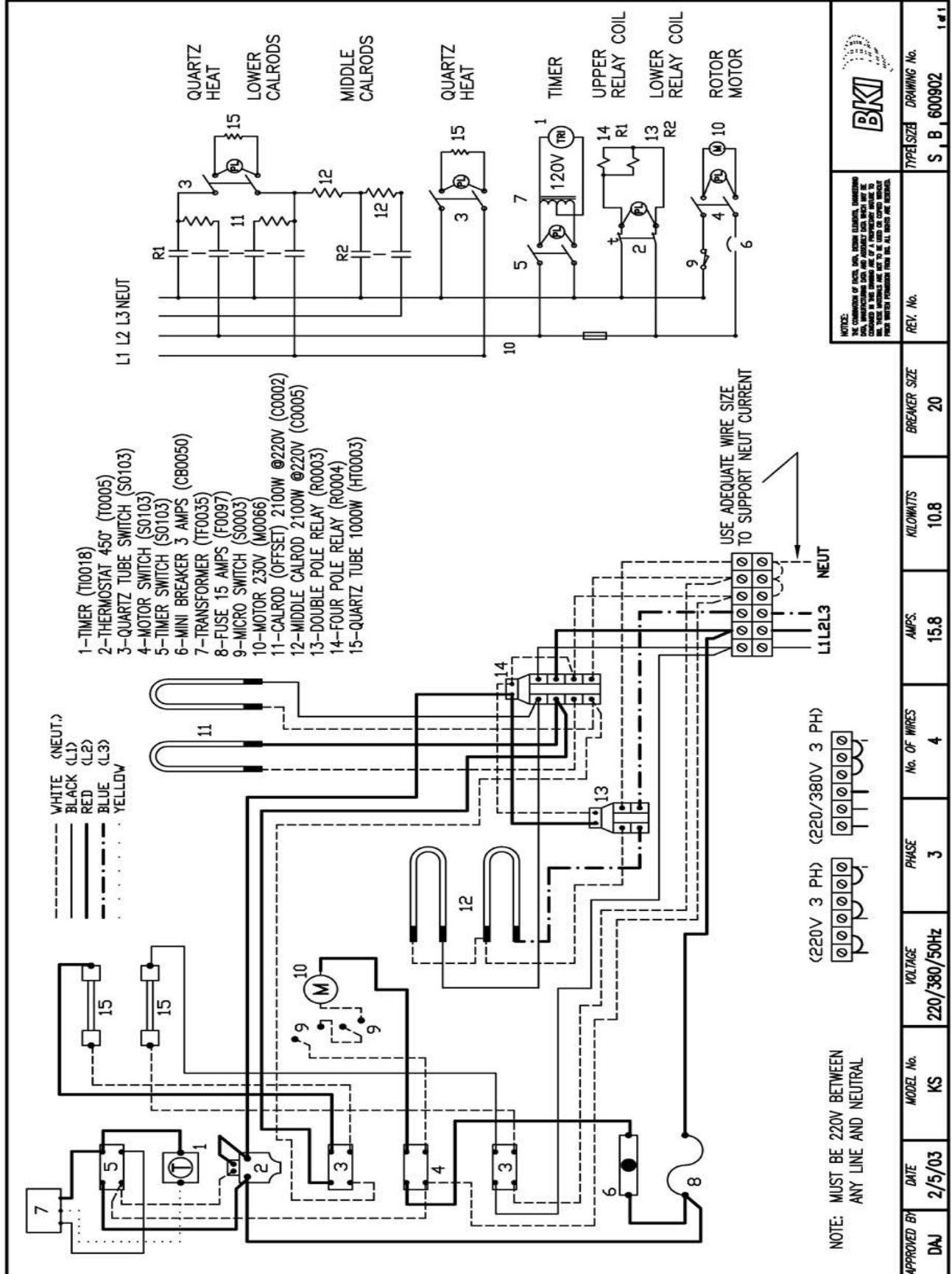




Figure 22. KS 208V/220V/240V/3 Phase

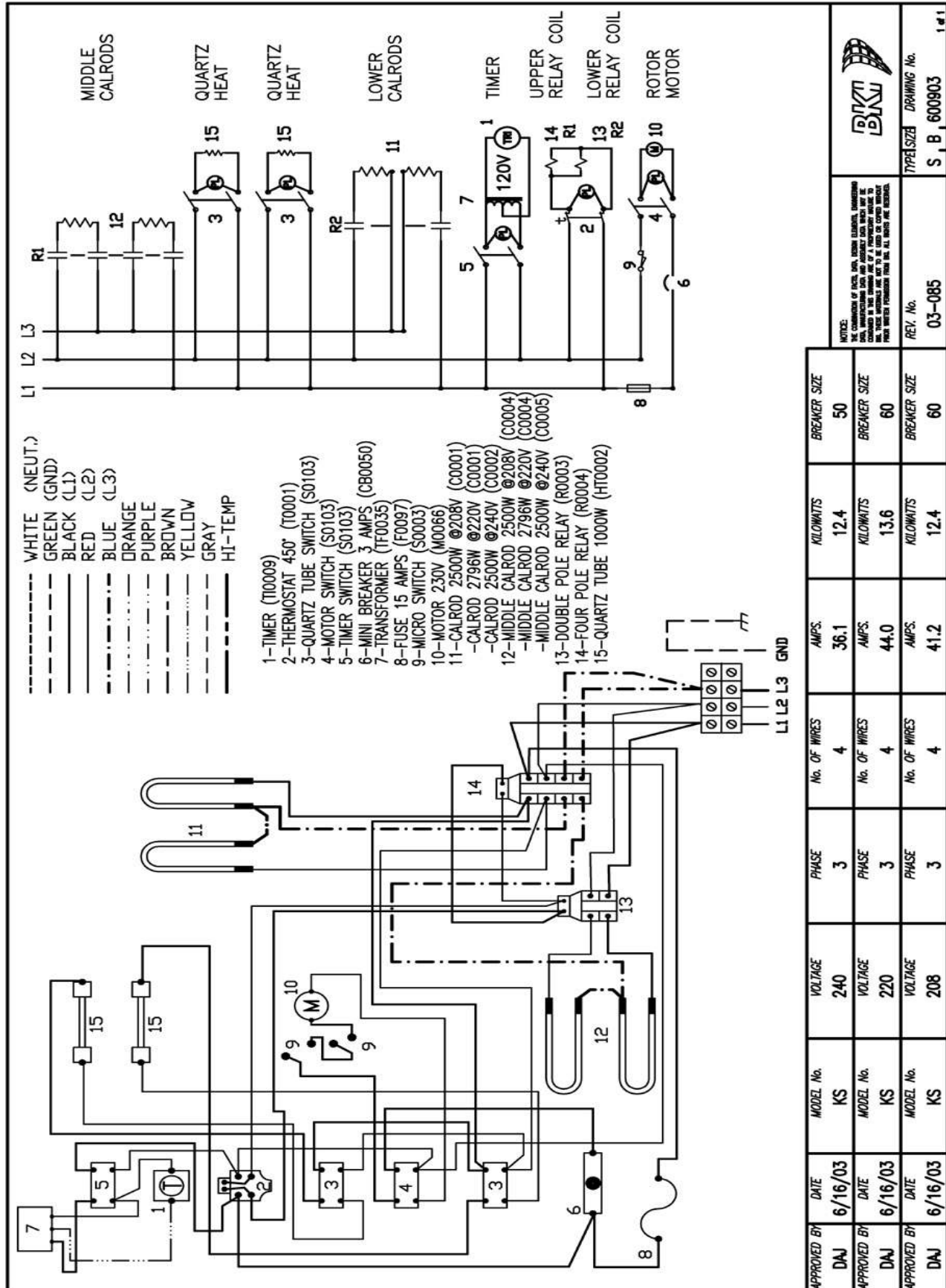


Figure 23. KS 120V/208V and 120V/240V/1-3 Phase

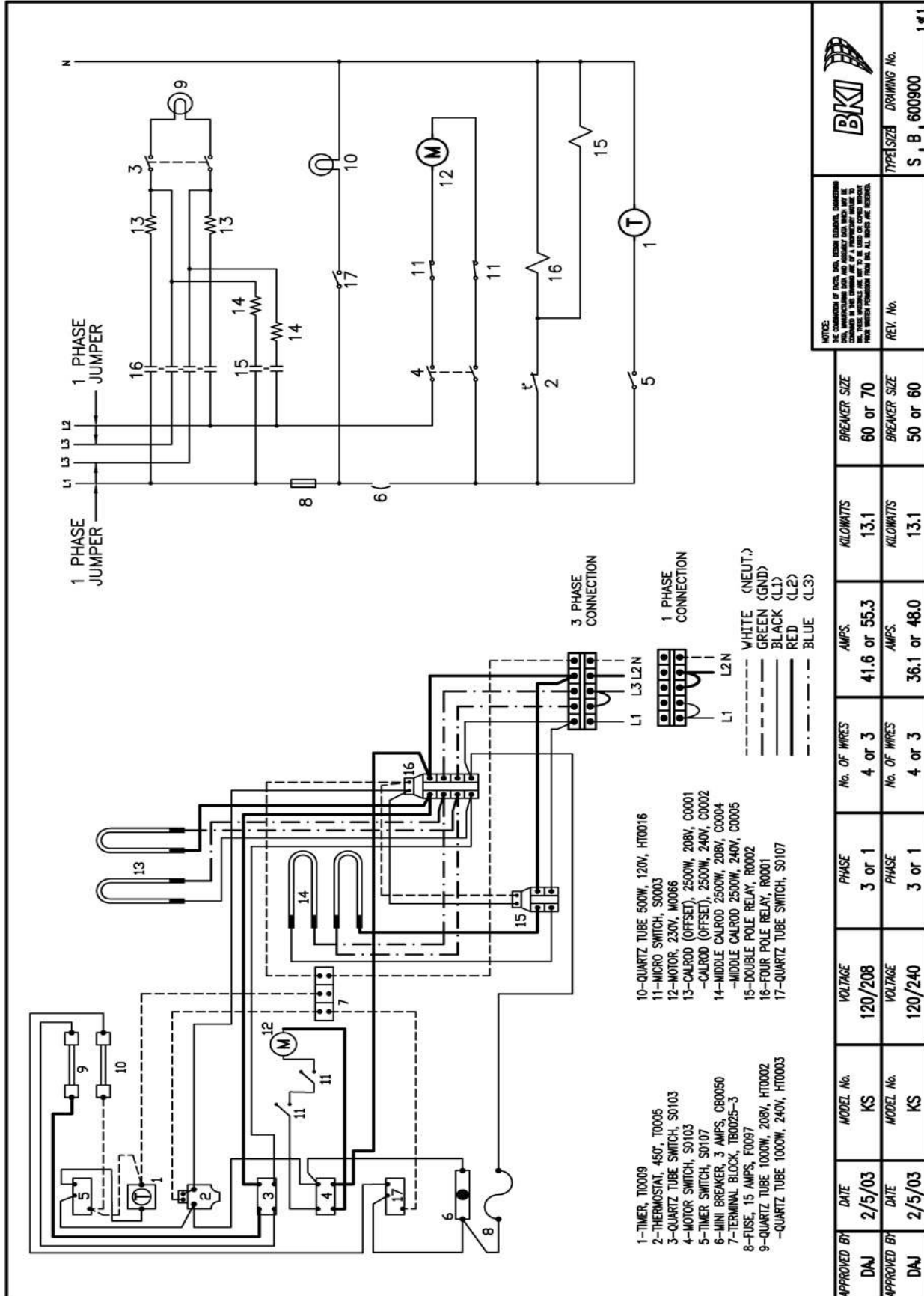


Figure 24. LMWS 120V/208V and 120V/240V/1 Phase

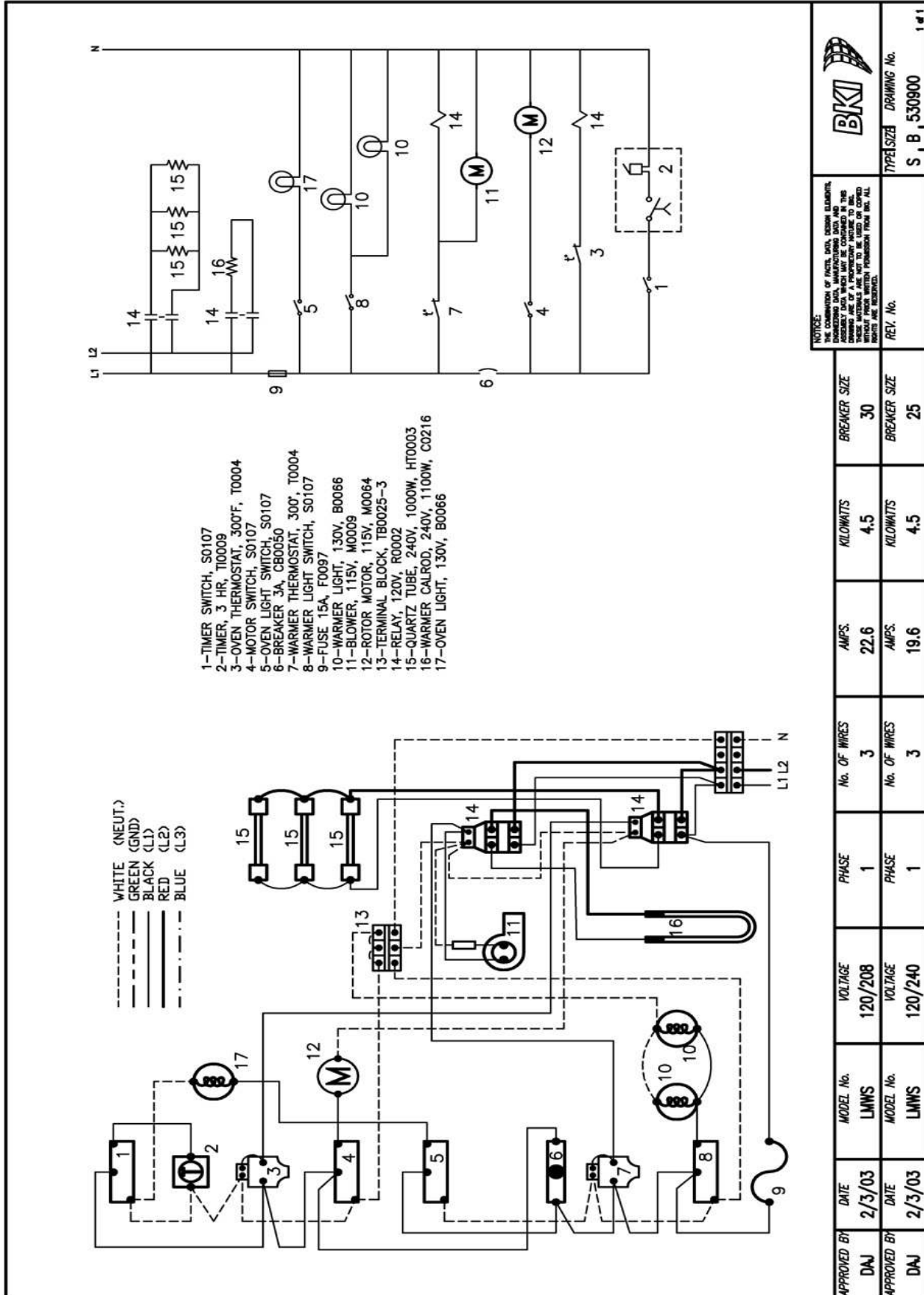


Figure 25. LMWS 120V/208V/60 HZ/3 Phase

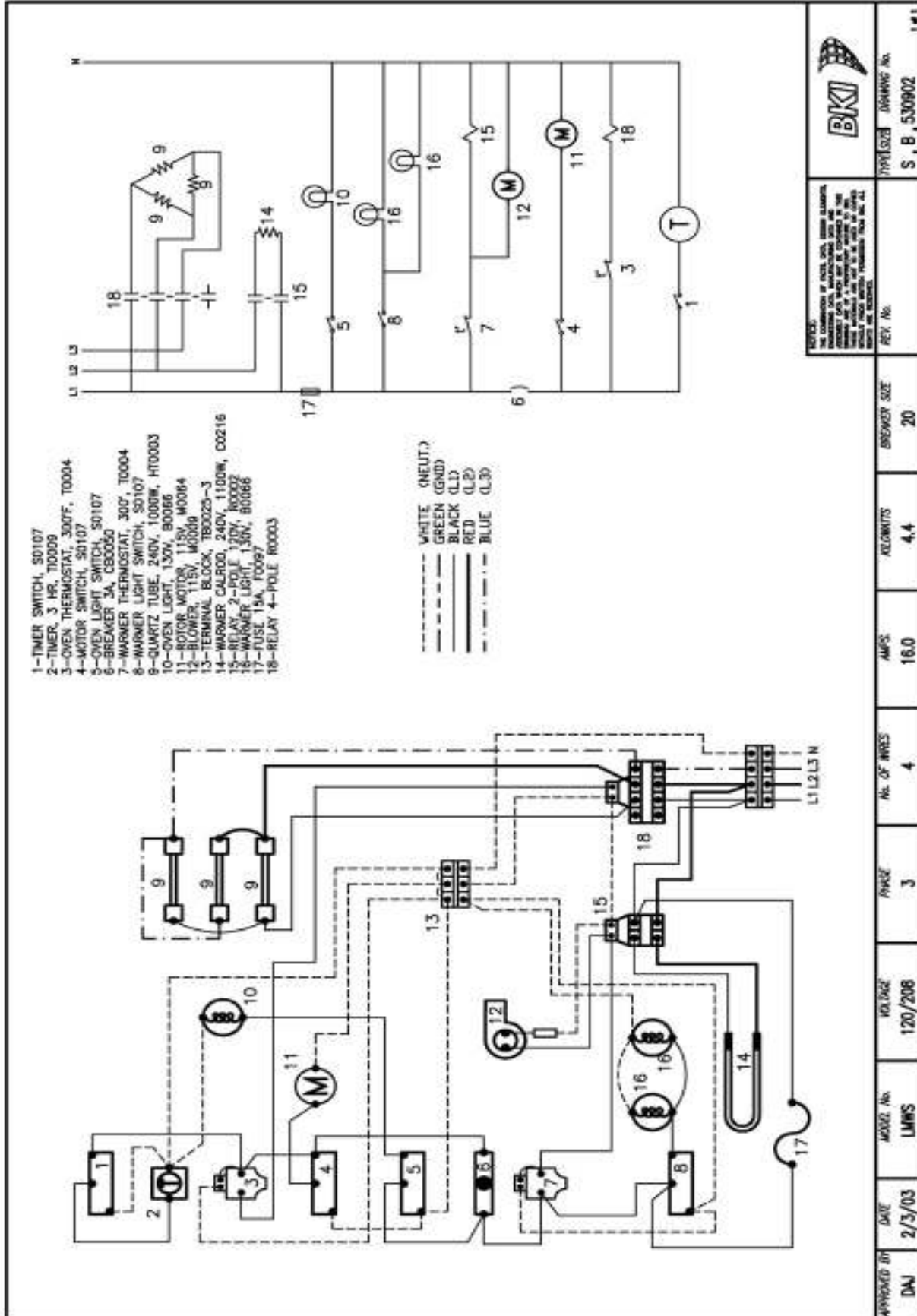




Figure 26. LMWS 208V/220V/230V/1 Phase

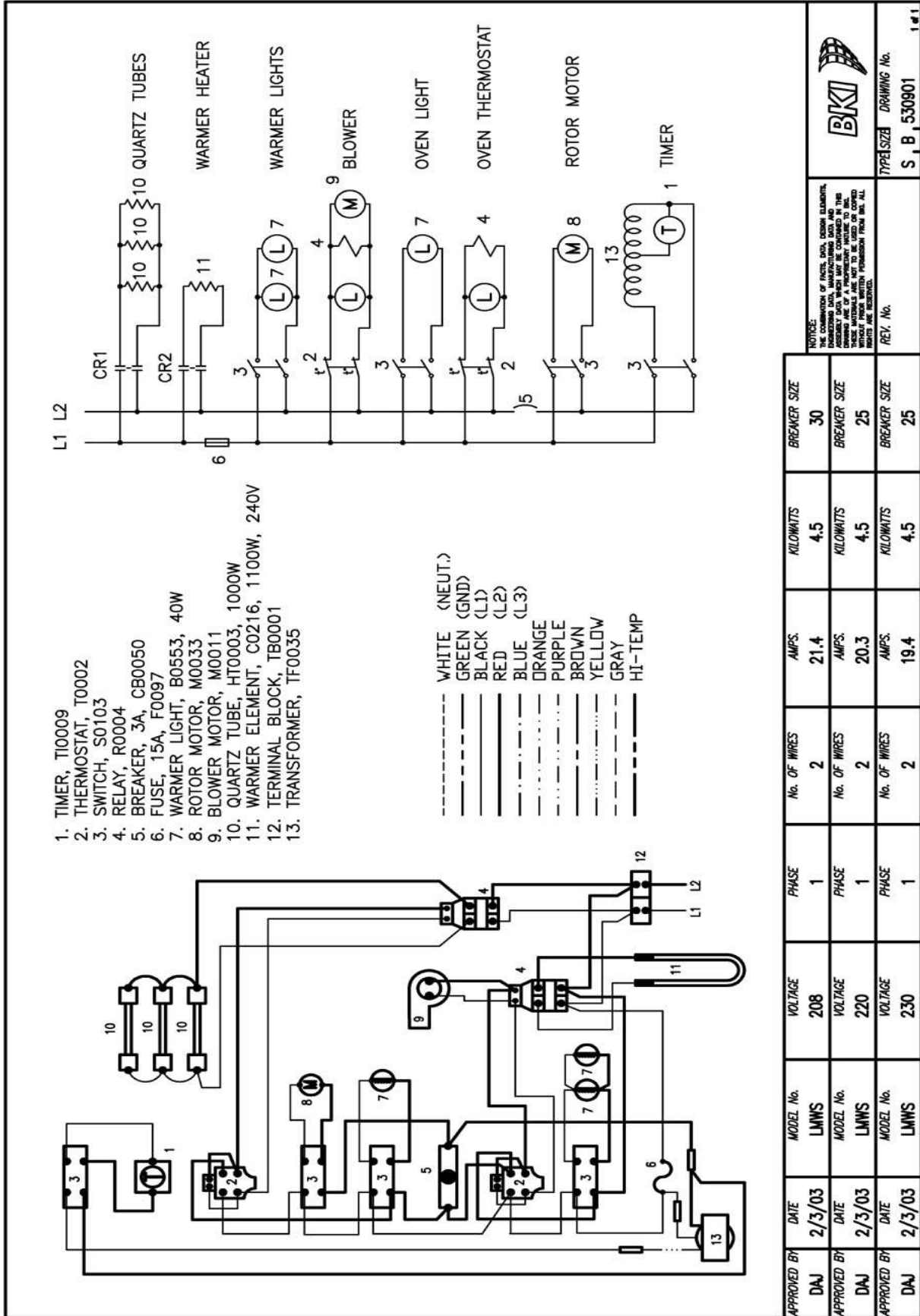
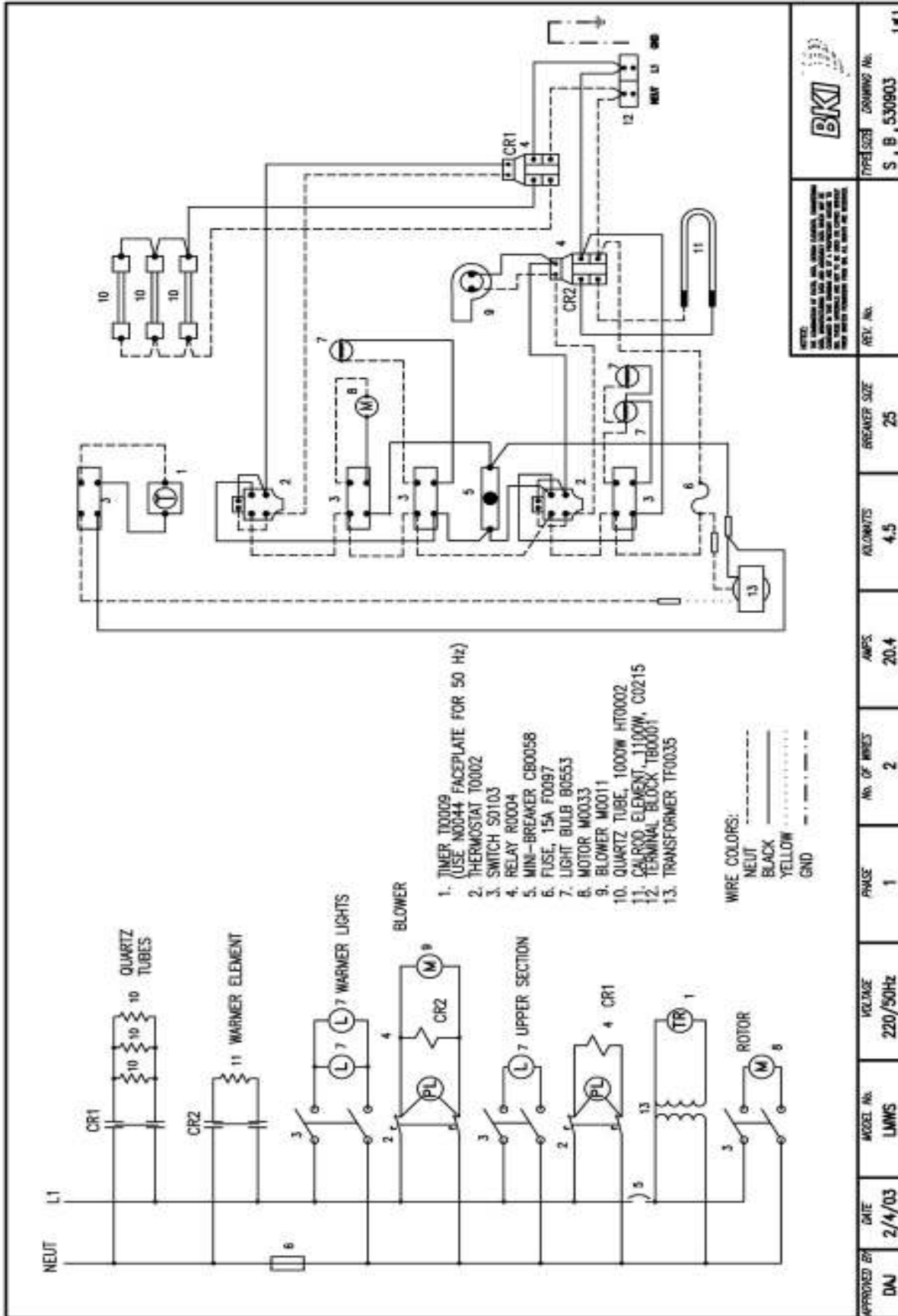


Figure 27. LMWS 220V/50 HZ/1 Phase



---

**Notes**



2812 Grandview Dr., Simpsonville, S.C. 29680, USA  
<http://www.bkideas.com>

Made and printed in the U.S.A  
LI0276/0407

CS-TM-029.01

Revised 3/27/13



---

**REVISION HISTORY**

<b><u>REVISION</u></b>	<b><u>DATE</u></b>	<b><u>REVISED BY</u></b>	<b><u>DESCRIPTION</u></b>
01	03/27/13	KW	Initial Release-Supersedes all previous releases