

Hot Food Deli Case

MODELS WDC, TSW, TCW, SSW, CSW

Service Manual

Serial Numbers 122556 and Higher



Warranty Information

LIMITED ONE YEAR WARRANTY

BKI (The "Company") warrants to the original purchaser/user, that at time of shipment from the Company factory, this equipment will be free from defect in materials and workmanship. Written notice of a claim under this Warranty must be given within **ONE YEAR AND THREE MONTHS** from date of shipment from the factory. Defective conditions caused by abnormal use or misuse, lack of maintenance, damage by third parties, alterations by unauthorized personnel, acts of God, failure to follow installation instructions or any other events beyond the control of the company will **NOT** be covered under Warranty. The obligation of the Company under this Warranty shall be limited to repairing or replacing (at the option of the company) any part which is defective in reasonable opinion of the Company. The user will have the responsibility and expense of removing and returning the defective part to the Company as well as the cost of reinstalling the replacement or repaired part.

IN NO EVENT SHALL THE COMPANY BE LIABLE FOR LOSS OF USE, LOSS OF REVENUE OR LOSS OF PRODUCT OR PROFIT OR FOR INDIRECT OR CONSEQUENTIAL DAMAGES INCLUDING BUT NOT LIMITED TO, FOOD SPOILAGE OR PRODUCT LOSS. WARRANTY DOES NOT COVER GLASS BREAKAGE. THE ABOVE WARRANTY IS EXCLUSIVE AND ALL OTHER WARRANTIES, EXPRESS OR IMPLIED, ARE EXCLUDED INCLUDING THE IMPLIED WARRANTIES OF MERCHANTABILITY AND FITNESS FOR A PARTICULAR PURPOSE. THIS WARRANTY SHALL APPLY ONLY WITHIN THE CONTINENTAL UNITED STATES, ITS TERRITORIES, AND POSSESSIONS AND IN CANADA.

LIMITED NINETY DAY LABOR WARRANTY

All labor necessary to repair or replace factory defective parts will be performed, without charge, to the end user, by service personnel of a **BKI** Authorized Distributor during the first ninety days after the date of installation of the new equipment.

Replacement parts: Any appliance replacement part, except lamps and fuses, which proves to be defective in material or workmanship within 90 days from date of original installation will be repaired or replaced without charge F.O.B. Factory, Simpsonville, S.C. or F.O.B. authorized distributor.

Table of Contents

Table of Contents	1
Introduction	2
Safety Precautions	2
Safety Signs and Messages	2
Specific Precautions	3
Safe Work Practices	3
Installation	5
Unpacking and Handling	5
Floor Model	5
Leveling	5
Kick Plate Mounting	6
End Panel Mounting	7
Pedestal Model	8
Leveling	8
Front and Rear Cover Attachment	9
End Panel Mounting	9
Counter Model	10
Wiring	10
Joining WDCTY Cases	11
Replacement Parts	12
Control Panel	12
Canopy & Lift Hardware	13
Heated Shelf	14
Wiring Diagrams	15

Introduction

Congratulations! You have chosen a **Hot Food Deli Case** that will give you many years of fine service from the original manufacturer, **BKI**.

The BKI name and trademark on this unit assures you of the finest in design and engineering -- that it has been built with care and dedication -- using the best materials available. Attention to the operating instructions regarding proper installation, operation, and maintenance will result in long lasting dependability to insure the highest profitable return on your investment.

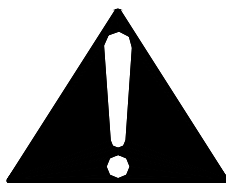
NOTICE

PLEASE READ THIS ENTIRE MANUAL BEFORE OPERATING THE UNIT. If you have any questions, please contact your BKI Distributor. If they are unable to answer your questions, contact the BKI Technical Service Department, toll free: 1-800-927-6887. Outside the U.S., call 1-864-963-3471.

This unit is to be sealed to the floor after installation to conform to NSF requirements. (Dow Corning RTV #732 Multi purpose Sealant.)

Safety Precautions

Always follow recommended safety precautions listed in this manual. Below is the safety alert symbol. When you see this symbol on your equipment, be alert to the potential for personal injury or property damage.



Safety Signs and Messages

The following Safety signs and messages are placed in this manual to provide instructions and identify specific areas where potential hazards exist and special precautions should be taken. Know and understand the meaning of these instructions, signs, and messages. Damage to the equipment, death or serious injury to you or other persons may result if these messages are not followed.

⚠ DANGER

This message indicates an imminently hazardous situation which, if not avoided, will result in death or serious injury.

⚠ WARNING

This message indicates a potentially hazardous situation, which, if not avoided, could result in death or serious injury.

⚠ CAUTION

This message indicates a potentially hazardous situation, which, if not avoided, may result in minor or moderate injury. It may also be used to alert against unsafe practices.

NOTICE

This message is used when special information, instructions or identification are required relating to procedures, equipment, tools, capacities and other special data.

Specific Precautions

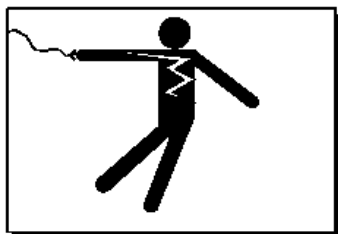
CAUTION Equipotential Ground Plane

When a high current flows through a conductor, differences in potential appear between the conductor and nearby metallic surfaces near the appliance. As a result, sparks may be produced between the appliance and surrounding metal surfaces. These sparks could cause serious injury, damage, or fire.

BKI provides an Equipotential ground terminal for the connection of a bonding conductor after the installation of the appliance per IEC60417-1. This terminal is located on the inside of the Power Entry Supply box near the Earth connection and is marked with this symbol.



Safe Work Practices



Beware of High Voltage

This equipment uses high voltage. Serious injury can occur if you or any untrained or unauthorized person installs, services, or repairs this equipment. Always Use an Authorized Service agent to Service Your Equipment



Keep this manual with the Equipment

This manual is an important part of your equipment. Always keep it near for easy access.

If you need to replace this manual, contact:

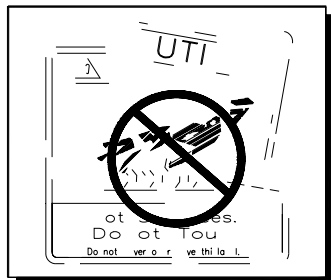
BKI
Technical Services Department
P.O. Box 80400
Simpsonville, S.C. 29680-0400
Or call toll free: 1-800-927-6887
Outside the U.S., call 864-963-3471



Protect Children

Keep children away from this equipment. Children may not understand that this equipment is dangerous for them and others.

NEVER allow children to play near or operate your equipment.

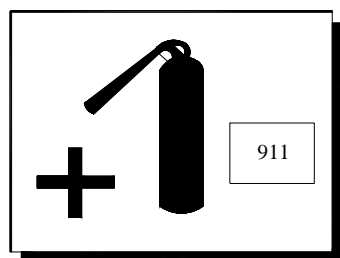


Keep Safety Labels Clean and in Good Condition

Do not remove or cover any safety labels on your equipment. Keep all safety labels clean and in good condition. Replace any damaged or missing safety labels.

If you need new safety labels, contact:

BKI
 Technical Services Department
 P.O. Box 80400
 Simpsonville, S.C. 29680-0400
 Or call toll free: 1-800-927-6887
 Outside the U.S., call 864-963-3471

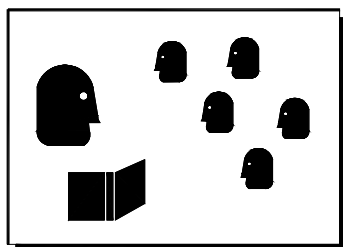


Be Prepared for Emergencies

Be prepared for fires, injuries, or other emergencies.

Keep a first aid kit and a fire extinguisher near the equipment. You must use a 40-pound Type BC fire extinguisher and keep it within 25 feet of your equipment.

Keep emergency numbers for doctors, ambulance services, hospitals, and the fire department near your telephone.



Know your responsibilities as an Employer

- Make certain your employees know how to operate the equipment.
- Make certain your employees are aware of the safety precautions on the equipment and in this manual.
- Make certain that you have thoroughly trained your employees about operating the equipment safely.
- Make certain the equipment is in proper working condition. If you make unauthorized modifications to the equipment, you will reduce the function and safety of the equipment.

Installation

Unpacking and Handling

YOU are responsible for filling all freight claims with the delivering truck line. Inspect all cartons and crates for damage as soon as they arrive. If damage to cartons or crates is found, or if a shortage is found, note this on the bill of lading (all copies) prior to signing.

If damage is found when the equipment is opened, immediately call the delivering truck line and follow up the call with a written report indicating concealed damage to your shipment. Ask for an immediate inspection of your concealed damage item. Packaging material **MUST** be retained to show the inspector from the truck line.

WARNING

Do not walk on top of deli cases or damage to the cases and serious personal injury could occur. The cases are not structurally designed to support excessive external loading such as the weight of a person. Do not place heavy objects on the deli cases.

Move the deli case as close as possible to its permanent location before moving the case off of the shipping pallet. Make certain there are no separately packed accessories before discarding packaging.

During shipment, the lubricant in the gas springs may have settled. This can cause the glass not to remain open in the raised position. To avoid this, fully raise and lower the glass manually 4 or 5 times.

Floor Model

Leveling

Deli cases must be installed level to insure proper operation and alignment to adjoining equipment. Use a carpenter's level as shown in Figure 1. Begin lineup leveling from the highest point of the store floor.

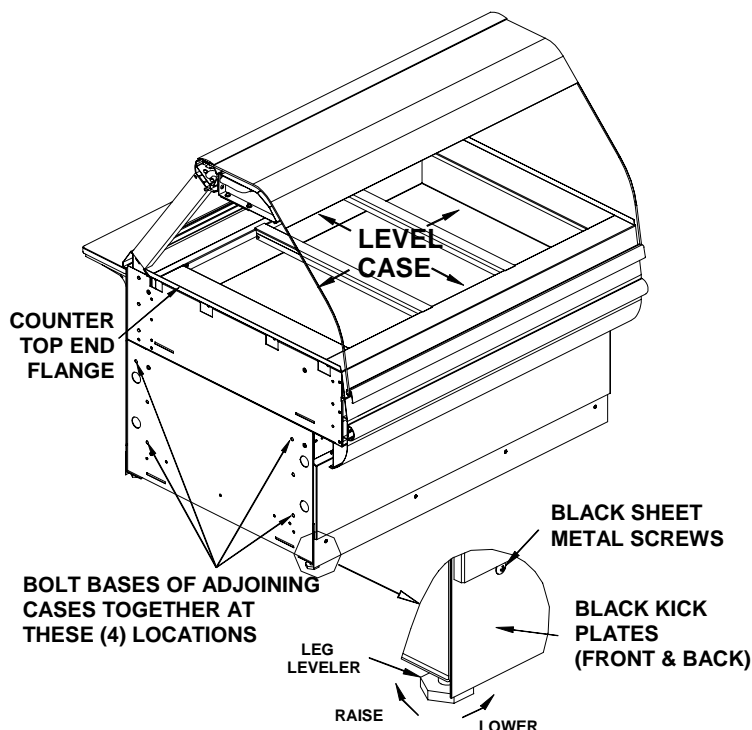


Figure 1. Floor Model - Leveling & Kick Plate Mounting

1. Level the case using the leg levelers at the corners of the case (Figure 1). 8 ft. cases have an additional pair of leg levelers in the center – don't forget to adjust these too.
2. Raise the low end of the case to level it, do not lower the high end.
3. Check for level side-to-side and front-to-back.
4. If you are installing adjoining cases, position the next case in line beside the level case and proceed to the next step.
5. Level this case in the same manner.
6. When level, bolt the two cases together at the locations shown in Figure 1.

NOTE: None of the end components shown in Figure 2 should be attached to adjoining case ends

If the cases have been properly leveled, the front panels and counter tops should align with a small, uniform gap between the front panels of the two cases.

7. Proceed in the same manner until all the cases in the line are level and bolted together.
8. Complete the line up by slipping the Counter Top Joint Cover over the end flanges of the adjoining counter tops.

Kick Plate Mounting

A black vinyl-covered kick plate is provided for the front and back of each case.

1. Slide the front kick plate (the wider of the two) behind the lower finished front panel of the case (see Figure 1).
2. Make certain that the ends of the kick plate are flush with the ends of the lower finished front panel and that the kick plate is flush to the floor.
3. Drill 5/32" diameter holes in the case base to match the pre-drilled holes in the kick plate.
4. Attach the kick plate to the case base with the black sheet metal screws provided.
5. Mount the back kick plate to the case in the same manner.
6. Place the End Kick Plates in position (see Figure 2).

NOTE: There are left and right hand parts. The longer end flange faces toward the front of the case with the black side out. The End Kick Plates fit over the ends of the front and back kick plates and flush to the floor.

End Panel Mounting

1. Now, attach the End Trim Panels to the base ends. The studs on the Trim Panels pass through the mounting holes in the base ends (see Figure 2). Both End Trim Panels are the same.
2. If the panel does not align properly turn it end for end. The panels are secured from inside with the #10 Palnuts provided.
3. Attach the End Panels to the ends of the case(s) as shown in Figure 2 using the shoulder screws provided. For Glass End Panels only, slide the plastic bushings provided over the shoulder screws before inserting the screw into the glass panel. Be careful that the screws do not bind in the holes in the glass panel.

NOTE: If the ends are already attached to the case, the End Kick Plates can be lowered to the floor. To do this loosen the End Trim Panel nuts from inside the case then slide the Kick Plates flush with the floor and tighten the Trim Panel nuts.

4. These cases are to be sealed to the floor if required by local health codes. Seal the kick plates to the floor using a silicone-type sealant (Dow Corning RTV #732 or equivalent).

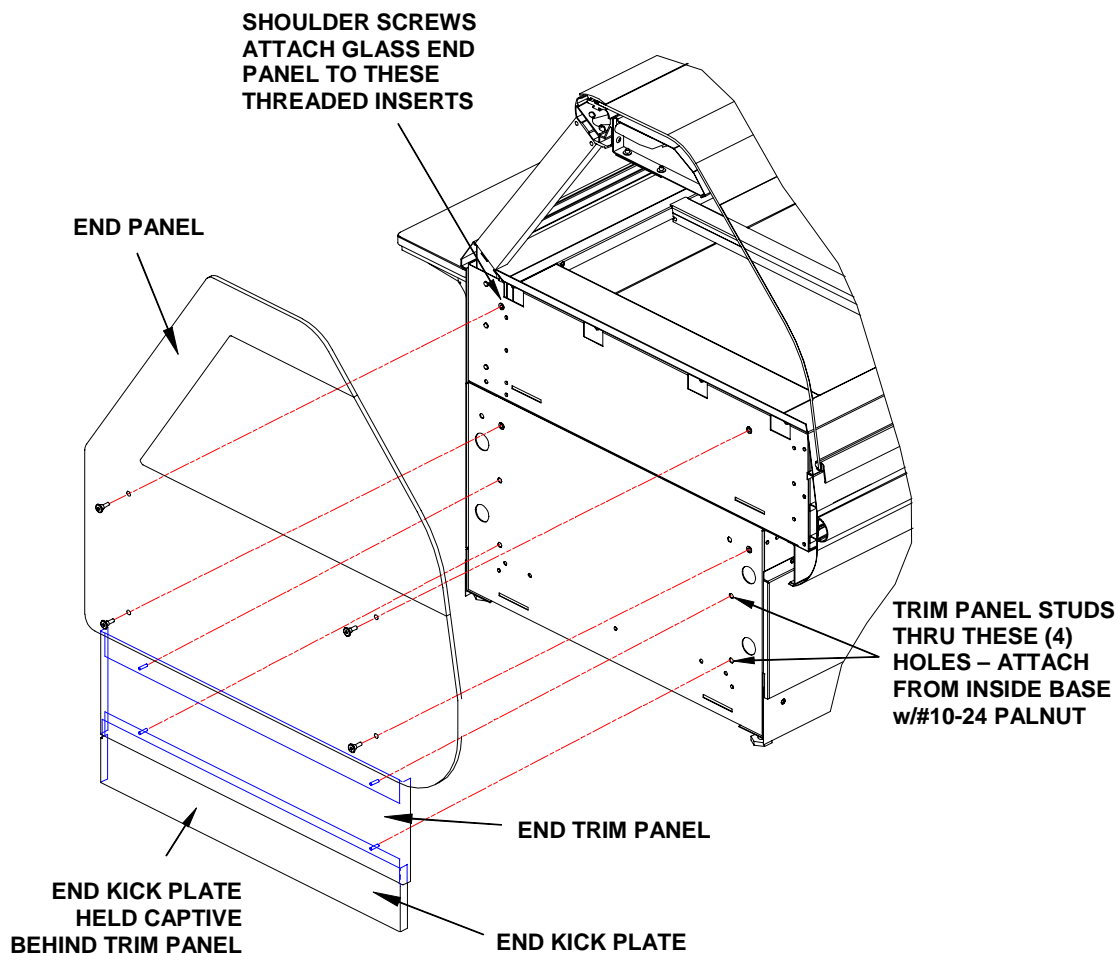


Figure 2. Floor Model - End Kick Plate & End Panel Mounting

Pedestal Model

Pedestal mounted cases are provided with a mounting frame that runs the full length of the case. This allows the pedestals to be located at any point along the length of the case. Each case should be supported by at least two pedestals. One pedestal can support the ends of two adjoining cases. If in doubt, consult the factory for assistance in determining the proper pedestal locations for your particular installation.

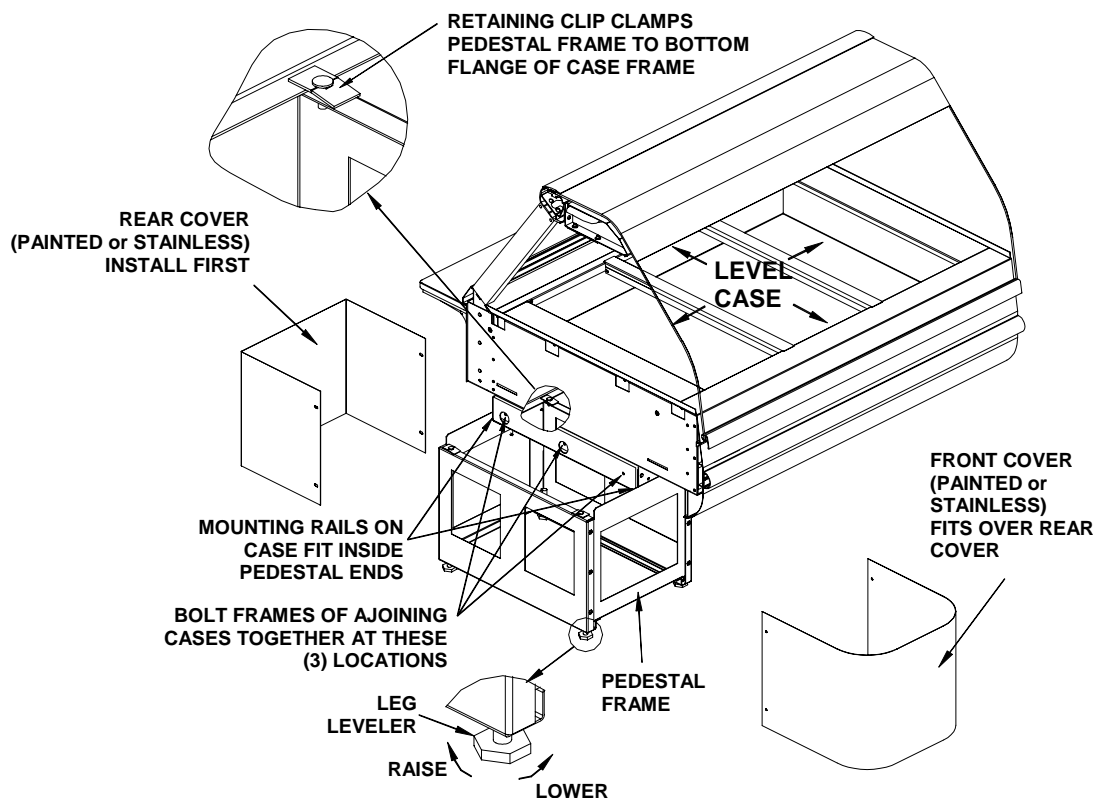


Figure 3. Pedestal Model - Leveling and Cover Attachment

Leveling

Deli cases must be installed level to insure proper operation and alignment to adjoining equipment. Use a carpenter's level as shown in Figure 3. Begin lineup leveling from the highest point of the store floor.

1. Level the case using the leg levelers at the corners of the pedestals (see Figure 3).
2. Raise the low end of the case to level it, do not lower the high end.
3. Check for level side-to-side and front-to-back.
4. If you are installing adjoining cases, position the next case in line beside the level case and proceed to the next step.
5. Level this case in the same manner.
6. When level, bolt the two cases together at the locations shown in Figure 3. If the cases have been properly leveled, the front panels and counter tops should align with a small, uniform gap between the front panels of the two cases.

7. Proceed in the same manner until all the cases in the line are level and bolted together.
8. Complete the line up by slipping the Counter Top Joint Cover over the ends flanges of the adjoining counter tops.

Front and Rear Cover Attachment

1. Slide the Rear Cover over the Pedestal Frame first (see Figure 3). Then slide the Front Cover over the Frame with the sides of the Front Cover lapping over the side of the Rear Cover. The Front Cover will extend approximately 4-1/2" from the front of the frame.
2. Drill two 5/32" diameter holes in each side of the Pedestal Frame to match the predrilled holes in the covers.
3. Secure the covers to the frame using the #8 sheet metal screws provided.
4. These cases are to be sealed to the floor if required by local health codes. Seal the pedestal covers to the floor using a silicone-type sealant (Dow Corning RTV #732 or equivalent).

End Panel Mounting

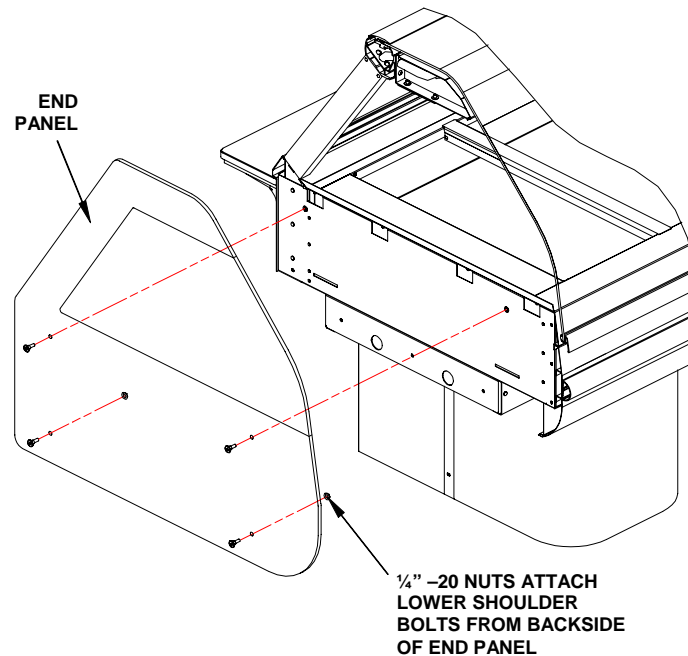


Figure 4. Pedestal Model - End Panel Mounting

1. Attach the End Panels to the ends of the case(s) as shown in Figure 4 using the shoulder screws provided.
2. Attach the (2) lower shoulder screws to the End Panel with the 1/4"-20 nuts provided. For Glass End Panels only, slide the plastic bushings provided over the shoulder screws before inserting the screw into the glass panel. Be careful that the screws do not bind in the holes in the glass panel.

Counter Model

Counter Mounted cases must be mounted on a level surface that can support the weight of the case and its contents. Use a carpenter's level as shown in Figure 3 to level the case.

These cases are to be sealed to the counter if required by local health codes. Seal the perimeter of the case to the counter using a silicone-type sealant (Dow Corning RTV #732 or equivalent).

Attach the End Panels to the ends of the case as shown in Figure 4 using the shoulder screws provided. The (2) lower shoulder screws shown in Figure 4 are not required on counter mounted cases.

For Glass End Panels only, slide the plastic bushings provided over the shoulder screws before inserting the screw into the glass panel. Be careful that the screws do not bind in the holes in the glass panel.

Wiring

A wiring diagram for the specific model is shipped with the deli case. The wiring diagram provides electrical specifications, an electrical schematic and a parts list. Refer to this wiring diagram and the deli case serial number plate for electrical information.

Field wiring must be sized for the components amperes printed on the serial number plate. Actual ampere draw may be less than specified.

All electrical connections should be in compliance with the NEC and all applicable local codes by a licensed electrician. Refer to the wiring diagram furnished with your case for the electrical specifications.

The power supply connection is located on the bottom of the well compartment of the case (see Figure 5). Two $\frac{3}{4}$ x 1 knockouts are provided for the required conduit connection. A second power supply connection for the oven is provided on oven combo cases.

A wiring cutout is provided in the base bottom pan on floor model cases (see Figure 5). Refer to the case specification sheet for the location of this cutout. Remove the cover over the wiring cutout and route the wiring through the cutout. Cut a hole of the proper size and location in the cover for the conduit to pass through and reinstall the cover.

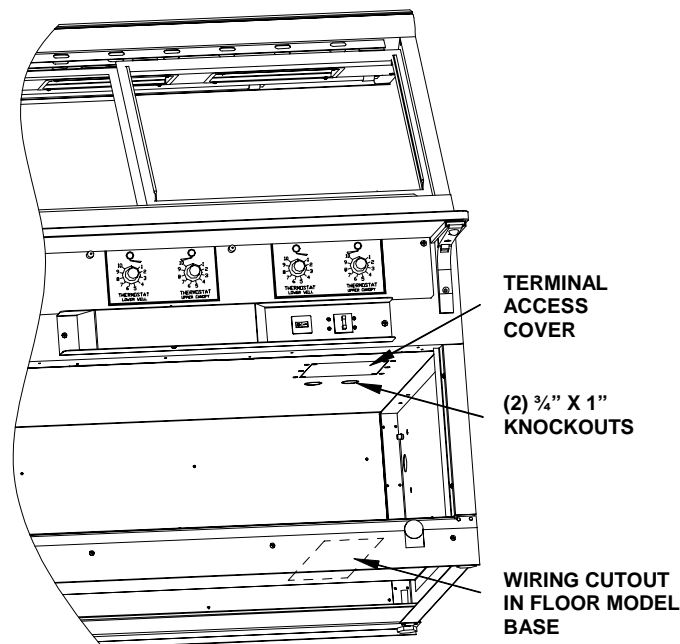


Figure 5. Wiring Access

Joining WDCTY Cases

1. After leveling the cases and bolting the bases together, bolt the canopies together.
2. Remove the screws from the back of the top inner covers (with lights) on each case and allow them to swing forward.
3. Connect the canopies using the $\frac{1}{4}$ "-20 X 3" bolt and nut provided (see Figure 6, View A-A). Replace the top inside covers.
4. Mount the Platform, Counter Trim and Base Front Joint Covers by holding them in place and marking the hole locations on the case.
5. Make certain the joint covers are centered on the joint and that they align vertically with each other.
6. Drill the case holes $\frac{5}{32}$ " and attach joint covers with screws provided. Black screws are to be used on the Platform Cover and the Base Front Cover if painted black.

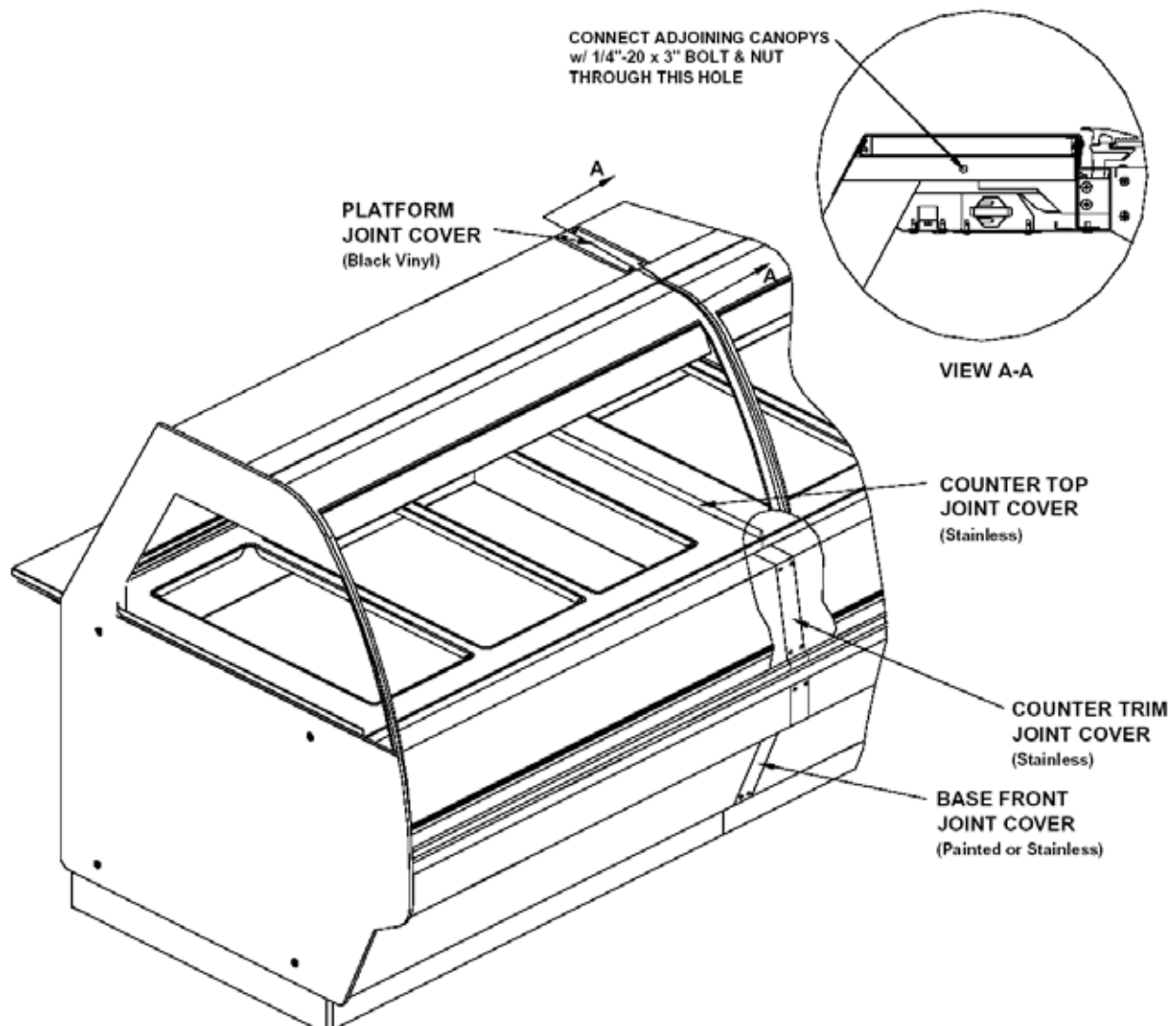
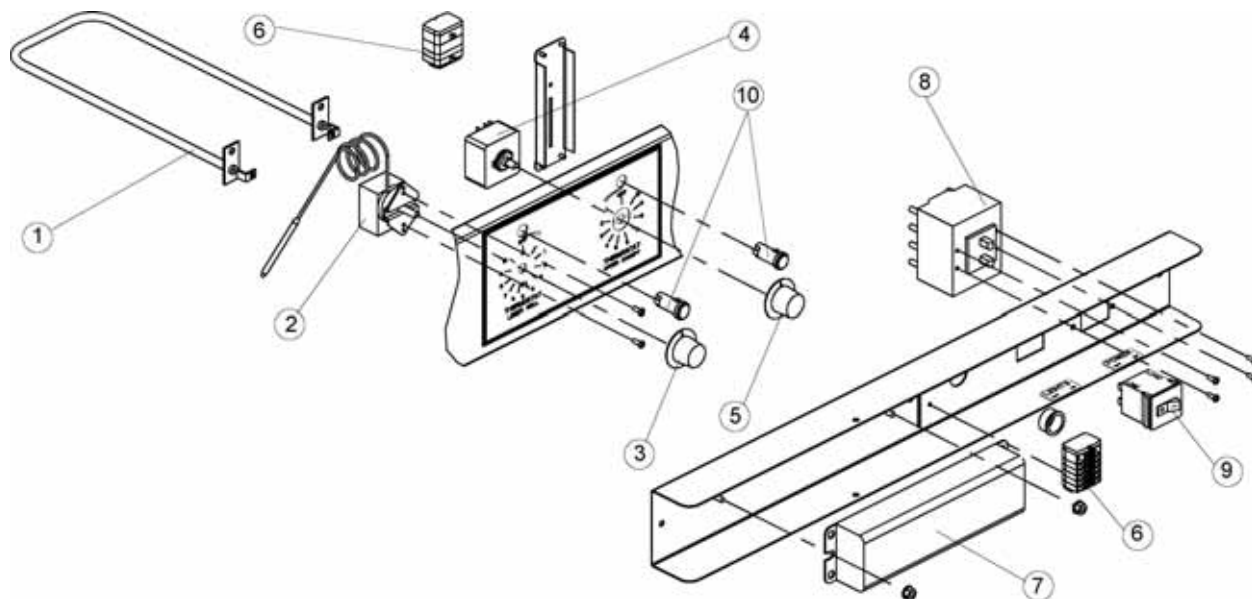


Figure 6. Joining WDCTY Cases

Replacement Parts

Use the information in this section to identify replacement parts. To order replacement parts, call your local BKI sales and service representative. Before calling, please note the serial number on the rating tag affixed to the unit.

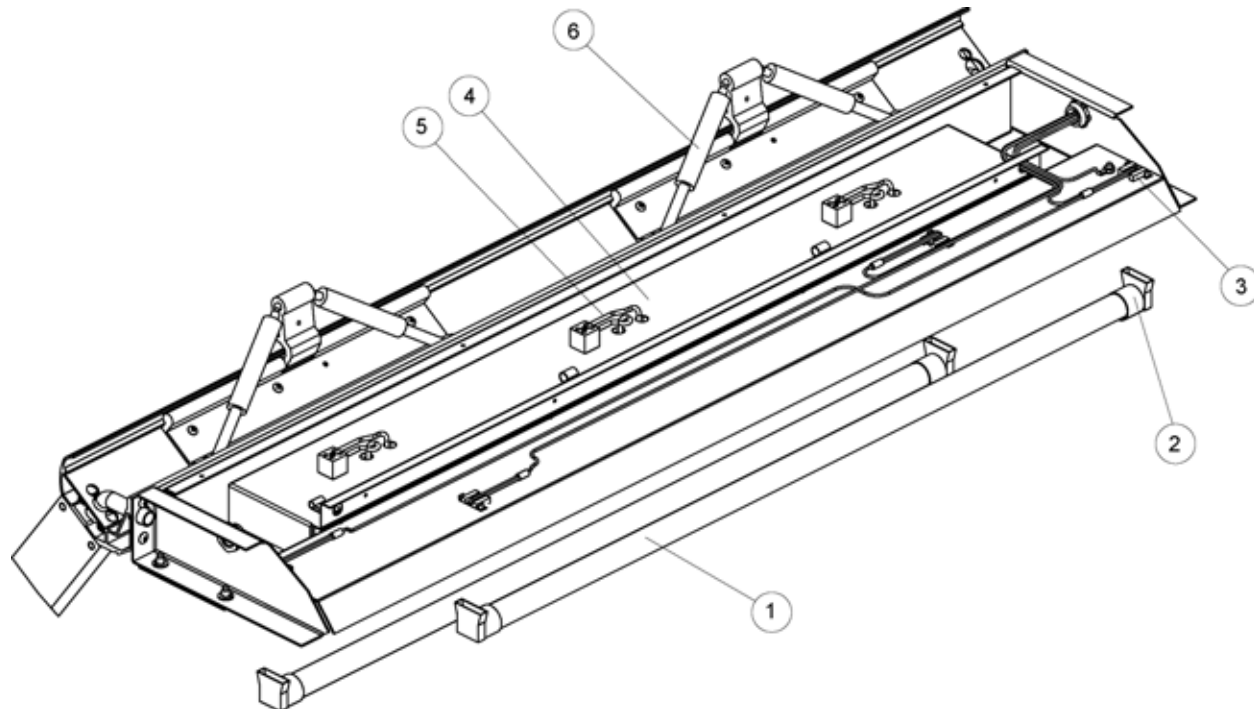
Control Panel



ITEM #	PART #	DESCRIPTION
1	C0285	CALROD, 208V 1000W
	C0286	CALROD, 240V 1000W
	C0296	CALROD, 208V 1112W
	C0298	CALROD, 240V 1112W
2	T0095	THERMOSTAT, 250V 450 DEG
3	K0049	KNOB, 6MM D SHAFT W/INDICATOR
4	S0141*	SWITCH, INFINITE 240V-1245W
5	K0040	KNOB, S/S STRAT T0075
6	TB0064	TERM BLOCK 4 CONDUCTOR CTR
	TB0065	TERM BLOCK 4 CONDUCTOR W/MTG FOOT
	TB0066	TERM BLOCK 2 CONDUCTOR CTR
	TB0067	TERM BLOCK 2 CONDUCTOR
	TB0068	TERM BLOCK END PLATE
	TB0069	TERM BLOCK JUMPER BAR
7	B0084	BALLAST, 3XF32T8 OR 2XF40T8
8	S0341	SWITCH, DISCONNECT 4P 50A
9	CB0065	BREAKER, CIRCUIT 2.5A 250V 2P
10	PL0004	PILOT LIGHT, ROUND 250V

* - Replace S0141 with assembly AN6778710S containing the S0141 switch, B0058 bracket and NUT282 nut.

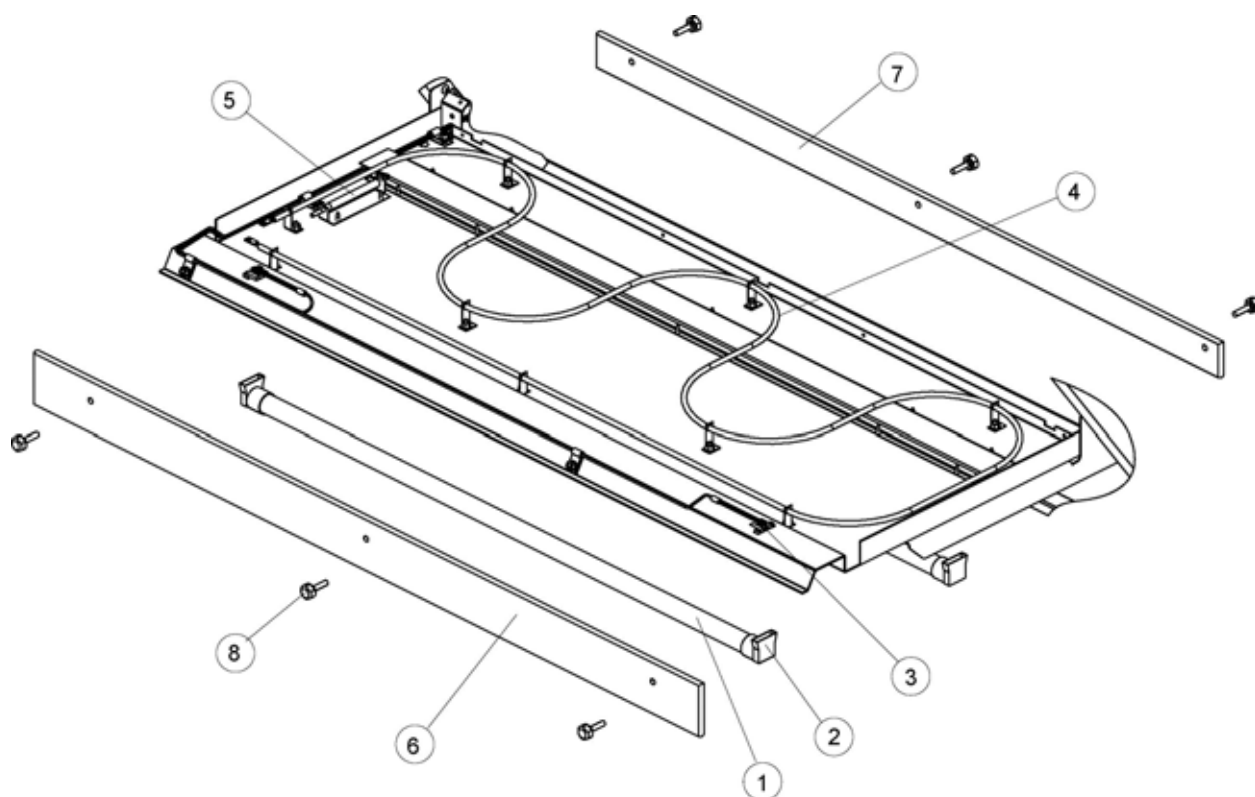
Canopy & Lift Hardware



ITEM #	PART #	DESCRIPTION
1	FL0041*	LAMP, FLUORESCENT GS U83001F25/T8 830
	FL0042*	LAMP, FLUORESCENT GS U83321F32/T8 830
	FL0043*	LAMP, FLUORESCENT GS U84001F40/T8 830
2	HI0014	LAMPHOLDER SHROUD, HI TEMP
3	HI0013	HARNESS, 8FT LIGHT CHANNEL
4	C0057	CERAMIC HEATER 400W FULL SIZE 220/240V
5	I0029	FIBERGLASS SLEEVING SIZE 2 3.5"
6	HI0105**	GAS RAM 400N HUSSMANN IMPACT
	HI0108**	GAS RAM 100N HUSSMANN IMPACT
	VH0432**	GAS RAM 200 RADIAL HDWE
	VH0433**	GAS RAM 300N RADIAL HDWE

* - To maintain NSF compliance, replace with BKL lamps only

** - Requires HI0110 Installation Tool

Heated Shelf

ITEM #	PART #	DESCRIPTION
1	FL0041*	LAMP, FLUORESCENT GS U83001F25/T8 830
	FL0042*	LAMP, FLUORESCENT GS U83321F32/T8 830
	FL0043*	LAMP, FLUORESCENT GS U84001F40/T8 830
2	HI0014	LAMPHOLDER SHROUD, HI TEMP
3	HI0013	HARNES, 8FT LIGHT CHANNEL
4	C0081	CALROD, 208V 1000W TSW4/8 SHELF
	C0082	CALROD, 208V 1500W TSW6 SHELF
	C0085	CALROD, 240V 1000W TSW4/8 SHELF
	C0086	CALROD, 240V 1500W TSW6 SHELF
5	T0006	THERMOSTAT, 110/208 300 DEG
6	G0108	GUARD, FRONT SHELF TSW 48"
	G0110	GUARD, FRONT SHELF TSW 72" CASE
	G0112	GUARD, FRONT SHELF DRTSW 48"
	G0113	GUARD, FRONT SHELF DRTSW 72"
7	G0109	GUARD, REAR SHELF TSW4-8
	G0111	GUARD, REAR SHELF TSW6
8	K0050	KNOB, CLAMP W/1/4-20 X 1" STUD

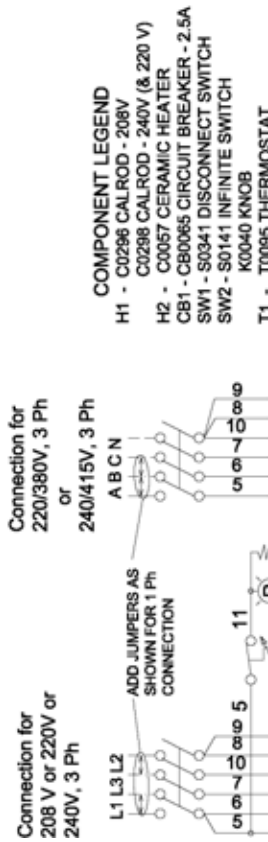
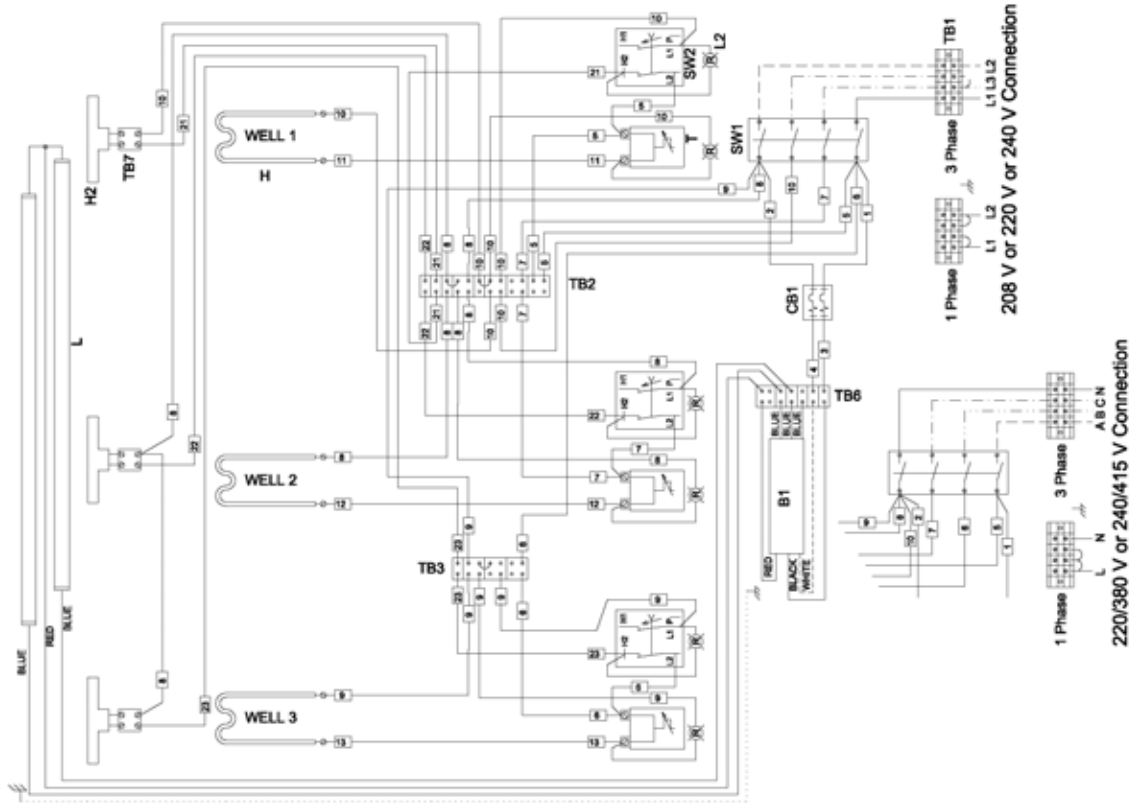
* - To maintain NSF compliance, replace with BKI lamps only.

Wiring Diagrams

Refer to the table below to find the wiring diagram associated with your unit.

WIRING DIAGRAM	DRAWING #	FIGURE #	PAGE #
Model SSW-4/CSW-4	SB67893500 SB67894200	Figure 7	16
Model SSW-6/CSW-6	SB67893600 SB67894300	Figure 8	17
Model SSW-8/CSW-8 (Sheet 1 of 2)	SB67893700 SB67894400	Figure 9	18
Model TSW-4/TCW-4	SB68492000 SB68492500	Figure 10	20
Model TSW-6/TCW-6	SB68492100 SB68492600	Figure 11	21
Model TSW-8/TCW-8 (Sheet 1 of 2)	SB68492200 SB68492700	Figure 12	22
Model WDC-3	SB67695600 SB67696200	Figure 13	24
Model WDC-4/2L	SB67792800 SB67793800	Figure 14	25
Model WDC-4/2R	SB67792900 SB67793900	Figure 15	26
Model WDC-4/4L (Sheet 1 of 2)	SB67793000 SB67794000	Figure 16	27
Model WDC-4/4R (Sheet 1 of 2)	SB67793100 SB67794100	Figure 17	29
Model WDC-5	SB67695800 SB67696400	Figure 18	31
Model WDC-6/2L (Sheet 1 of 2)	SB67793300 SB67794200	Figure 19	32
Model WDC-6/2R (Sheet 1 of 2)	SB67793700 SB67794300	Figure 20	34
Model WDC-7 (Sheet 1 of 2)	SB67695900 SB67696500	Figure 21	36

Figure 7. Model SSW-4/CSW-4



- COMPONENT LEGEND**
- H1 - C0296 CAL ROD - 208V
 - C0298 CAL ROD - 240V (& 220 V)
 - H2 - C0057 CERAMIC HEATER
 - CB1 - CB0065 CIRCUIT BREAKER - 2.5A
 - SW1 - S0341 DISCONNECT SWITCH
 - SW2 - S0141 INFINITE SWITCH
 - K0040 KNOB
 - T1 - T0095 THERMOSTAT
 - K0049 KNOB
 - B1 - B0084 ELECTRONIC BALLAST
 - L1 - FL0041 FLUORESCENT LAMP
 - HI0014 SHROUD
 - L2 - PL0004 PILOT LIGHT - RED
 - TB1 - TB0082 TERMINAL BLOCK - 4P
 - TB2 - TB0064 4 cond. MTG. TERM. SEC. thru TB0065 4 cond. MTG. TERM. SEC.
 - TB6 - TB0066 2 cond. TERM. SECTION TB0067 2 cond. MTG. TERM. SEC TB0068 END PLATE
 - TB0069 JUMPER
 - TB7 - TB0059 TERMINAL BLOCK

- WIRE LEGEND**
- BLACK
 - RED
 - BLUE
 - YELLOW

VOLTAGE (volts)	PHASE WIRES	WIRE	POWER (kW)	CURRENT (amps)	CIRCUIT BREAKER
208	3/1	4/3	4.3	12.0 / 20.8	20 / 30
220	3/1	4/3	3.9	10.2 / 17.7	15 / 25
240	3/1	4/3	4.6	11.8 / 19.4	15 / 25
220/380	3/1	4/2	3.9	5.9 / 17.8	10 / 20
240/415	3/1	4/2	4.6	6.5 / 19.4	10 / 20

CONSULT UNIT RATING TAG PRIOR TO ELECTRICAL

Figure 8. Model SSW-6/CSW-6

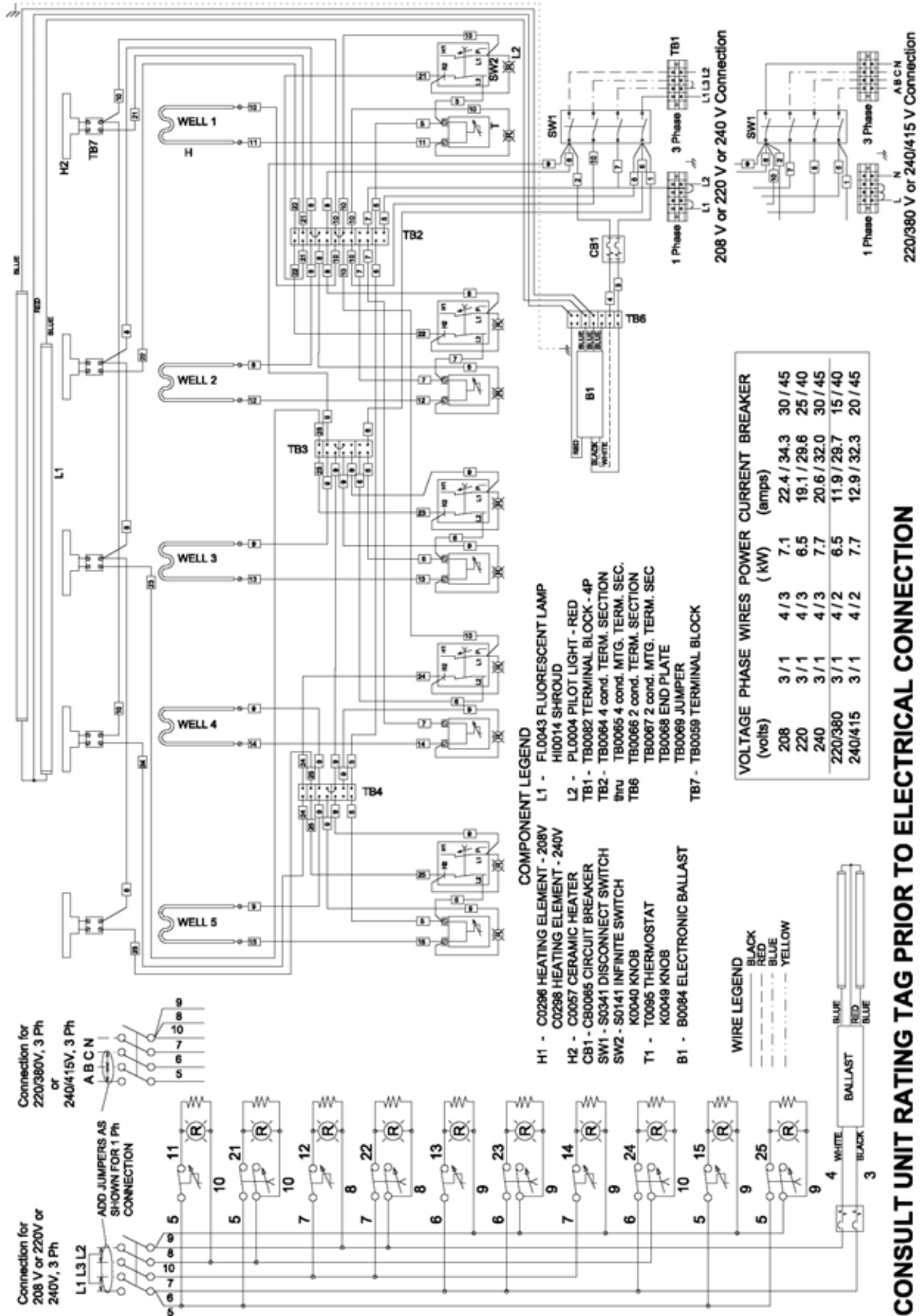


Figure 9. Model SSW-8/CSW-8 (Sheet 1 of 2)

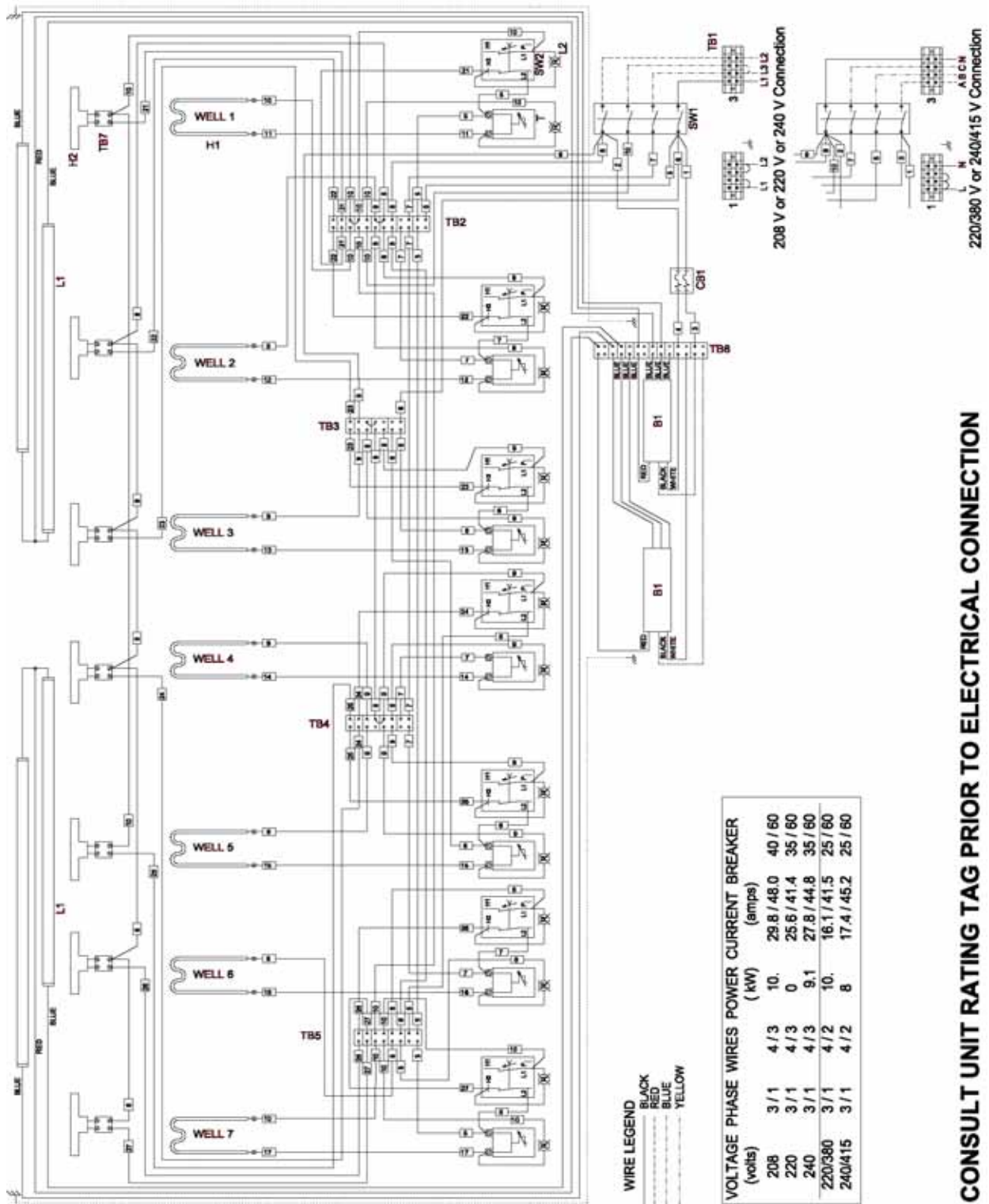


Figure 9. Model SSW-8/CSW-8 (Sheet 2 of 2)

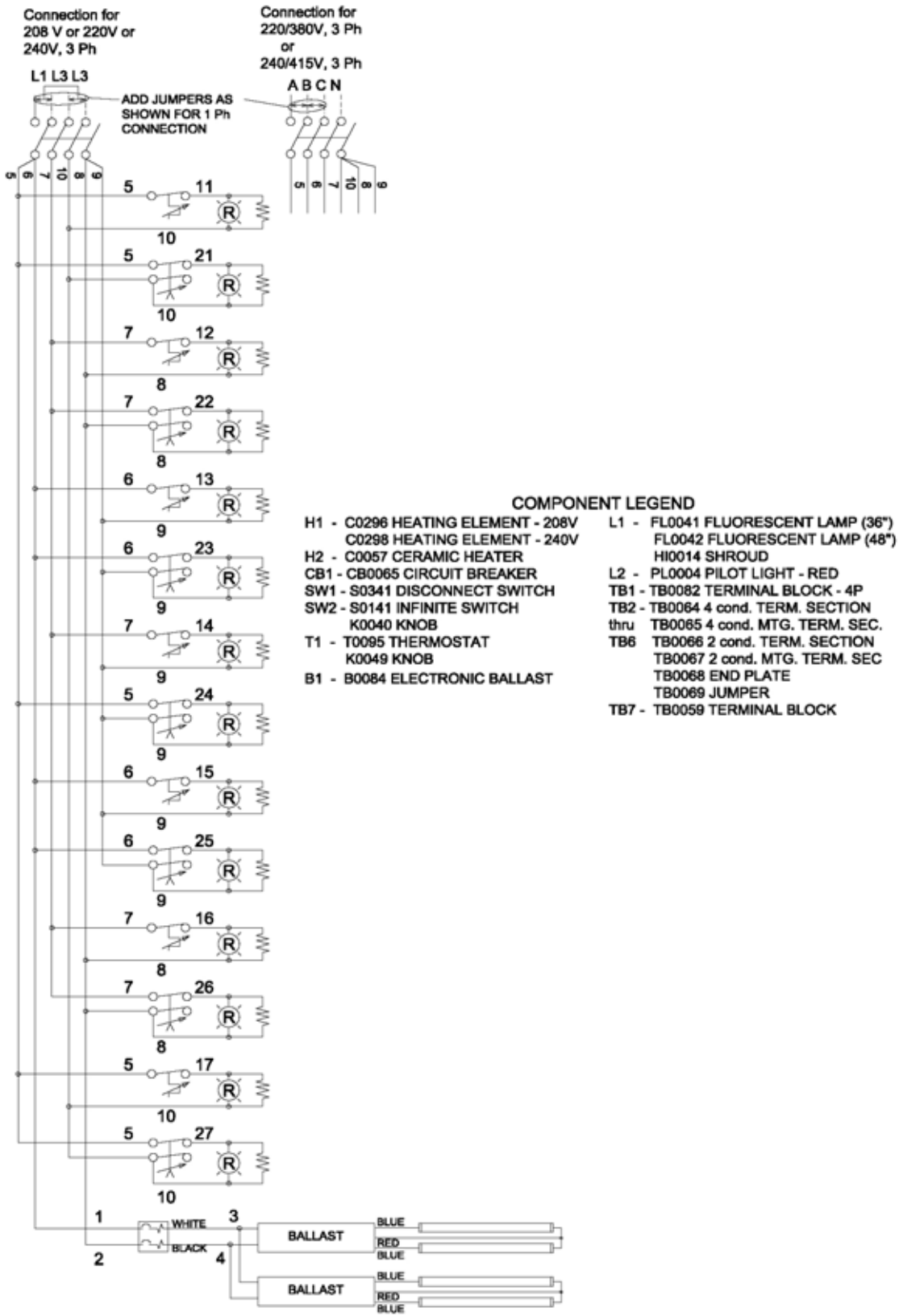


Figure 10. Model TSW-4/TCW-4

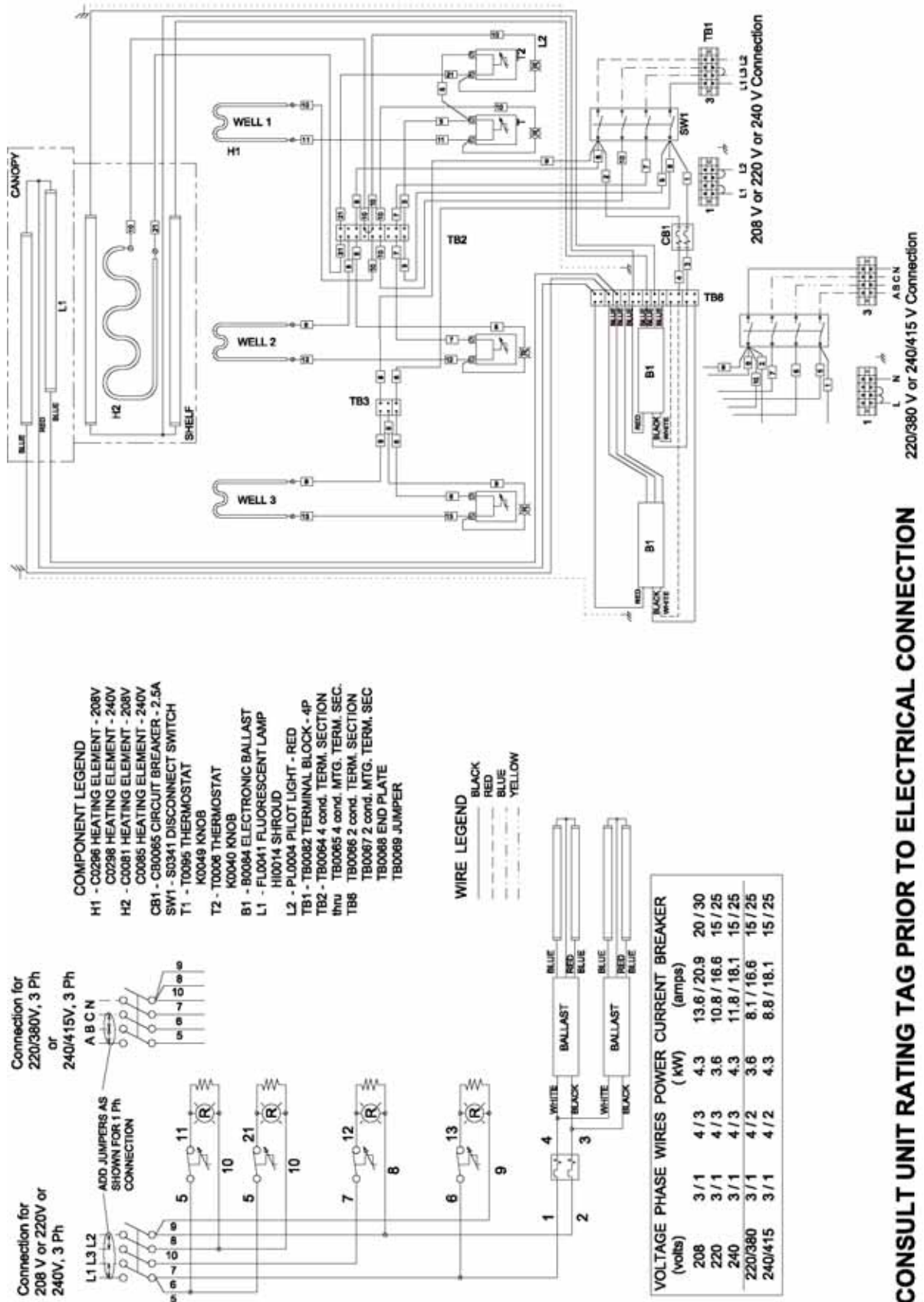
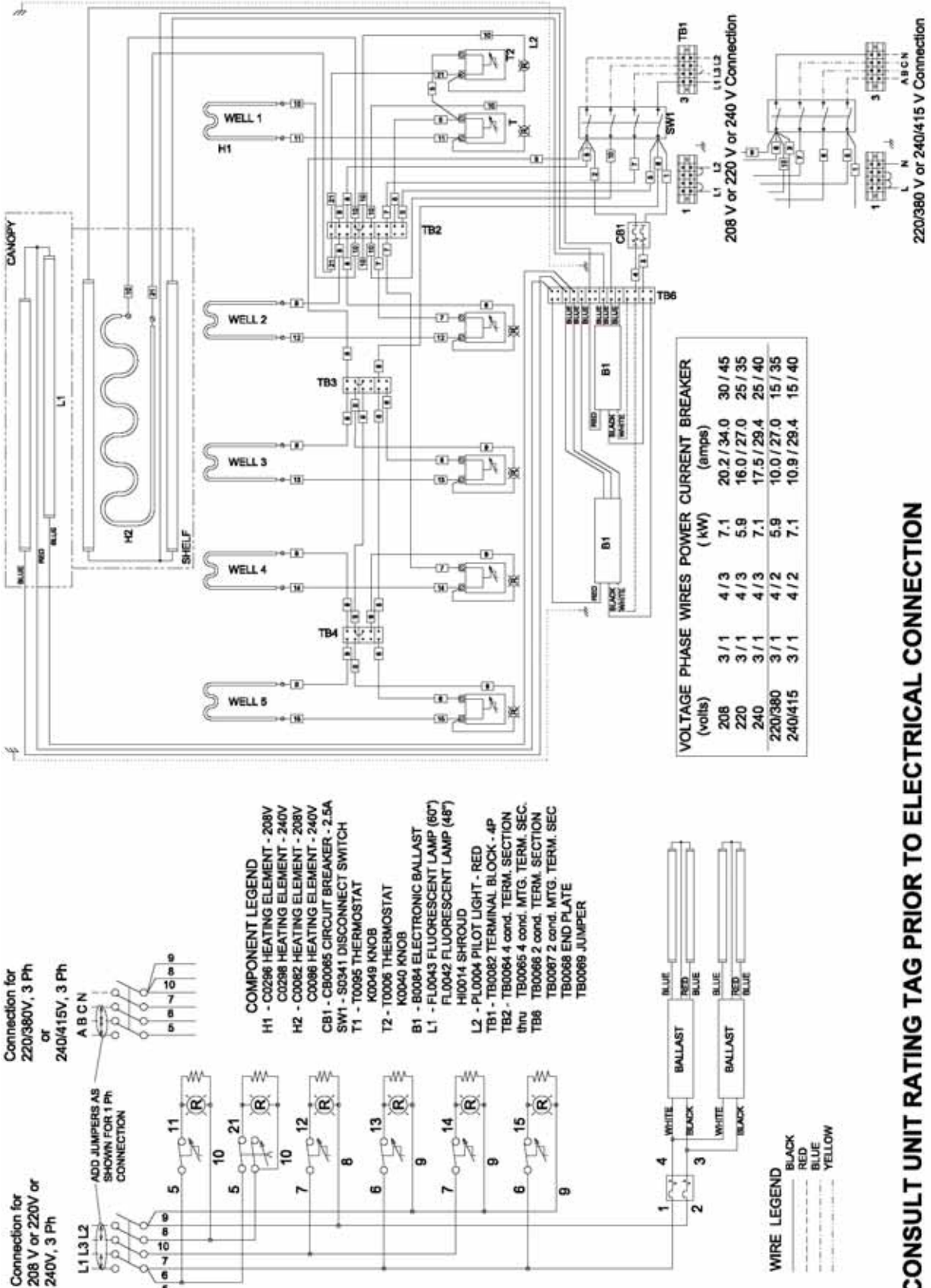


Figure 11. Model TSW-6/TCW-6



CONSULT UNIT RATING TAG PRIOR TO ELECTRICAL CONNECTION

Figure 12. Model TSW-8/TCW-8 (Sheet 1 of 2)

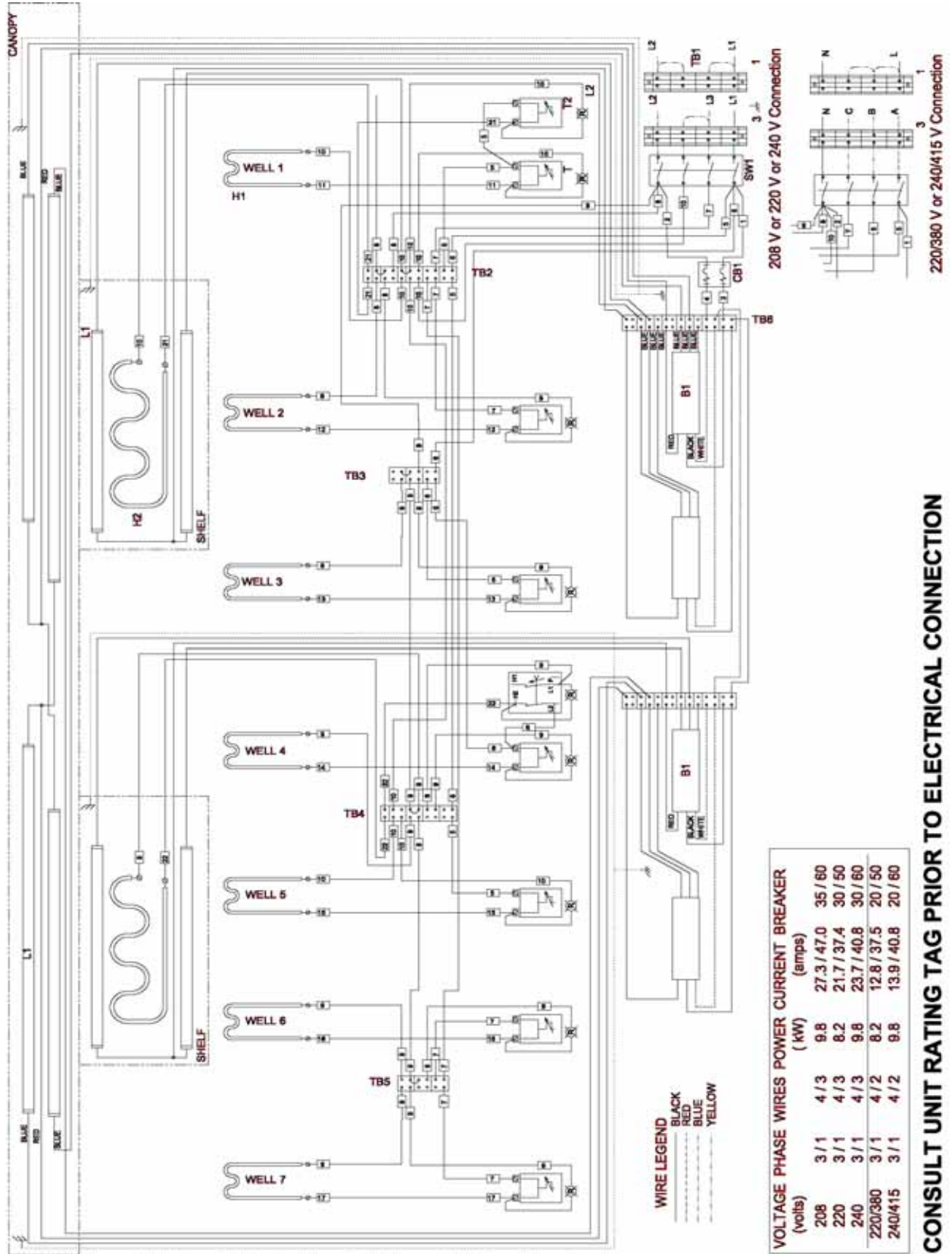


Figure 12. Model TSW-8/TCW-8 (Sheet 2 of 2)

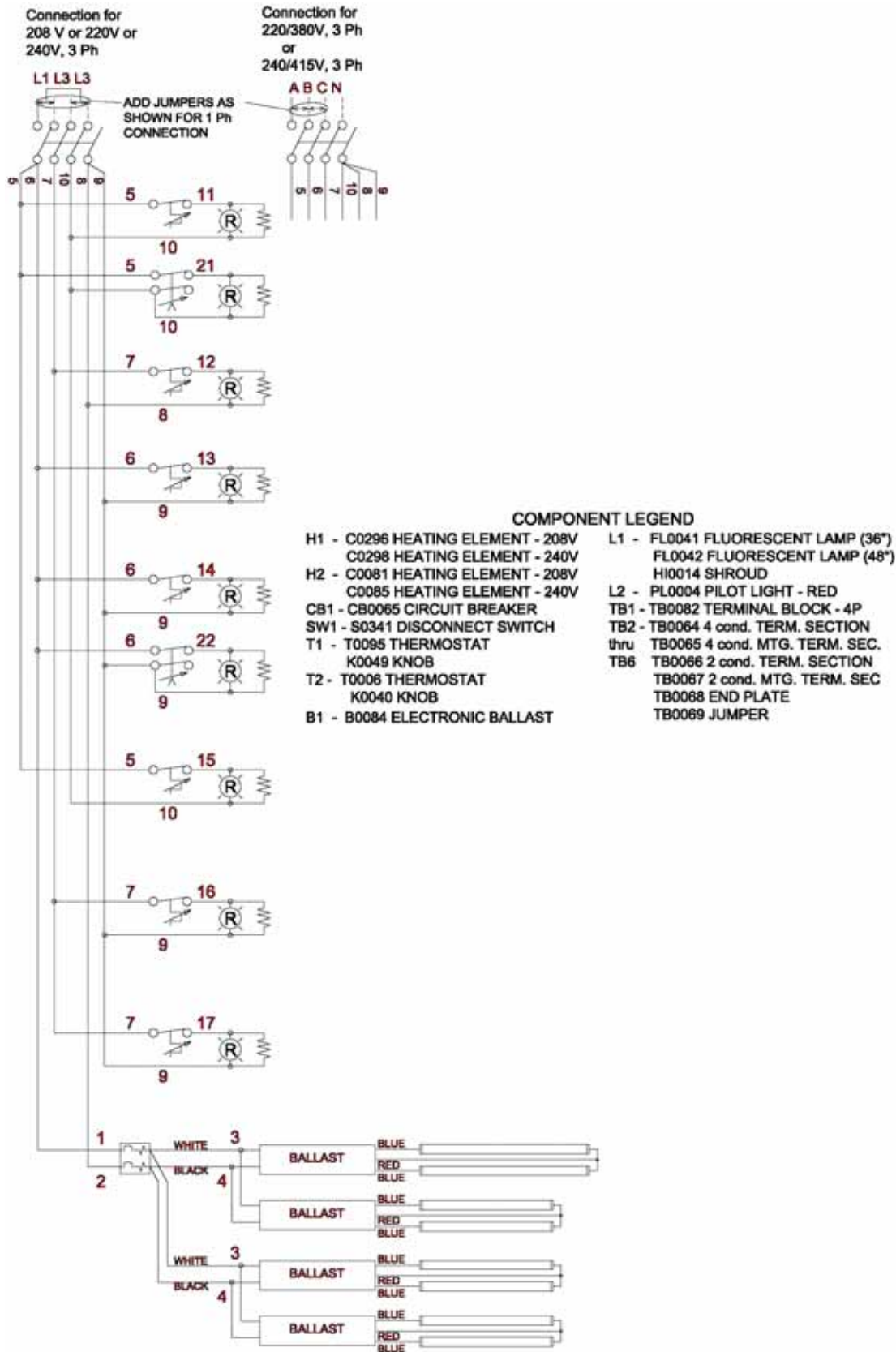
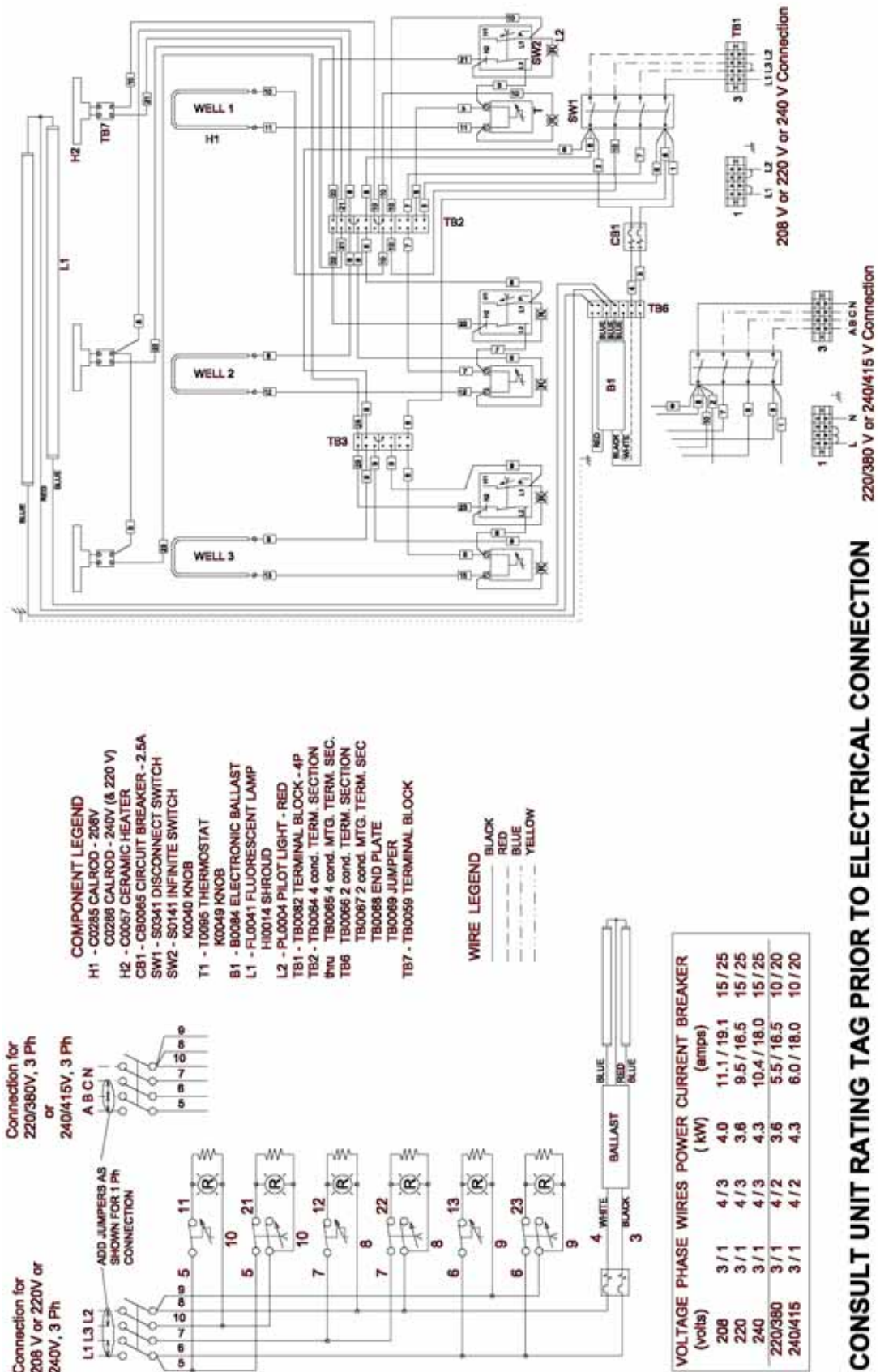


Figure 13. Model WDC-3



CONSULT UNIT RATING TAG PRIOR TO ELECTRICAL CONNECTION

Figure 14. Model WDC-4/2L

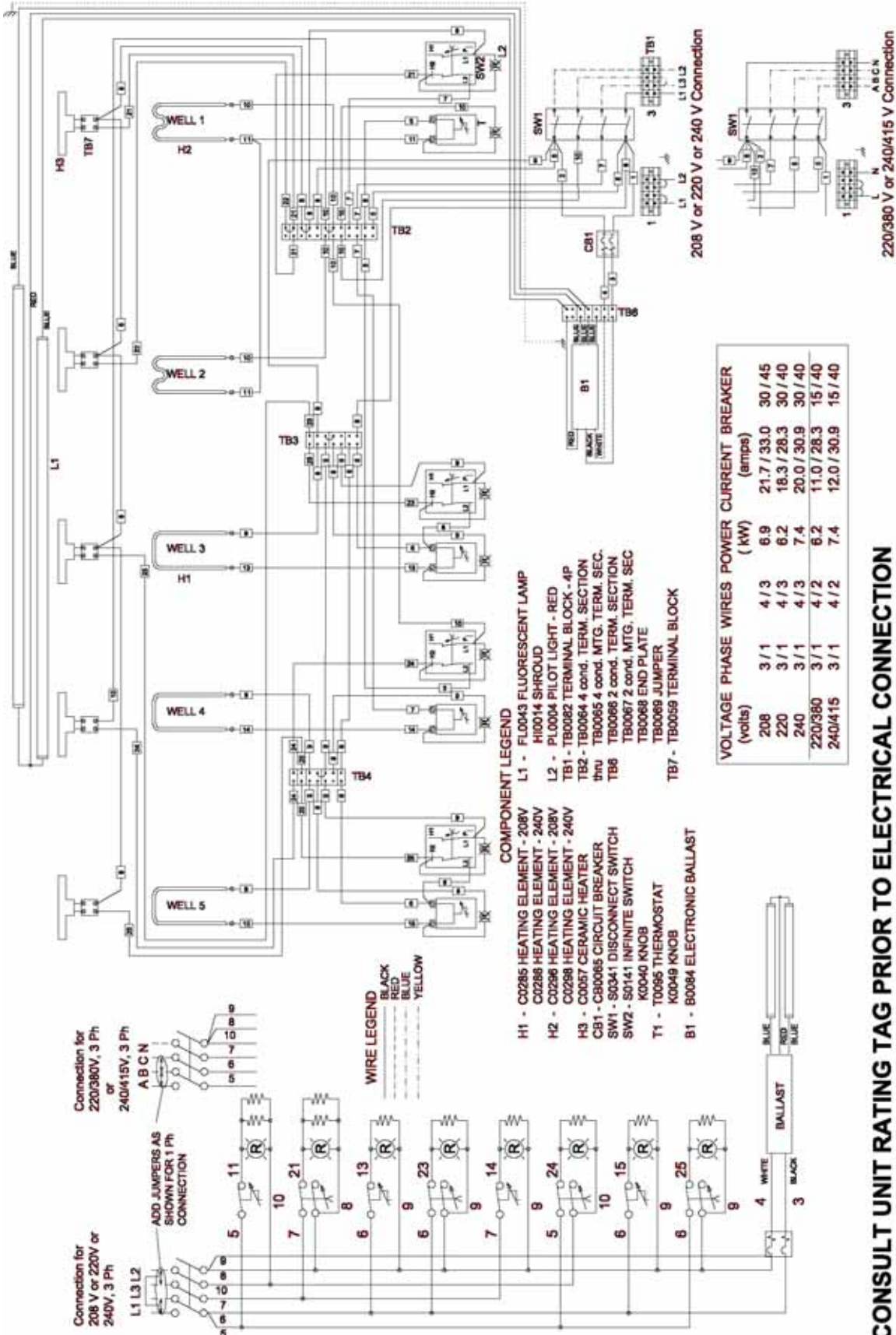


Figure 15. Model WDC-4/2R

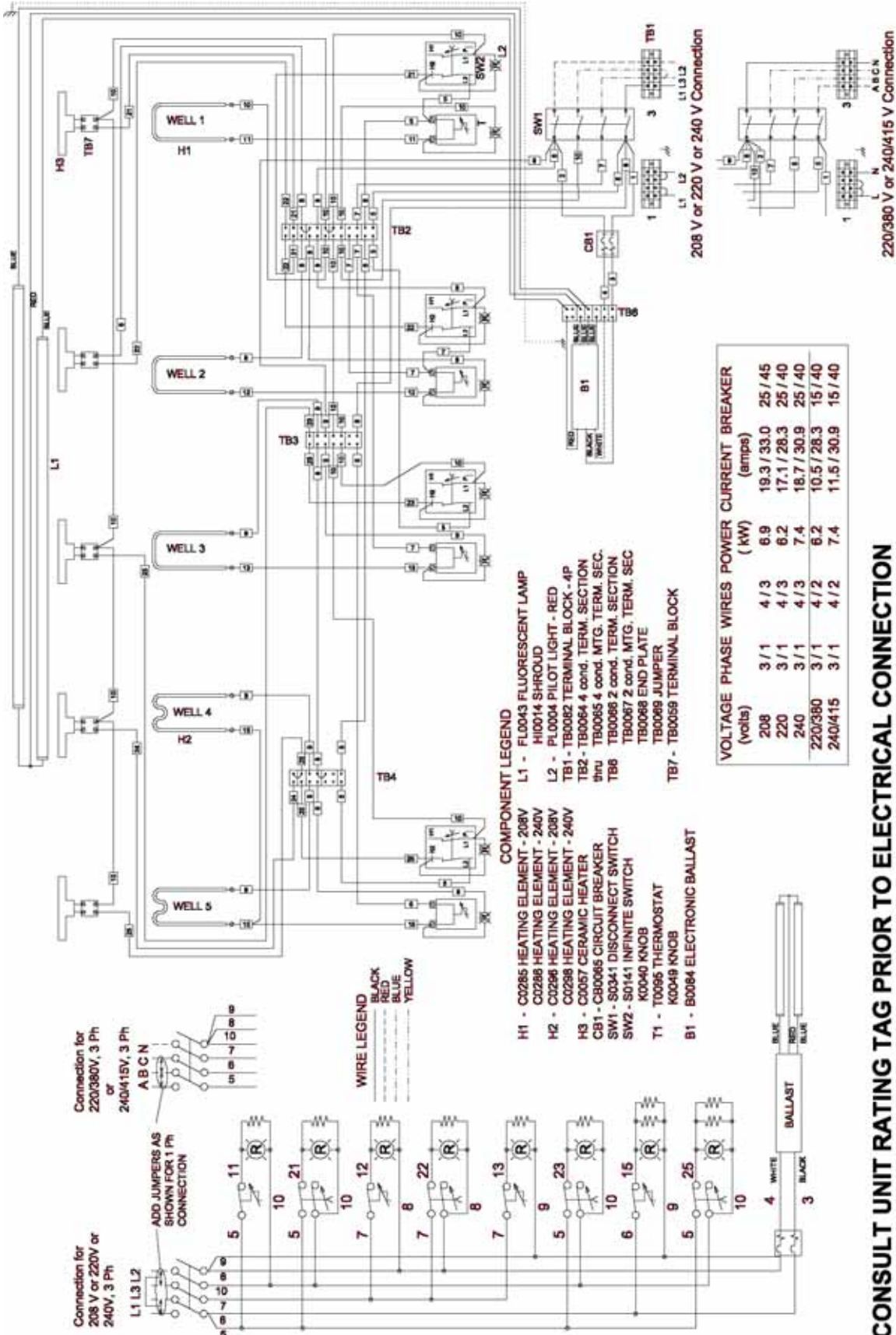


Figure 16. Model WDC-4/4L (Sheet 1 of 2)

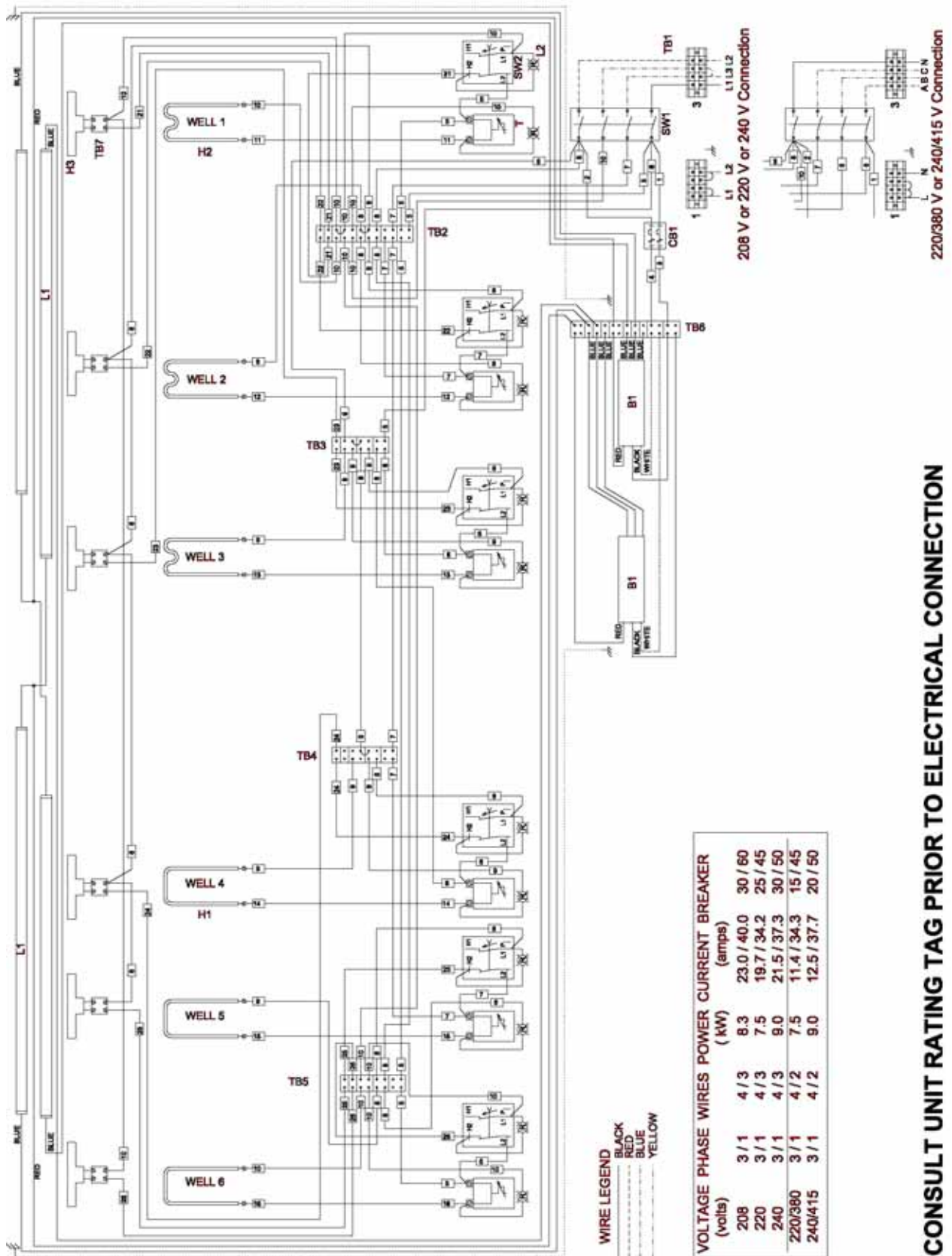


Figure 16. Model WDC-4/4L (Sheet 2 of 2)

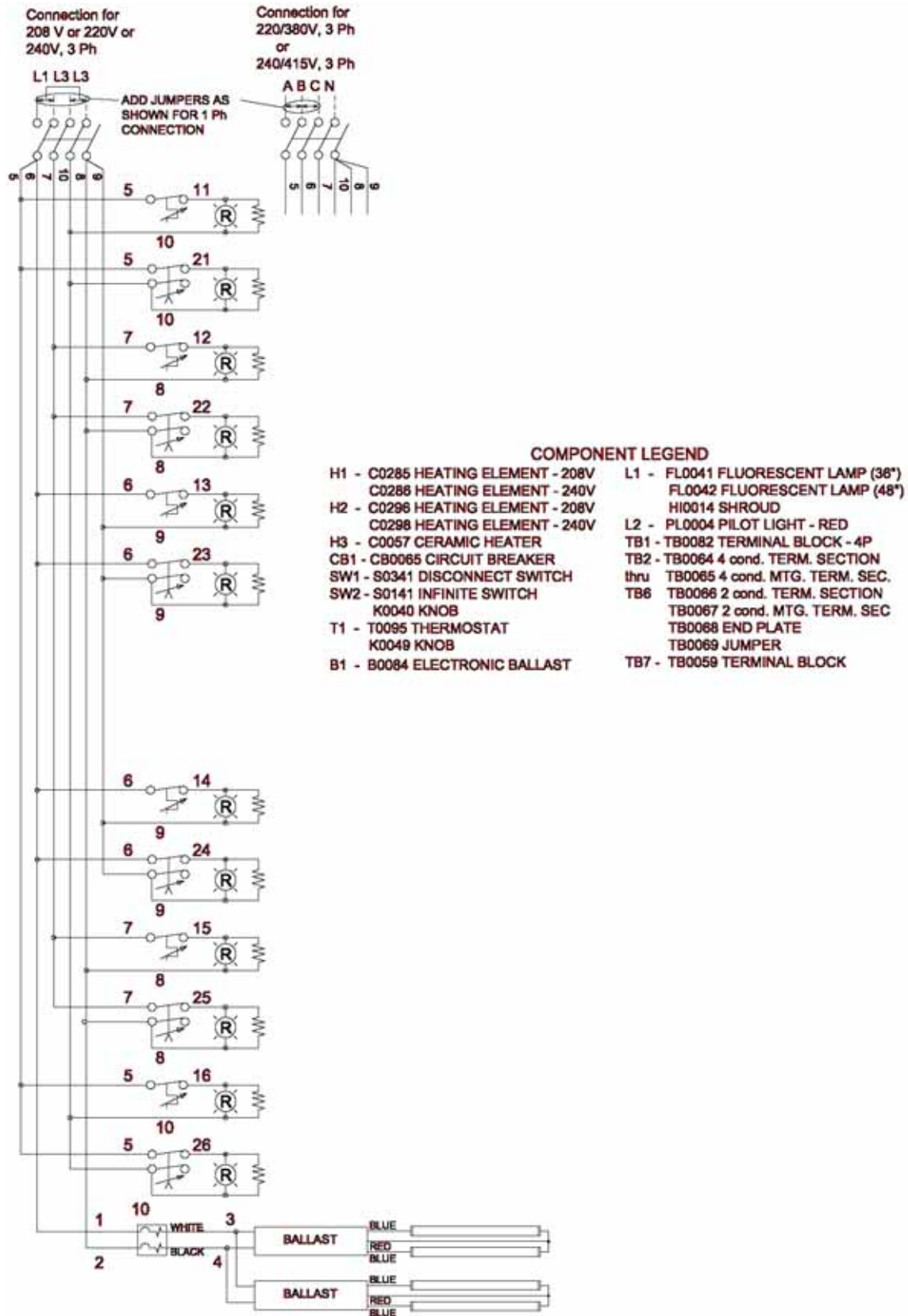


Figure 17. Model WDC-4/4R (Sheet 1 of 2)

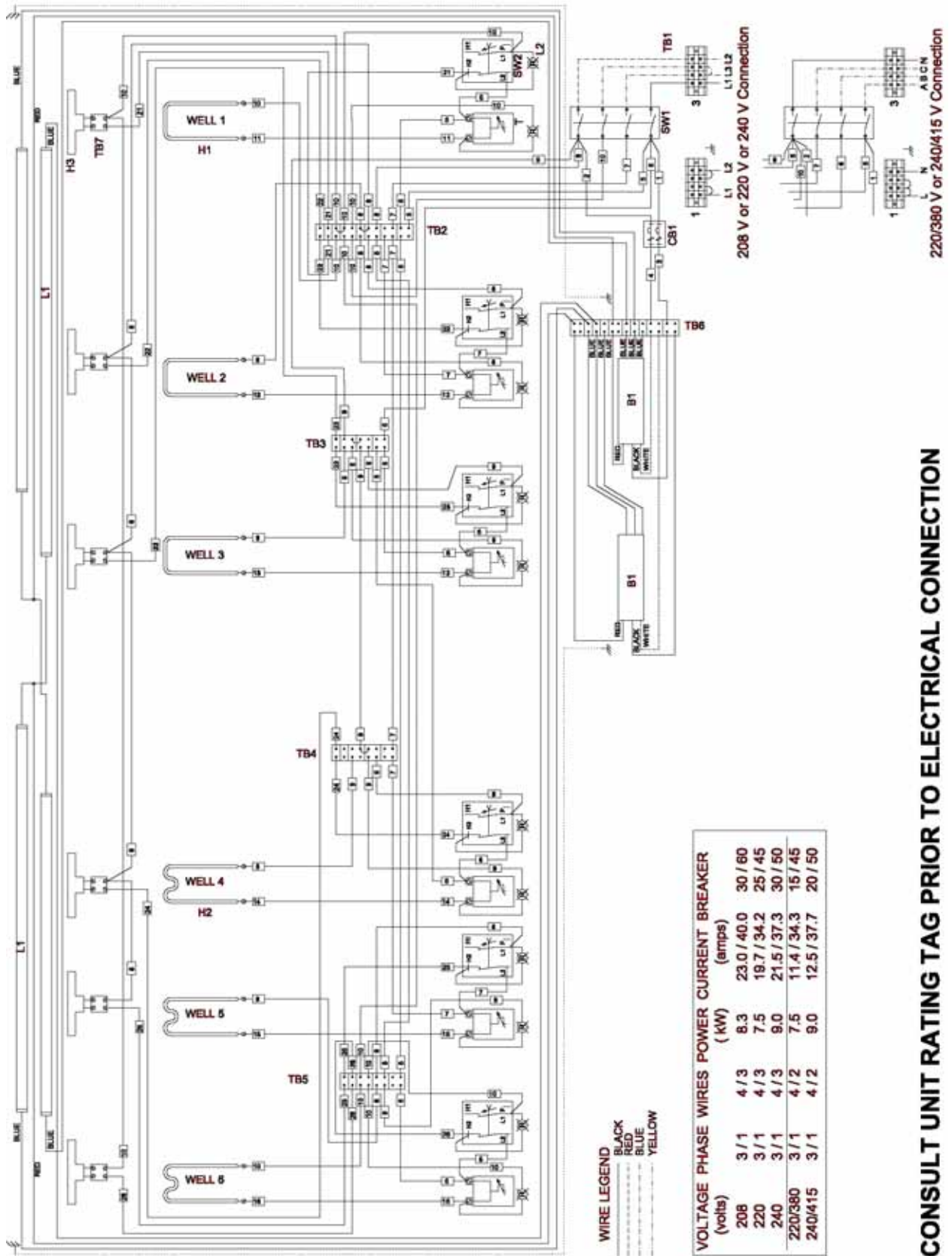
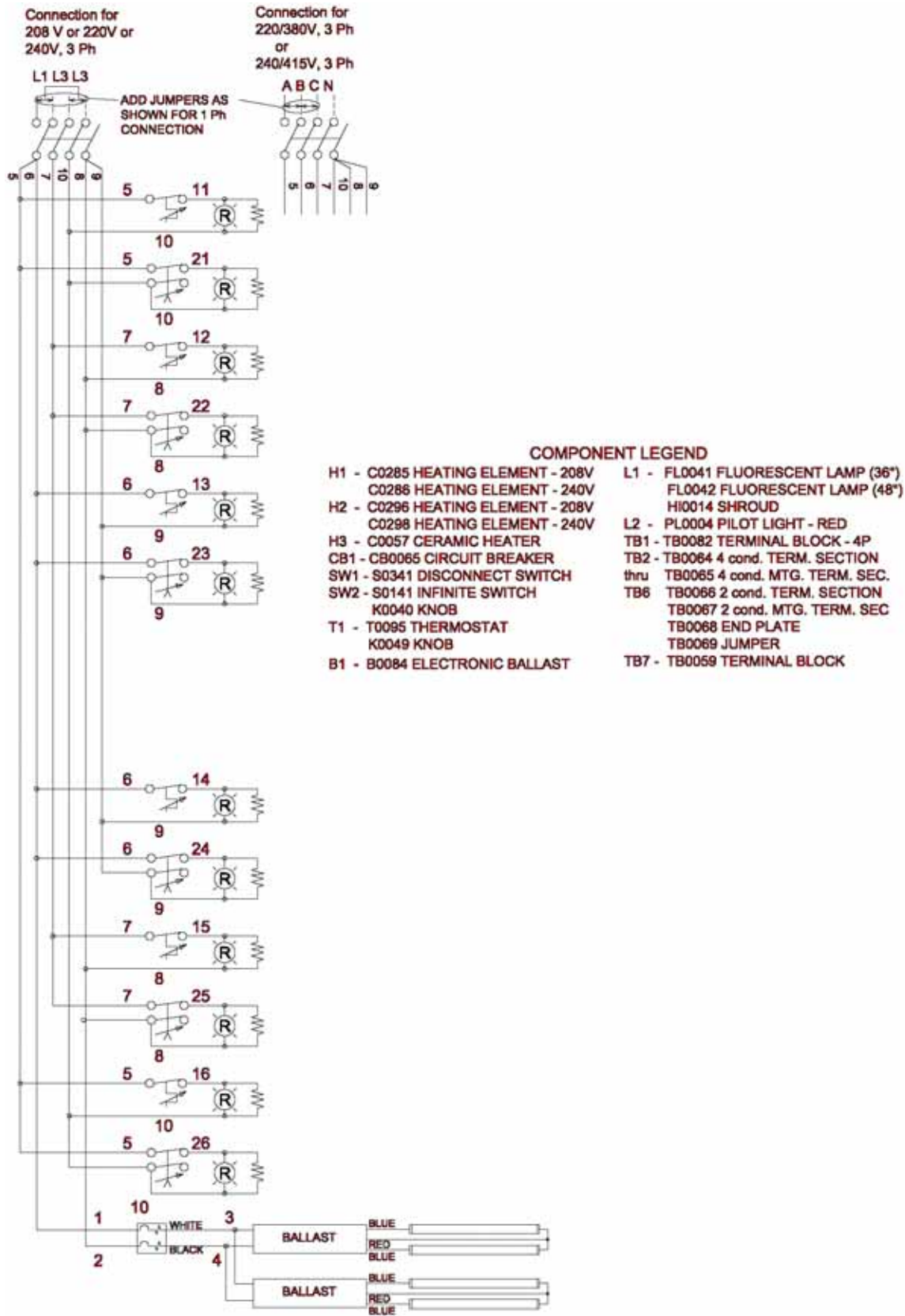


Figure 17. Model WDC-4/4R (Sheet 2 of 2)



CONSULT UNIT RATING TAG PRIOR TO ELECTRICAL CONNECTION

Figure 18. Model WDC-5

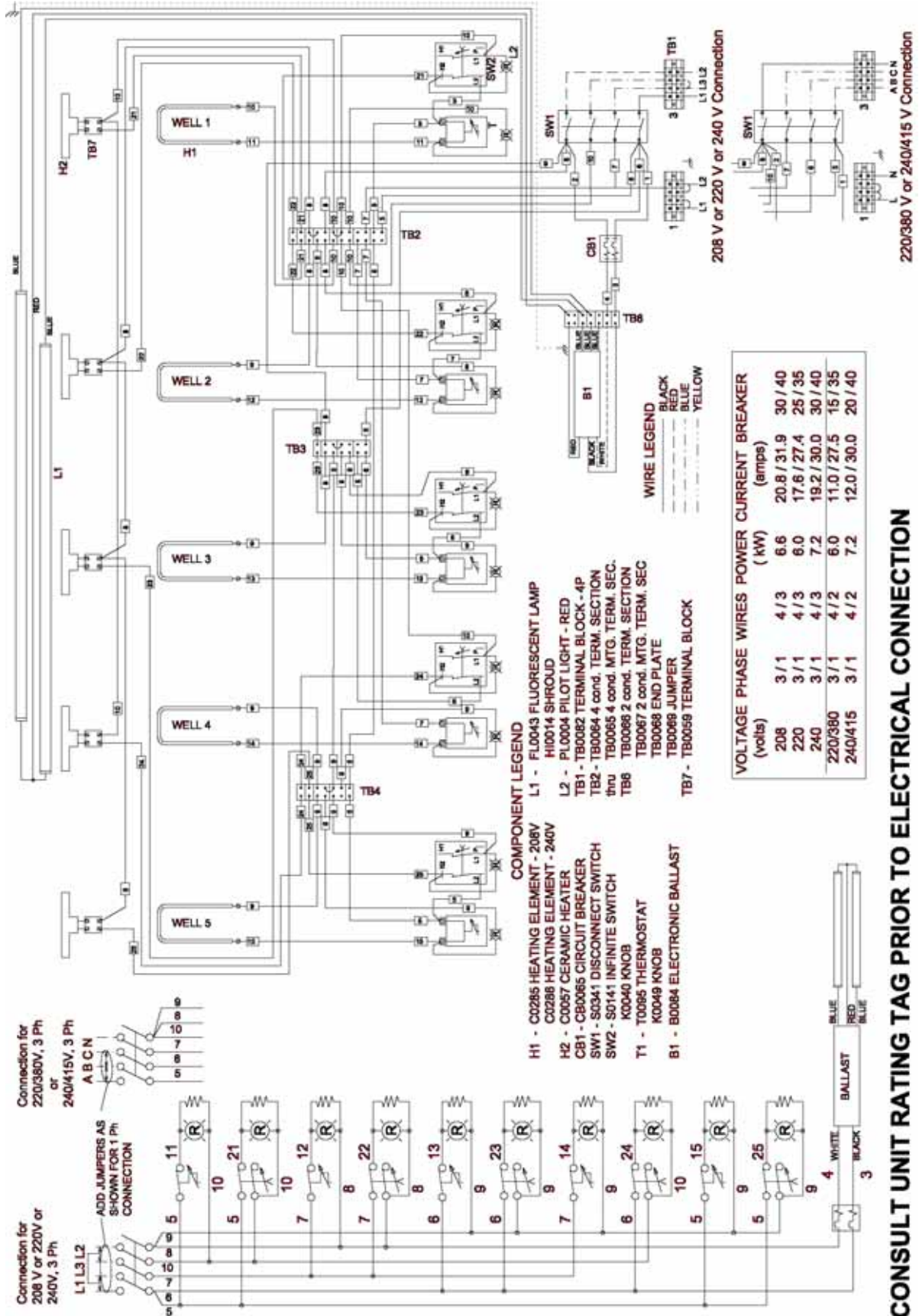


Figure 19. Model WDC-6/2L (Sheet 1 of 2)

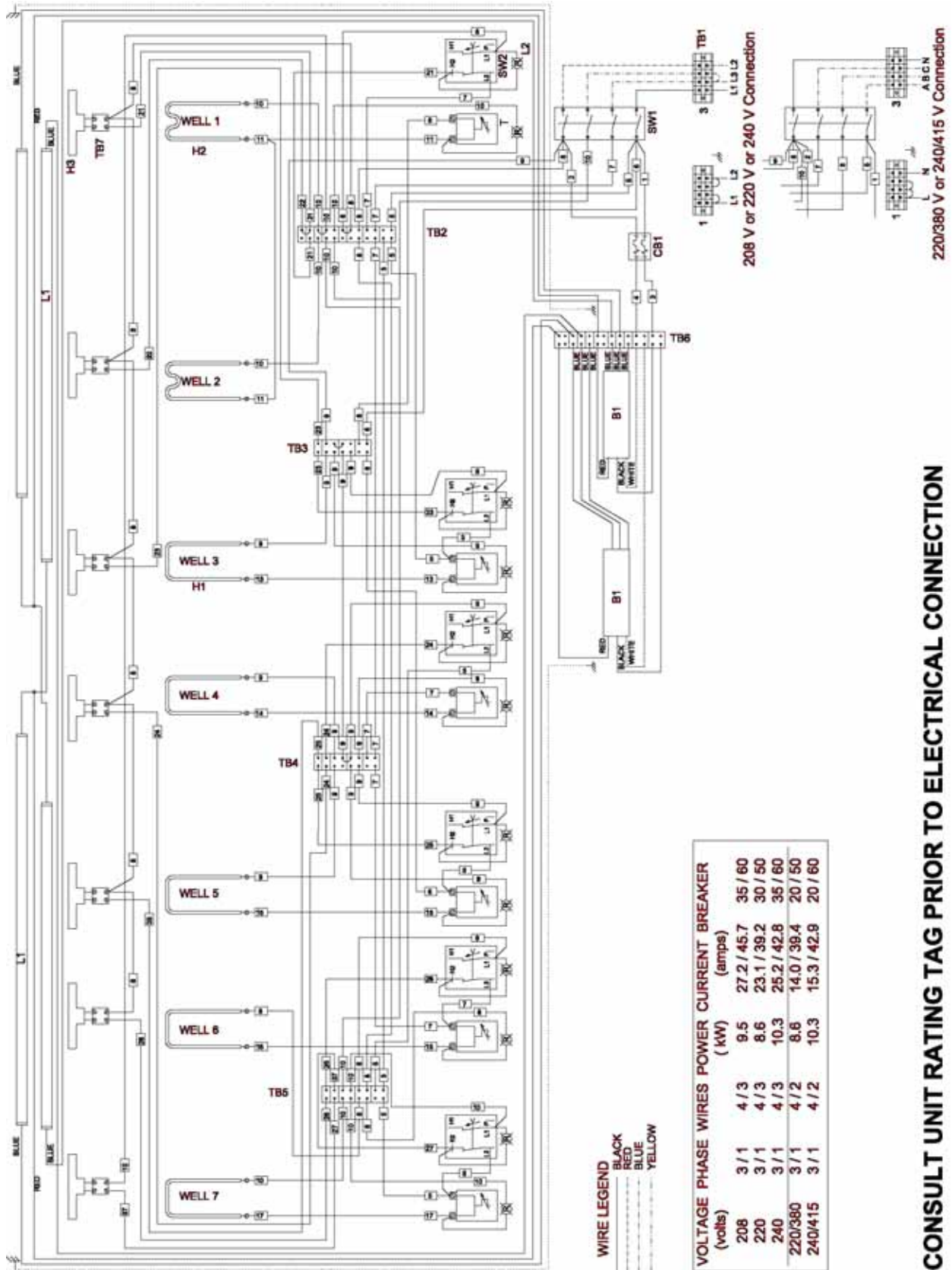
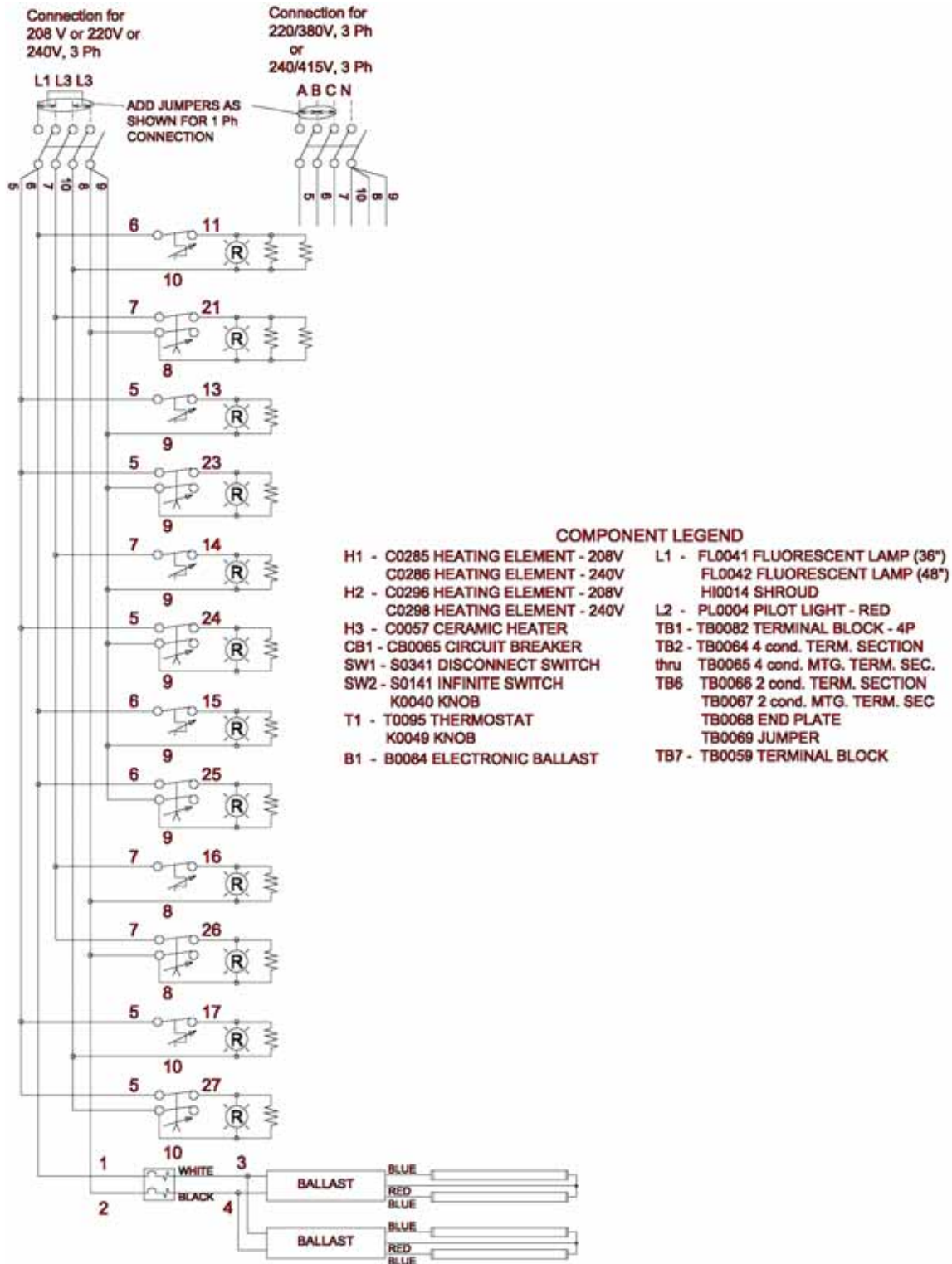


Figure 19. Model WDC-6/2L (Sheet 2 of 2)



CONSULT UNIT RATING TAG PRIOR TO ELECTRICAL CONNECTION

Figure 20. Model WDC-6/2R (Sheet 1 of 2)

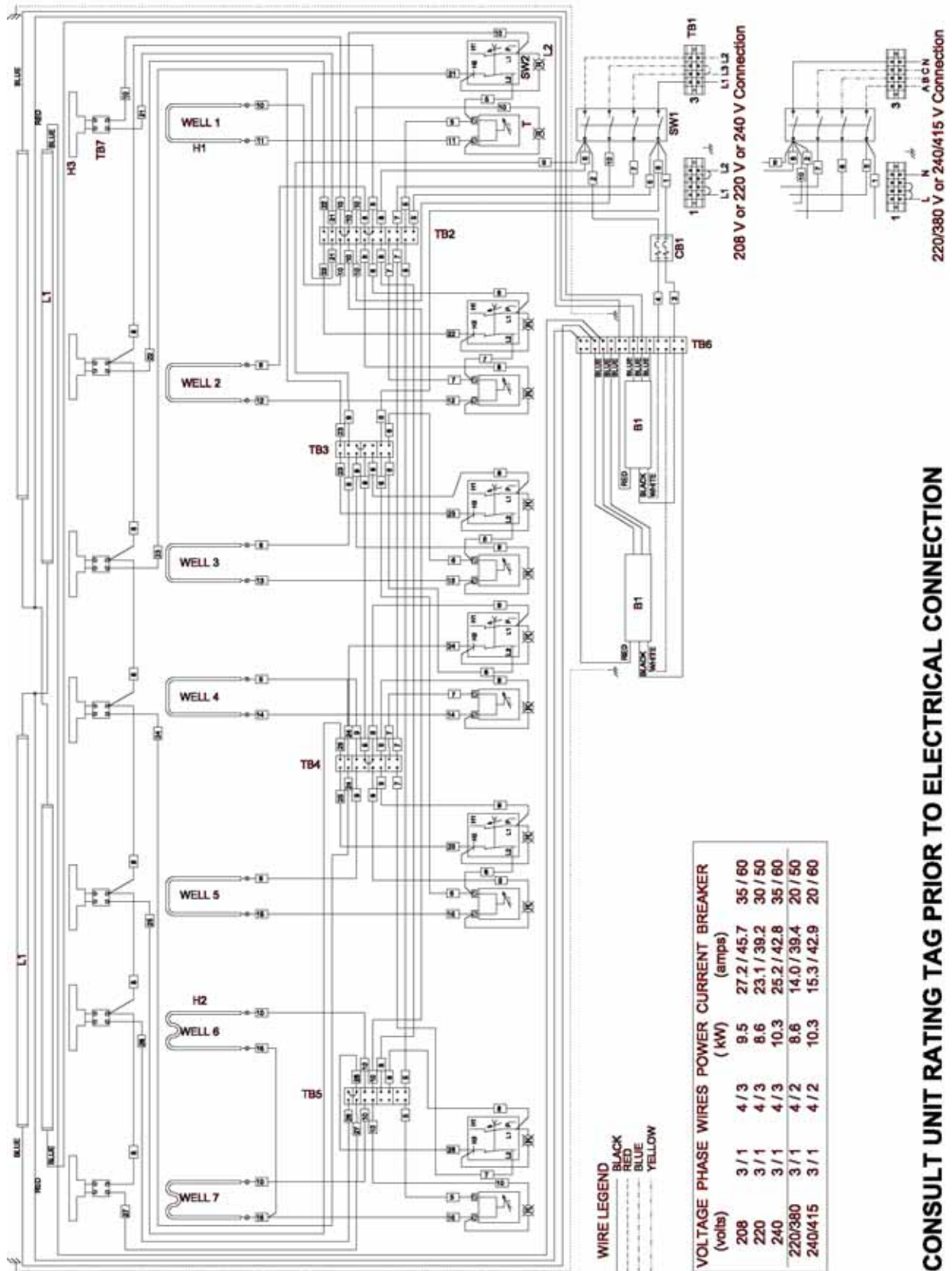


Figure 20. Model WDC-6/2R (Sheet 2 of 2)

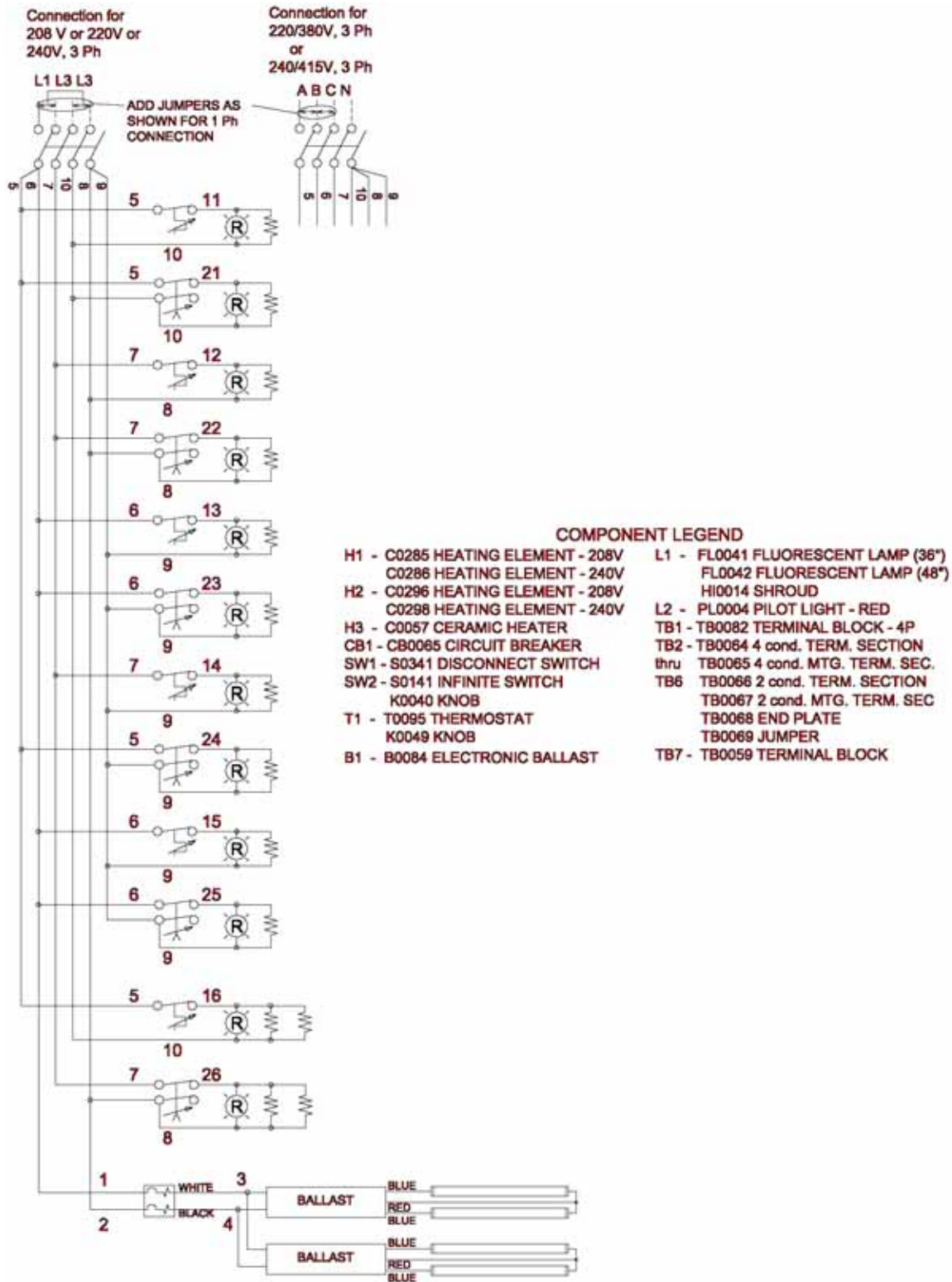


Figure 21. Model WDC-7 (Sheet 1 of 2)

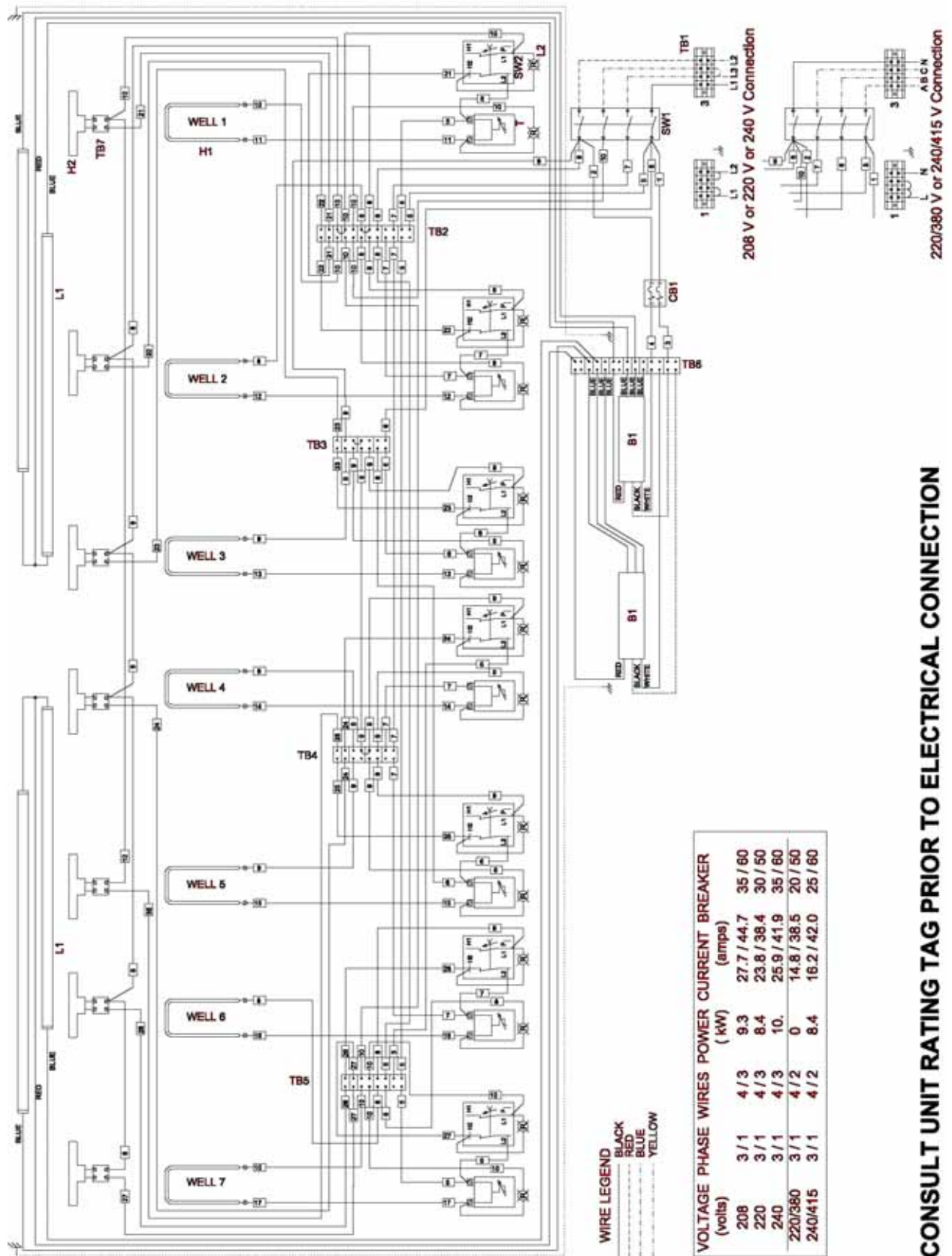
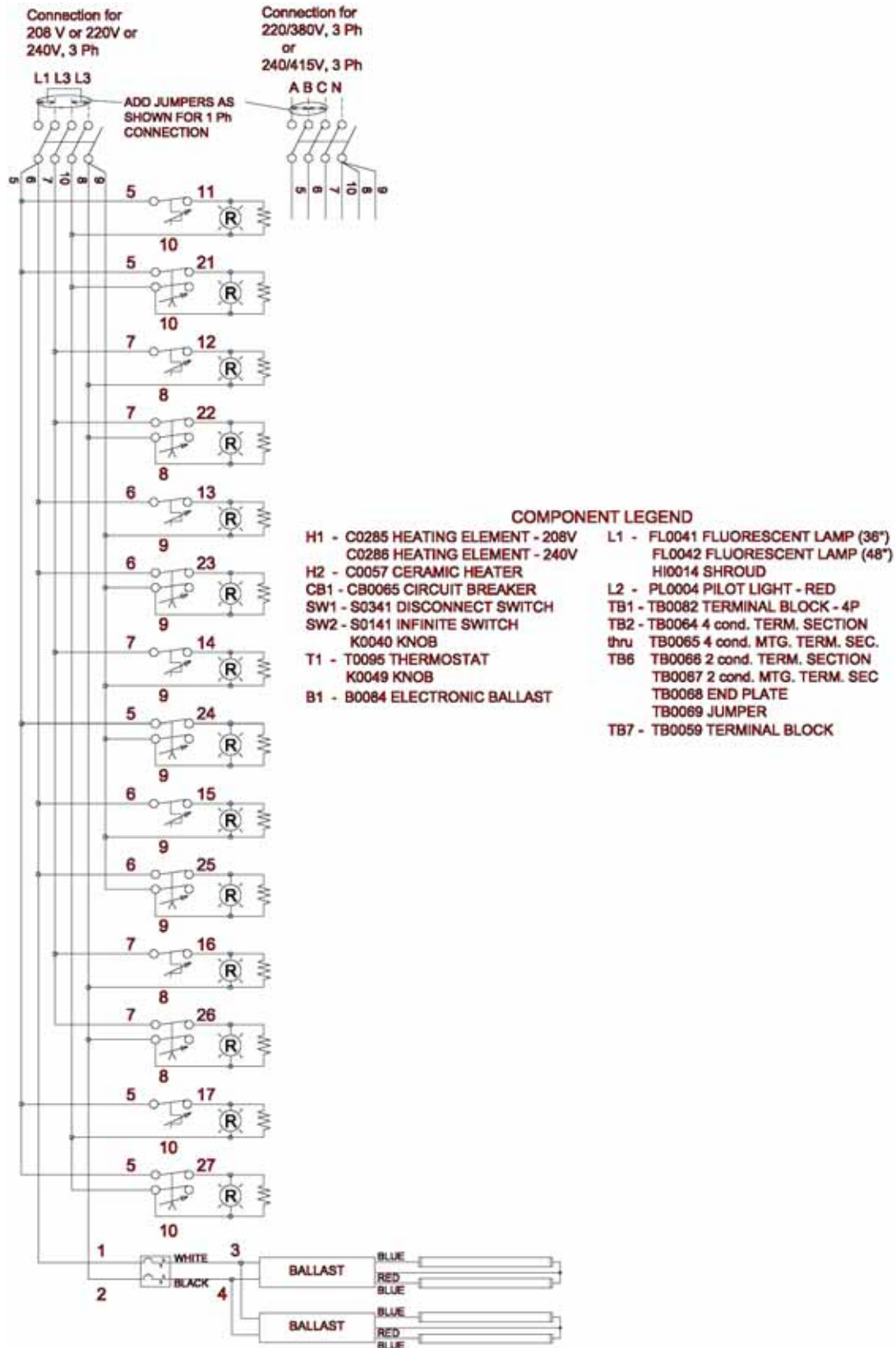


Figure 21. Model WDC-7 (Sheet 2 of 2)



CONSULT UNIT RATING TAG PRIOR TO ELECTRICAL CONNECTION



P.O. Box 80400, Simpsonville, S.C. 29680-0400, USA
<http://www.bkideas.com>

Made and printed in the U.S.A
LI0193/0804