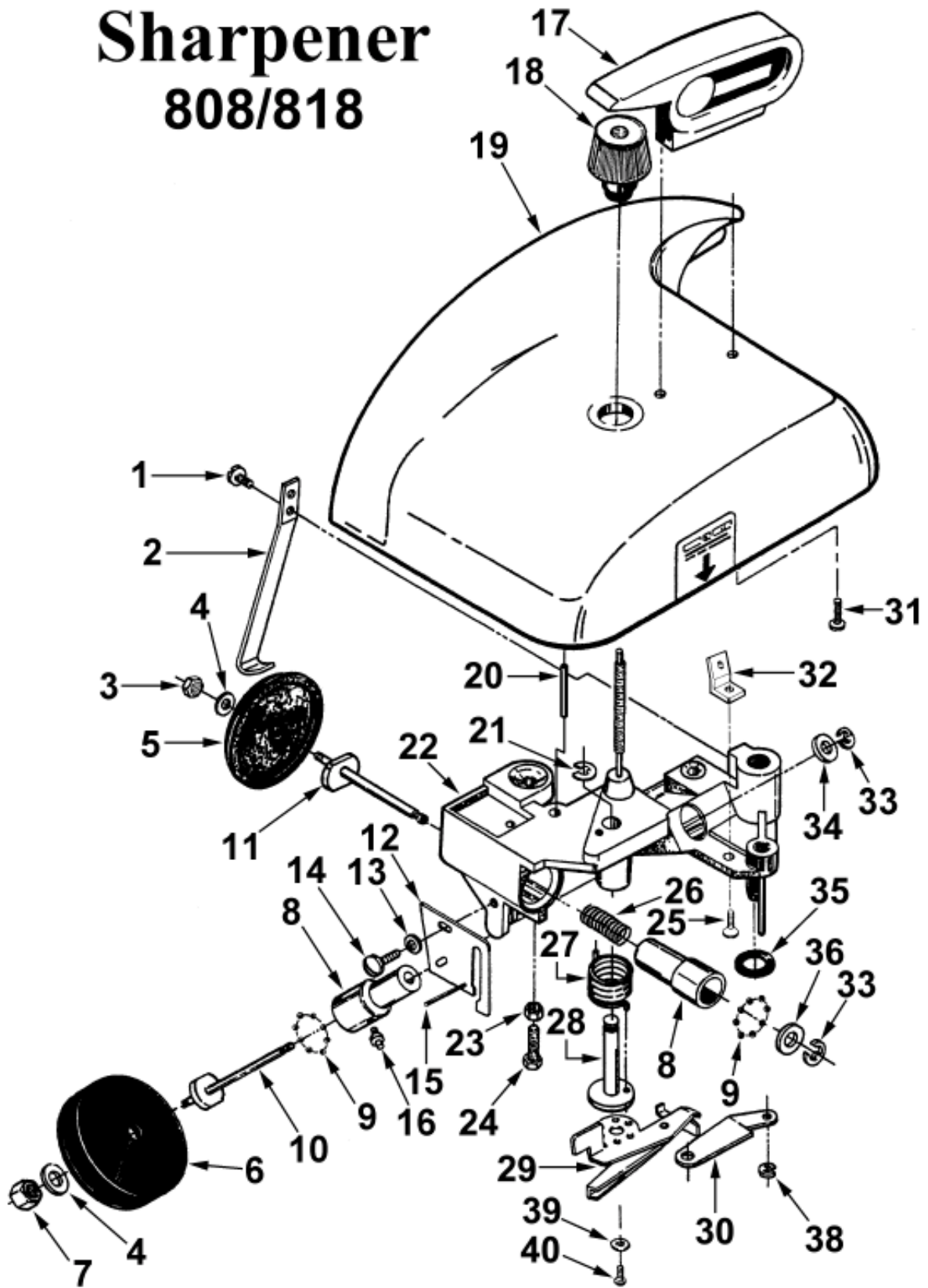


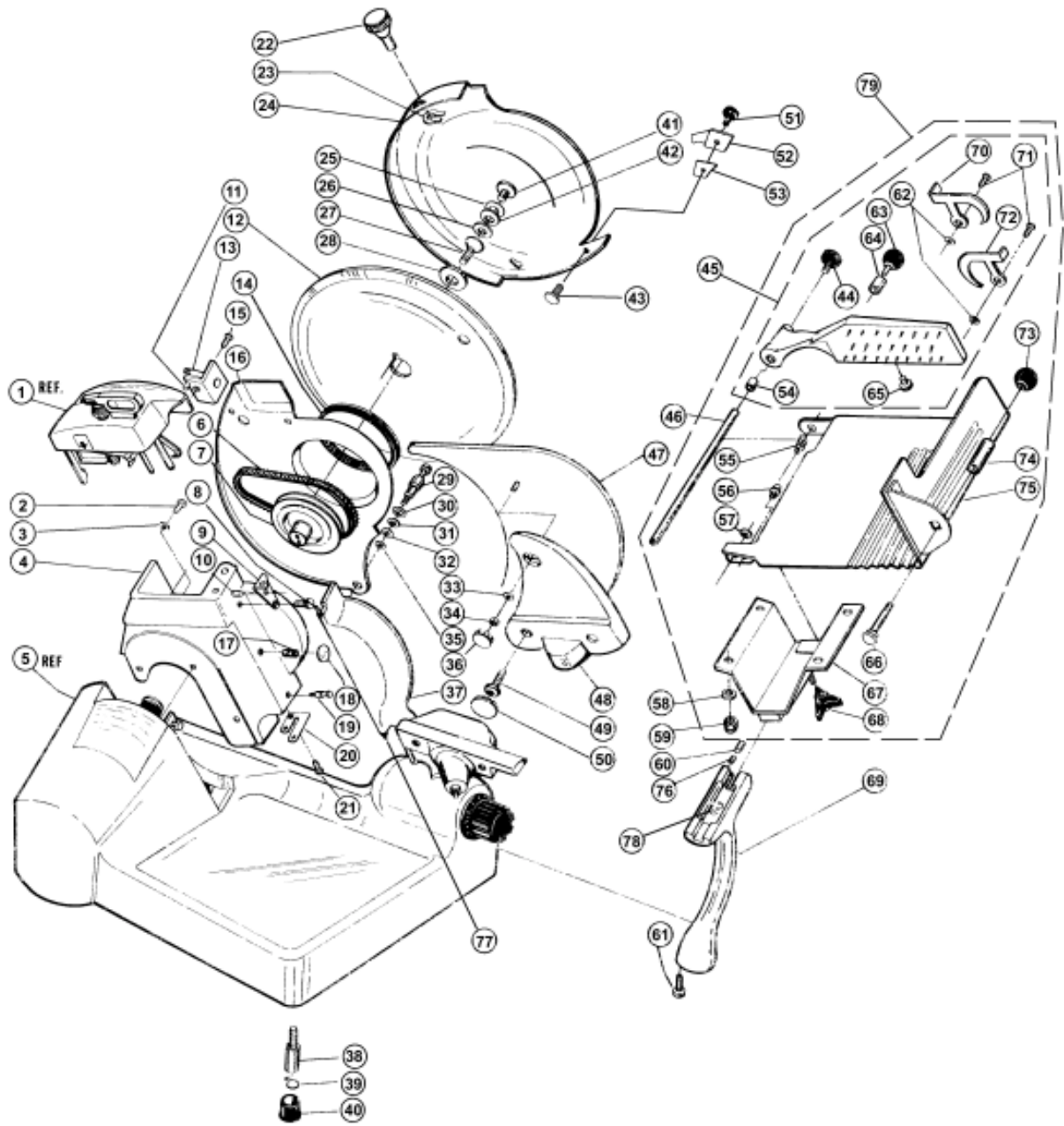
Sharpener 808/818



Sharpener Assembly

No.	Description	Part Number
1	screw	2175-00382
2	stop clip	3475-00792
3	nut	2175-00387
4	washer	2275-03050
5	inside stone (deburring)	3675-00075
6	outside stone (sharpening)	3675-00076
7	nut (LH)	2175-00388
8	spindle bearing	3375-01123
9	ball	2375-00150
10	outside spindle (sharpening)	3375-01119
11	inside spindle (deburring)	3375-01118
12	adjusting plate	3475-00789
13	washer	2275-03040
14	screw	2175-00384
15	groove pin	2275-01122
16	link screw	3375-01121
17	handle w/ decal	4575-00832
18	knob (lockdown nut)	3375-01101
19	cover only	3701-03338
20	groove pin	2275-00220
21	retaining ring	2275-00445
22	sharpener frame	3675-00236
23	nut	2175-00386
24	bolt	2175-00385
25	screw	2101-04035
26	spring	3275-00210
27	spring	3275-00212
28	spindle	3375-01120
29	lever assy. w/ spring	4375-00200
30	link	3475-00791
31	screw (need 2)	2175-00397
32	bracket	3401-03805
33	retaining ring	2275-00444
34	washer	2275-00451
35	washer (rubber)	3275-00042
36	washer	2275-00451
38	retaining ring	2275-00443
39	washer	2275-00441
40	screw	2175-00382
N/S	spring (for lever assy.)	3275-00211
N/S	sharpener maint. kit	4975-00375

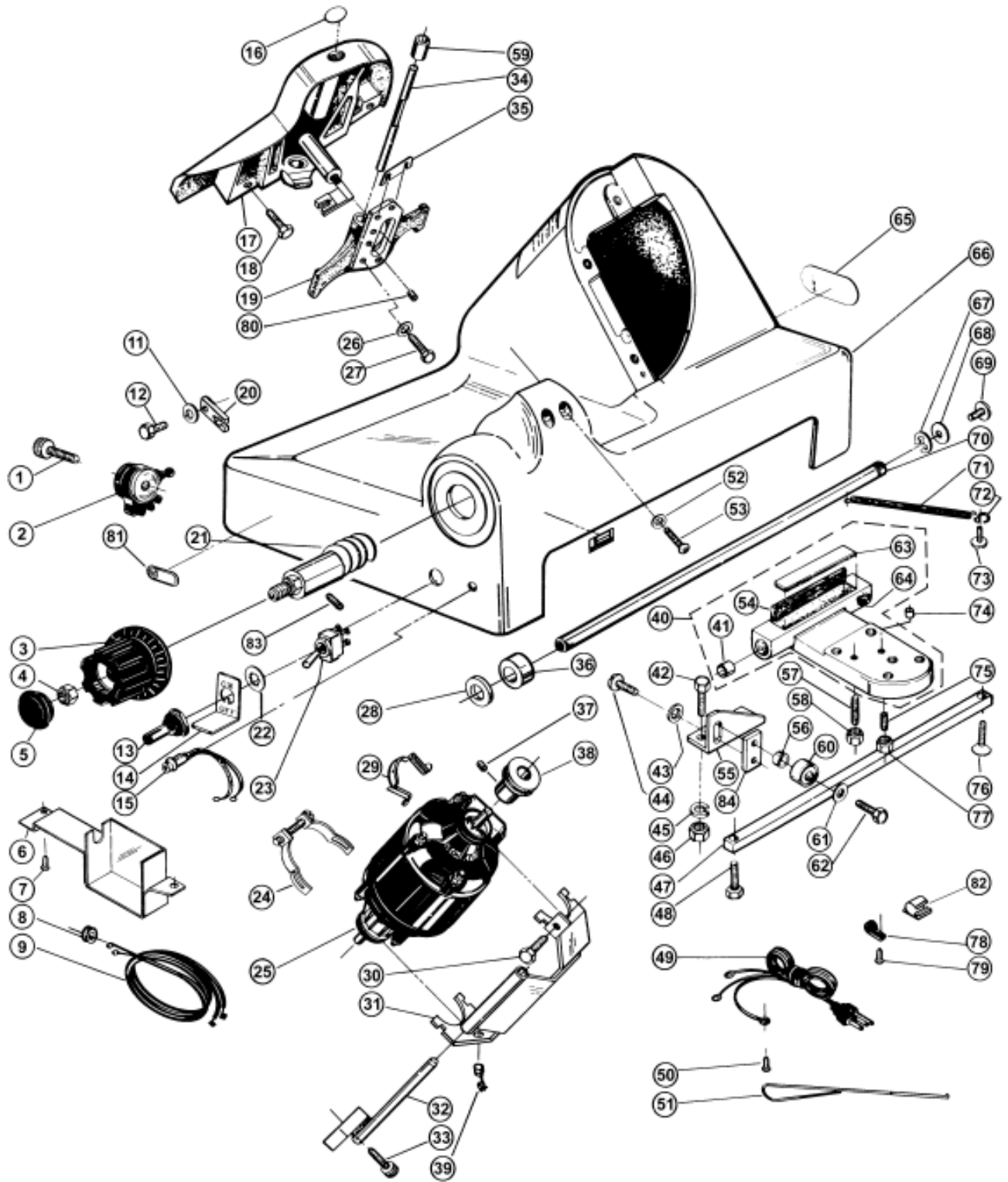
808 TOP VIEW



Top View

Item	Description	Part Number	Item	Description	Part Number
1	sharpener assy (comp)	4675-00164	39	foot post hook	3275-00059
2	screw 5/16 X 7/8	2175-03063	40	shoe	3675-00061
3	washer 5/16	2275-03065	41	spacer plug	3875-00024
4	knife box	3775-00145	42	shim .008	3275-00031
5	housing	3775-00131	43	bolt	2175-00239
6	belt	2375-00015	44	knob	2275-00056
7	pullely & brg assy	4375-00114		screw	2175-03452
8	ft head screw #10 X 3/8	2175-03641	45	pusher assy. (complete)	4675-00662
9	upper hinge	3475-00156	46	shaft	3375-00242
10	pin	2275-01122	47	gauge plate	4575-00100
11	pin	2275-03140	48	gauge plate support	3775-00147
12	knife, stainless steel	3675-00070	49	screw 5/16 X 1"	2175-03764
	knife, carbon steel	3675-00074	50	hole cover (small)	3675-00072
13	mounting angle	4575-00289	51	knob	2275-00221
14	cover ring	3875-00025	52	juice deflector	4575-00281
15	screw 1/4 X 5/8	2175-03452	53	knife scraper	3875-00057
16	cover	4575-00795	54	bushing	2275-00045
17	set screw	2175-07152	55	compression spring	3275-00029
18	plate	3475-00176	56	lock pin	3875-00022
19	pin	3375-00291	57	washer (rubber)	3275-00042
20	lower hinge	3475-00363	58	washer 1/4	2275-03050
21	screw #10 X 3/8	2175-03441	59	cap nut 1/4	2175-07052
22	knob	3375-00310	60	plug	3375-00309
23	snap ring	2275-00064	61	sckt screw 5/16 X 1-1/4	2175-01765
24	center plate	3475-00374	62	spring wahser	3275-00043
	knife guard kit	4975-00332	63	knob	2275-00043
25	shim .003	3275-00030	64	spacer	3375-00244
26	shim .024	3275-00040	65	wearing pad	3875-00123
27	fl hd screw 7/16 X 3/4	2175-00088	66	bolt 3/8 X 1/2	2175-03277
28	washer	3375-00107	67	bracket	4675-01020
29	stud	3375-00293	68	knob	2275-00063
	stud for guard kit	3375-01061	69	support arm	4975-00371
30	washer .062	3275-00041	70	hook (r.h.)	3475-00163
31	washer .003	3275-00054	71	screw	3375-00333
32	washer .025	3275-00056	72	hook (l.h.)	3475-00164
33	washer 1/4	2275-03050	73	knob	2275-00042
34	nut 1/4	2175-05051	74	spacer 3/8 X 2	3375-00243
35	washer .0075	NLA	75	product table	4575-00847
36	hole cover (large)	3675-00071	76	set screw 10/32 X 3/8	2175-05143
37	slice deflector	3875-00138	77	pin	3375-00311
38	shoe post 808	4575-00208	78	plug	3475-00080
	shoe post 818	4575-00117	79	product table assy.	4675-00915
N/S	4" 808 shoe post	4575-00307	N/S	4" 808 shoe post set of 4	4975-00024
N/S	4" 818 shoe post	4575-00178	N/S	4" 818 shoe post set of 4	4975-00025

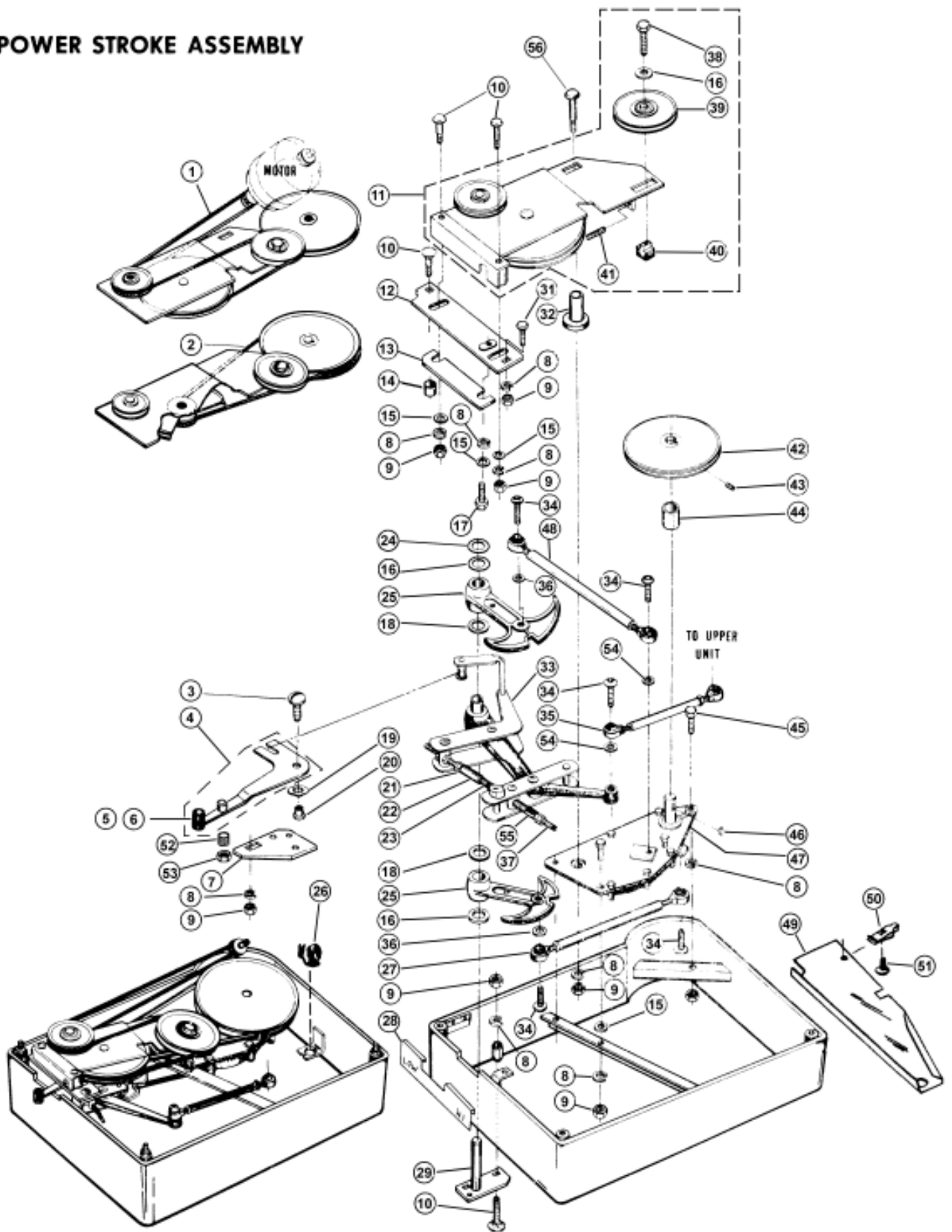
808 BOTTOM VIEW



Bottom View

No.	Description	Part Number	No.	Description	Part Number
1	screw 3/8 x 1 1/4	2175-01775	41	plastic bushing 7/8	2275-00053
2	worm wheel assembly	4975-09280	42	screw 5/16x7/8	2175-03063
3	knob index kit (3 & 5) index knob	4975-09506 3875-00151	43	washer 5/16	2275-01061
4	nut 1/2	2175-00121	44	screw 5/16x1/2	2175-01862
5	plug 1 1/4	2275-00414	45	lock washer 5/16	2275-03065
6	cover switch	3875-00137	46	nut 5/16	2175-05060
7	self tapping screw #8x3/8	2175-00105	47	rail, square	3375-00305
8	grommet, cord	2675-00032	48	cap screw 5/16x1 1/4	2175-01065
9	cord, switch to motor	4175-00032	49	power cord	4175-00031
10	set screw #10-3/16	2175-00095	50	self tapping screw	2175-00105
11	washer 5/16	2275-01061	51	cleaning rod	3375-01015
12	screw 5/16x1/2	2175-01060	52	washer 5/16	2275-03050
13	seal switch	2275-00060	53	screw 1/4x1 1/4	2175-03858
14	switch guard rivets	2675-00647 2275-00425	54	oil wick	3275-00035
15	pilot light	2675-00053	55	bracket	3375-00304
16	slide rod plate	3475-00162	56	spacer	3375-00131
17	guage plate support	4675-00821	57	set screw (FP#10)	2175-00106
18	screw 1/4x1	2175-00097	58	nut (LK#10)	2175-00107
19	base guage plate	3775-00146	59	bushing	2275-00058
20	plate	3375-00298	60	bearing (assembled)	4375-00031
21	worm assembly	4675-00336	61	washer	2275-00091
22	lock washer (intern. Tooth 1/2)	2275-01087	62	screw	3375-00249
23	toggle switch, 1/2 H.P. 115V	2675-00617	63	carriage cover	3475-00169
24	motor clamp	2275-00087	64	oil cup	2475-00003
25	motor kit	4975-00389	65	logo/name plate	3175-00152
26	washer, flat	2275-03050	66	housing	3775-00131
27	screw, 1/4x1 1/4	2175-01054	67	snap ring	2275-00092
28	washer, rubber	3275-00045	68	washer	3275-00047
29	motor clamp	3275-00039	69	screw #10x1/2	2175-03442
30	screw, 5/16x1	2175-03064	70	rail 7/8	3375-00091
31	motor mount	4575-00744	71	extension spring	3275-00061
32	motor pivot assy.	4575-00097	72	carriage hook	3275-00060
33	socket screw 5/16x1/2	2175-01760	73	screw 5/16x1/2	2175-01060
34	slide rod	3375-00296	74	plug	3375-00336
35	shim	3275-00044	75	setscrew	2175-00381
36	rail bumper	3275-00046	76	flat head screw (5/16x1 1/4)	2175-01665
37	set screw	2175-05152	77	nut 5/16	2175-05060
38	pully	2375-00025	78	cord clamp	3675-00224
n/s	motor pulley 1/2 I.D.	3375-01200	79	self tapping screw	2175-00105
39	strain relief bushing	2675-00562	80	setscrew	2175-05155
40	carriage assembly	4675-00473	81	name plate	3175-00152
			82	cord clamp	2275-00149
			83	setscrew 5/16x1/2	2175-05163
			84	roller adjusting block	3375-00306

POWER STROKE ASSEMBLY



Power Stroke

No.	Description	Part Number	No.	Description	Part Number
1	belt - automatic	4975-00335	27	rod & brg assy, short stroke	4375-00069
	round belt	2375-00133	28	hi-low plate	3175-00056
	o/s motor pulley 5/8 I.D.	3375-01062	29	plate & shaft	4575-00075
	n/s motor pulley 1/2 I.D.	3375-01083	30	bolt 5/16x1 1/4	2175-01264
2	belt - power drive	2375-00017	31	bolt 5/16x3/4	2175-03062
3	screw 1/4-28x5/8	2175-00180	32	spacer	3375-00220
4	shift lever assy. Comp.	4575-00314	33	drive arm assy.	4375-00041
5	1/2 knob	3875-00026	34	screw 5/16x7/8	2175-01863
	knob pin	2275-00051	35	rod & brg assy (carriage)	4675-00840
7	bracket	3575-00063	36	washer	2275-00028
8	lock washer 5/16	2275-03065	37	control rod	3375-00227
9	nut 5/16	2175-05060	38	screw 5/16-18x1 1/4	2175-01065
10	bolt 5/16x2	2175-01267	39	idler pulley	4375-00137
11	pulley & brackit assy.	4675-00466	40	tee nut (idler)	3375-00342
12	bracket	3475-00324	41	set screw 5/16x1 1/2	2175-05169
13	detent plate	3475-00782	42	pulley	3775-00236
14	spacer	3375-00223	43	set screw 1/4x1/4	2175-05151
15	washer 5/16	2275-01060	44	spacer, used w/solid pulley	NLA
16	washer, plastic, 1/2 hole	3275-00018	45	screw 5/16x1 1/4	2175-01065
17	screw 5/16x1/2	2175-03061	46	woodruff key	3275-00006
18	washer, plastic, 7/8 hole	3275-00032	47	gear box assy.	4375-00015
19	spring washer 7/16	3275-00025	48	rod & brg assy, long stroke	4375-00070
20	spacer	3375-00229	49	shield	3475-00783
21	nut #10	2175-05040	50	speed nut	2275-00123
22	spacer control rod (long)	3375-00438	51	screw	2175-03442
23	compression spring	3275-00084	52	spring, plunger	2375-00030
24	*plastic shim, .010	3275-00128	53	nut 5/16	2175-05071
25	arm, engagement	4375-00193	54	washer, flat 5/16	2275-00028
26	strain relief bushing	2675-00562	55	spacer, control rod (short)	3375-00438
	*as required		56	bolt 5/16 X 3 1/2	2175-01270