



**MODEL 44 POWER MEAT CUTTER  
OPERATING AND SERVICE MANUAL  
STARTING WITH SERIAL NO. 3850**



☆ **IMPORTANT NOTICE** ☆

**This Manual contains important safety instructions which must be strictly followed when using this equipment.**



# TABLE OF CONTENTS

	Page
NOTICE TO OWNERS AND OPERATORS .....	1
SAFETY TIPS.....	2
INSTALLATION .....	3-5
OPERATION.....	6
TO PROCESS PRODUCT .....	6-7
CLEANING.....	8
MAINTENANCE .....	9
GENERAL .....	9
LUBRICATION.....	10
SAW GUIDE BAR AND SAW GUARD.....	11
PARTS DIAGRAMS.....	12-19
LONGER SAW GUARD KIT.....	20
OPERATOR'S NOTES .....	21
SWITCH ASSEMBLIES AND SERVICE PARTS.....	22 & 24
WIRING DIAGRAMS.....	23 & 25
WEARABLE SAW PARTS LIST .....	26
PARTS LIST/ORDERING .....	27
PARTS ASSEMBLIES LIST/ORDERING .....	28
WARNING LABEL LOCATIONS ON MACHINE .....	29
WALL CHART (PART NO. 671) .....	30
OPERATOR'S SIGNATURE PAGE .....	31
LIMITED WARRANTY .....	32



## NOTICE TO OWNERS AND OPERATORS

BIRO's products are designed to process food products safely and efficiently. Unless the operator is properly trained and supervised, there is the possibility of a serious injury. It is the responsibility of the owner to assure that this machine is used properly and safely, strictly following the instructions contained in this Manual and any requirements of local law.

No one should use or service this machine without proper training and supervision. All operators should be thoroughly familiar with the procedures contained in this Manual. Even so BIRO cannot anticipate every circumstance or environment in which its products will be used. You, the owner and operator, must remain alert to the hazards posed by the function of this equipment – particularly the SHARP MOVING BAND TYPE SAW BLADE. No one under eighteen (18) years of age should operate this equipment. If you are uncertain about a particular task, ask your supervisor.

This Manual contains a number of safe practices in the SAFETY TIP section. Additional warnings are placed throughout the Manual. Warnings related to your personal safety are indicated by:



OR



Warnings related to possible damage are indicated by:



BIRO also has provided a wall chart to be posted near the equipment. If any warning label, wall chart, or Manual becomes misplaced, damaged, or illegible, please contact your nearest Distributor or BIRO directly for a replacement.

Remember, however, this Manual or the warning labels do not replace the need to be alert and to use your common sense when using this equipment.

This Manual applies to machines with serial number 3850 and higher, except where noted.

– NOTE –

**A copy of this manual is included with each MODEL 44 POWER SAW.**

**The descriptions and illustrations contained in this manual are not binding.  
The manufacturer reserves the right to introduce any modification without updating the manual.**

## SAFETY TIPS



### **SHARP MOVING BAND TYPE SAW BLADE TO AVOID SERIOUS PERSONAL INJURY**

**NEVER** Touch This Machine Without Training and Authorization By Your Supervisor.

**ALWAYS** Read Operation and Service Manual **BEFORE** Operating, Cleaning or Servicing.

**ALWAYS** Keep Hands Clear of Sharp Band Type Saw Blade and Other Moving Parts.

**ONLY** Use a Qualified Electrician to Install According to Local Building Codes: Machine **MUST** Be Properly Grounded.

**ONLY** Install on Level, Non-Skid Surface in a Clean Well-Lighted Work Area Away from Children and Visitors.

**DO NOT** Attempt to Operate This Machine Until it has Been Inspected and Demonstrated by the Seller – Recognized **BIRO** Representative.

**DO NOT** Alter or Modify This Machine in any Way From its Original Form. This Machine in its Original Form Meets the Intent of O.S.H.A. Applicable Standards.

**NEVER** Operate with Saw Guard on Saw Guide Bar in the Raised Position or the Saw Guard Removed from the Saw Guide Bar.

**ALWAYS** Adjust Saw Guide Bar with Saw Guard to Within  $\frac{1}{2}$ " of Product to be Cut.

**ALWAYS** Use Safety End Cut Pusher Plate for Smaller Products or the Last Cuts of Product.

**DO NOT** Use This Machine for Non-Food Products.

**DO NOT** Use This Machine to Cut Pigs Feet.

**DO NOT** Wear Gloves While Operating.

**ALWAYS** Turn Off, Unplug From Power Source and Perform Lockout/Tagout Procedure to This Machine **BEFORE** Removing Shrouds, Removable Guards, Cover, Doors, Fences or Panels for Cleaning, Servicing or any Other Reason.

**NEVER** Leave Machine Unattended While Operating.

**PROMPTLY REPLACE** Any Worn or Illegible Warning Labels.

**USE ONLY BIRO** Parts and Accessories Properly Installed.

# INSTALLATION



## TO AVOID SERIOUS PERSONAL INJURY PROPERLY INSTALL EQUIPMENT IN ADEQUATE WORK AREA

**ALWAYS** Use Qualified Technician and Electrician for Installation.

**ALWAYS** Install Equipment in Work area with Adequate Light and Space.

**ONLY** Operate on a Solid, Level, Non-Skid Surface.

**NEVER** Operate with Saw Guard on Saw Guide Bar in the Raised Position or the Saw Guard Removed from the Saw Guide Bar.

**ALWAYS** Adjust Saw Guide Bar with Saw Guard to Within  $\frac{1}{2}$ " of Product to be Cut.

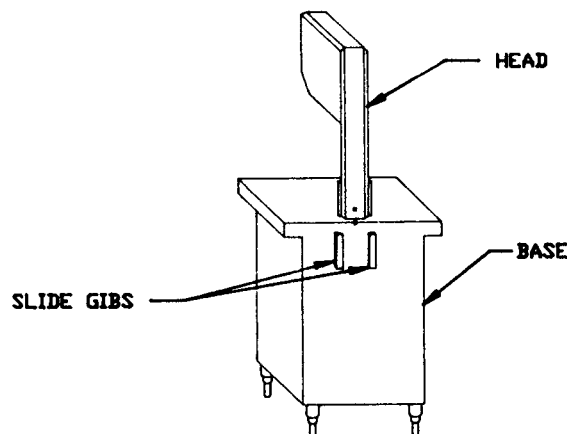
**NEVER** Operate Without all Warning Labels Attached and Wall Chart Posted.

1. Read this Manual thoroughly before installation and operation. Do not proceed with installation and operation if you have any questions or do not understand anything in this Manual. Contact your local Distributor, or BIRO first.
2. Install machine on a level, solid, non-skid surface in a well-lighted work area away from children and visitors.



### ALWAYS LEVEL MACHINE BEFORE USING

3. After installing machine in operational area, it is imperative that the four adjusting leg hex bolts be adjusted to level the machine and also to eliminate rocking.
4. To assemble meat gauge plate (Part No. A18275) to the machine; Loosen the lock knob (Part No. 272-7) on the right side of meat gauge bracket. Raise the meat gauge gear rack (Part No. 18272) and slip the meat gauge plate over the gear rack. Lower the gear rack back to its original position, tighten lock knob. Keep gear rack well oiled with food grade oil to ensure free movement.
5. The head structure (Part No. S18005) comes detached from the base. Slip the head into the slide gibs (Part No. 18260) located on the back of the base structure. Make sure the slide gibs are oiled or greased to ensure free vertical movement of the head structure.



6. Place removable finger lift with saw guard assembly (Part No. A18211) on the saw guide bar (Part No. 116-27) and fasten in place with finger lift fastener knob (Part No. 211A-291Q).



**SHARP SAW BLADE. HANDLE WITH EXTREME CAUTION.**

7. Placing blade on cutter: Hang upper wheel assembly (Part No. A18003U335) on the hinge bracket (Part No. 71-2). Lift the nylon filler (Part No. 177). Hang blade on the upper wheel and hold with right hand. With left hand force the back of the blade between the front blade cleaners (Part No. 131), located below the nylon filler. Lower the nylon filler and insert the back of the blade in the upper saw guide (Part No. 602B). The blade has already dropped over the lower wheel. With right hand force the back of the blade between the rear blade cleaners (Part No. 131). The blade is now ready to be tightened. Press down on the ratchet arm (Part No. 18010) located at the rear of the base structure. Turn the upper wheel slowly by hand to ensure proper tracking of the saw blade on the wheels. Tighten to proper tension. When the tension gauge (Part No. 18197), located at the bottom rear of the head becomes tight laterally the blade is at proper tension.
8. The stationary platter (Part No. A18163) is placed on top of the base structure and held in place by two push-pull hold down rods (Part No. 18212W), located at the back of the base structure.
9. The sliding meat carriage assembly (Part No. A18155EZ) is installed by turning the movable stop assembly (Part No. A16200) clockwise. After the carriage assembly is in the channel for operation, turn the movable stop counterclockwise to lock.
10. Post **SAFETY TIPS** wall chart within easy view of operator. Keep Manual available to operator.
11. Machine **MUST** be properly grounded. Use qualified electrician to install according to building codes.

**WIRING MOTOR**

- (1) Interchange of motor current is made in motor outlet box. Leads are properly marked. Changing instructions are on motor plate or motor outlet box.
- (2) All cutters are wired 220 volts unless otherwise specified. Be sure motor specifications (voltage, cycle, phase) match power supply line. Be sure line voltage is up to specification.
- (3) Connect leads to machine in a manner that will be approved by local electrical inspectors.
- (4) We recommend no less than No. 12 wire. If the leads are too light, machine may not have sufficient cutting power and/or speed.
- (5) The V-belt is packed loose in machine to prevent deformation, and must be installed on pulleys at time of wiring motor.
- (6) The BIRO Manufacturing Company is not responsible for permanent wiring, connection or installation.



**NOTE TO OWNER AND ELECTRICIAN: IF THIS MACHINE IS NOT CORD AND PLUG CONNECTED TO THE ELECTRICAL SUPPLY SOURCE, THEN IT SHOULD BE EQUIPPED WITH, OR CONNECTED TO, A LOCKABLE, MANUALLY OPERATED DISCONNECT SWITCH (OSHA 1010.147).**



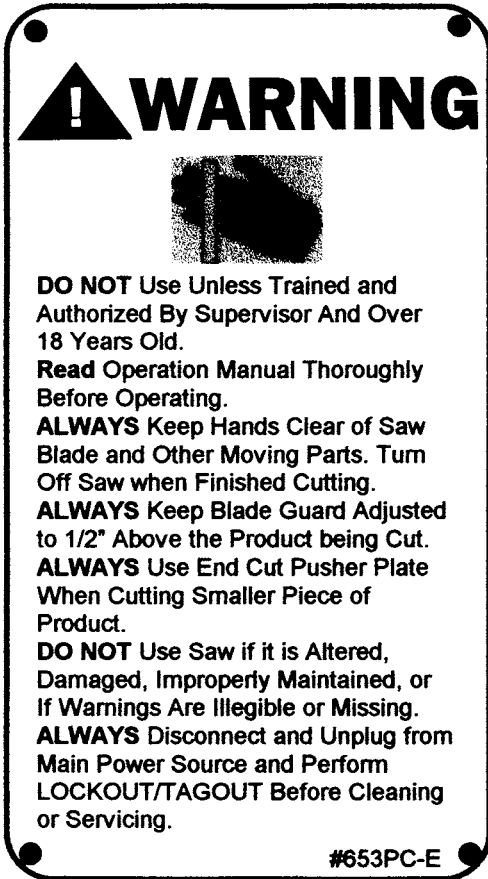
**KEEP HANDS CLEAR OF SHARP MOVING BAND TYPE SAW BLADE.**



12. Make sure saw guide bar with saw guard is in its lowest position. Close head and base doors.
13. Push start button and check for proper phasing of motor. Blade should be travelling down through saw guide.
14. Watch for proper tracking of blade. Back of blade should be centered in hole in saw guide in stationary bar (Part No. 119A). Push stop button to stop machine.
15. Check placement of all warning labels, wall chart and Manual. Machine is ready for trained operators to process product.
16. Contact your local Distributor or BIRO directly if you have any questions or problems with the installation or operation of this machine.

## WARNING LABELS AND WALL CHART FOR BIRO POWER CUTTERS

SEE PAGE 27 AND 28 FOR LOCATIONS ON THIS MACHINE



**! WARNING**

**DO NOT** Use Unless Trained and Authorized By Supervisor And Over 18 Years Old.

**Read** Operation Manual Thoroughly Before Operating.

**ALWAYS** Keep Hands Clear of Saw Blade and Other Moving Parts. Turn Off Saw when Finished Cutting.

**ALWAYS** Keep Blade Guard Adjusted to 1/2" Above the Product being Cut.

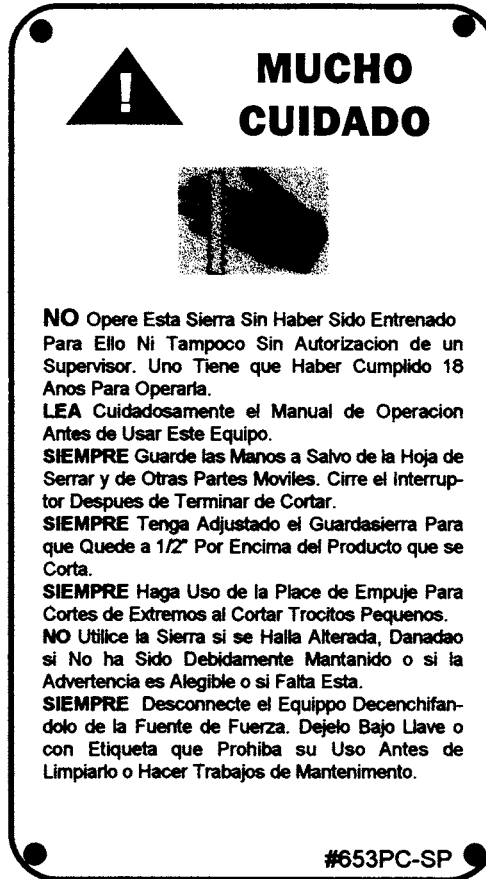
**ALWAYS** Use End Cut Pusher Plate When Cutting Smaller Piece of Product.

**DO NOT** Use Saw if it is Altered, Damaged, Improperly Maintained, or If Warnings Are Illegible or Missing.

**ALWAYS** Disconnect and Unplug from Main Power Source and Perform LOCKOUT/TAGOUT Before Cleaning or Servicing.

#653PC-E

Item No. 653PC-E



**! MUCHO CUIDADO**

**NO** Opere Esta Sierra Sin Haber Sido Entrenado Para Ello Ni Tampoco Sin Autorizacion de un Supervisor. Uno Tiene que Haber Cumplido 18 Anos Para Operarla.

**LEA** Cuidadosamente el Manual de Operacion Antes de Usar Este Equipo.

**SIEMPRE** Guarde las Manos a Salvo de la Hoja de Serrar y de Otras Partes Moviles. Cirre el Interruptor Despues de Terminar de Cortar.

**SIEMPRE** Tenga Ajustado el Guardasierra Para que Quede a 1/2" Por Encima del Producto que se Corta.

**SIEMPRE** Haga Uso de la Placa de Empuje Para Cortes de Extremos al Cortar Trocitos Pequenos.

**NO** Utilice la Sierra si se Halla Alterada, Danadao si No ha Sido Debidamente Mantenido o si la Advertencia es Alegible o si Falta Esta.

**SIEMPRE** Desconecte el Equipo Decenchifandolo de la Fuente de Fuerza. DejeLo Bajo Llave o con Etiqueta que Prohiba su Uso Antes de Limpiarlo o Hacer Trabajos de Mantenimiento.

#653PC-SP

Item No. 653PC-SP



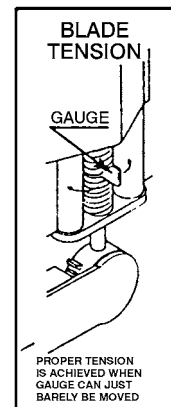
**WARNING**

**DO NOT TAMPER, BYPASS, REMOVE ANY SAFETY INTERLOCK SWITCHES OR OTHER SAFETY DEVICES.**

**ALWAYS DISCONNECT POWER SUPPLY BEFORE REMOVING SHROUDS, GUARDS, COVERS, DOORS, FENCES, PANELS, FOR CLEANING, SERVICING, REASSEMBLING, OR ANY REASON. FAILURE TO COMPLY WITH WARNING COULD RESULT IN SERIOUS BODILY INJURY.**

653PS

653PS



Item No. 710



**ALWAYS LOWER GUARD TO HEIGHT OF PRODUCT**

**DANGER**

**EXPOSED BLADE**

↓

Item No. 708

## OPERATION



### **SHARP MOVING BAND TYPE SAW BLADE TO AVOID SERIOUS PERSONAL INJURY**

**ONLY** Properly Trained Personnel Should Use This Equipment.

**ALWAYS** Keep Hands Clear of Band Type Saw Blade and Other Moving Parts.

**NEVER** Operate with Saw Guard on Saw Guide Bar in the Raised Position or the Saw Guard Removed from the Saw Guide Bar.

**ALWAYS** Adjust the Saw Guide Bar with Saw Guard to Within  $\frac{1}{2}$ " of Product to be Cut.

**ALWAYS** Use Safety End Cut Pusher Plate for Smaller Products or The Last Cuts of Product.

**DO NOT** Wear Gloves While Operating.

**DO NOT** Tamper With, Bypass, Alter or Modify This Equipment in Any Way from its Original Condition.

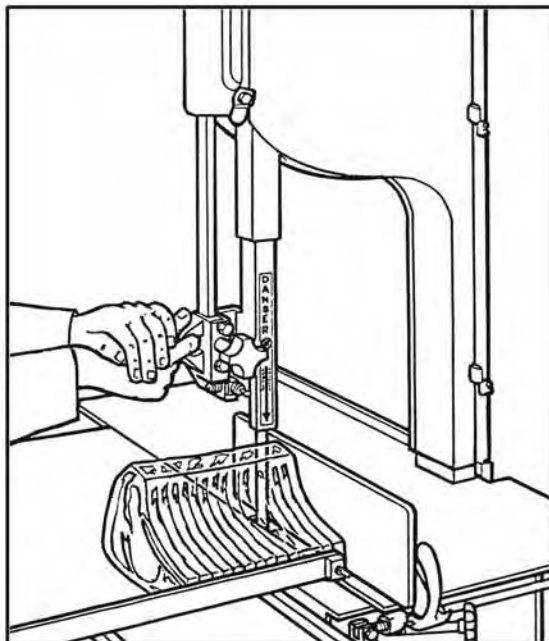
**ALWAYS** Turn Off, Unplug from Power Source and Perform Lockout/Tag Out Procedures to This Machine Before Cleaning, Servicing or When Not in Use.

**NEVER** Leave Unattended While The Saw is running

**NEVER** Operate Without All Warning Labels Properly Affixed to Machine and Wall Chart Posted.

#### **A. TO PROCESS PRODUCT**

1. Before starting power cutter, adjust saw guide bar with saw guard down to within  $\frac{1}{2}$ " (13 mm) of product to be cut.





## DO NOT WEAR GLOVES WHILE OPERATING

2. Make sure all doors are closed and locked.
3. Adjust meat gauge plate forward to desired thickness of cut.
4. Push start button and watch blade for proper tracking.
5. Standing in front of the power cutter, place product on the meat carriage. Pay attention to position of your hands. Keep hands clear of moving band type saw blade. Leaning lightly against the scalloped front edge of meat carriage, hold the product firmly in right hand with product face flush against meat gauge plate. Move the meat carriage from right to left at a steady rate until fully past the saw blade. Use left hand to remove and stack cut product, **NEVER REACH IN FRONT OF BAND TYPE SAW BLADE**. On the return stroke, pull the product toward you, away from saw blade.



## NEVER REACH OR GRAB FOR PRODUCT IN FRONT OF MOVING BAND TYPE SAW BLADE

6. **ALWAYS** use the safety End Cut Pusher Plate (Part No. 256P) for smaller products or the last cuts of product. The pusher plate is supplied as standard on all BIRO power cutters.

# ONLY PROPERLY TRAINED PERSONNEL SHOULD USE THIS EQUIPMENT

## This Saw Contains A Sharp Blade. To Reduce Risk of Injury:

### 1. Before Using, Make Sure:

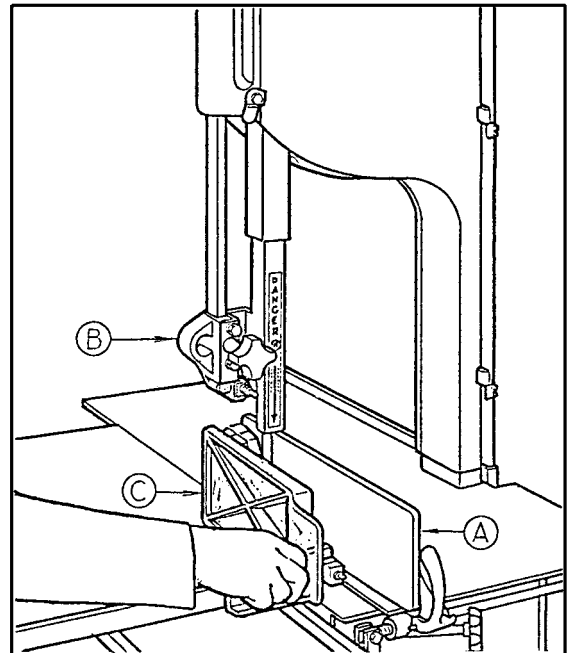
- Gauge Plate (A) And Other Components Are Secure.
- All Warning Labels And Guards Are In Place.
- The Guide Bar (B) Is Adjusted To ½ Inch Above The Product To Be Cut

### 2. While Cutting:

- Keep Hands and Fingers Away From Blade.
- Keep Product Securely Against Gauge Plate.
- Use End Cut Pusher (C) When Making Final Cuts. Item No. 256P.

### 3. Before Cleaning:

- Turn Off Power and Unplug.
- Remove Saw Blade.
- Use Extra Care When Handling The Saw Blade.



7. When finished cutting, push stop button. Perform lockout/tagout procedure.

# CLEANING



## SHARP MOVING BAND TYPE SAW BLADE TO AVOID SERIOUS PERSONAL INJURY

**ALWAYS** Turn Off, Unplug From Power Source and Perform Lockout/Tagout Procedure to This Machine **BEFORE** Cleaning or Servicing.

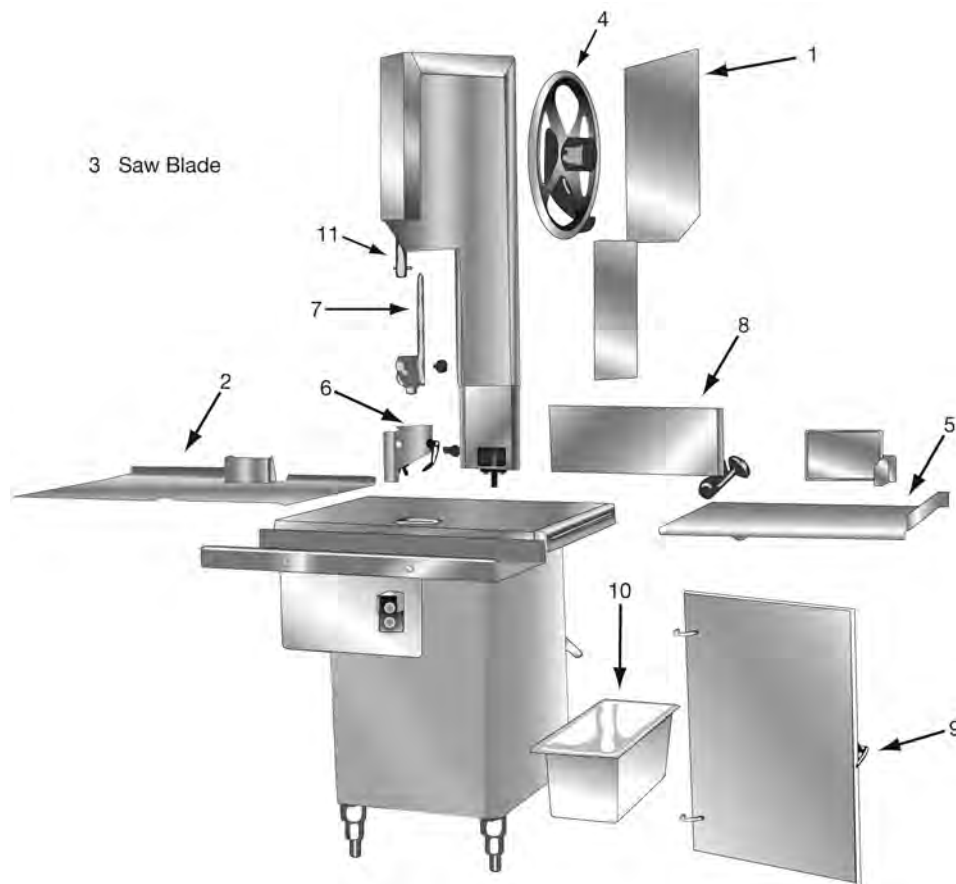
**ONLY** Use Recommended Cleaning Equipment, Materials and Procedures.

**NEVER** Spray Water or Other Liquid Substances Directly at Motor, Power Switch or any Other Electrical Components.

**ALWAYS** Thoroughly Clean Equipment at Least Daily.

### CLEANING THE BIRO POWER CUTTER:

Disconnect electrical power to the machine before cleaning. Parts to be removed have been made accessible and can be removed without tools. Notice in the drawing below that all parts are numbered. Each part should be removed for cleaning in the numbered sequence shown. To ensure cleaner cuts, keep the parts on the cleaning system in good condition. Parts on the cleaning system which should be checked weekly, and changed as required are as follows: Wheel Cleaners (Part No. 179), Saw Cleaners (Part No. 131), Saw Guide in Stationary Bar (Part No. 119A), Upper Saw Guide (Part No. 602B), Lower Blade Back-Up Guide (Part No. 605) and Nylon Filler (Part No. 177).



# MAINTENANCE



## SHARP MOVING BAND TYPE SAW BLADE TO AVOID SERIOUS PERSONAL INJURY

**ALWAYS** Turn Off, Unplug From Power Source and Perform Lockout/Tag Out Procedure to This Machine **BEFORE** Cleaning or Servicing.

**NEVER** Touch This Machine Without Training and Authorization By Your Supervisor.

**ALWAYS** Keep Hands Clear of Band Type Saw Blade and Other Moving Parts.

**NEVER** Bypass, Alter, or Modify This Equipment in Any Way From Its Original Condition.

**PROMPTLY REPLACE** Any Worn or Illegible Warning Labels.

**USE ONLY GENUINE BIRO** Parts and Accessories Properly Installed.

### A. GENERAL



**MACHINE SHOULD BE GENERALLY INSPECTED EVERY TIME IT IS CLEANED (AT LEAST DAILY) TO ENSURE THAT IT IS IN GOOD CONDITION AND HAS NOT BEEN DAMAGED OR TAMPERED WITH**

- A. **SAW WHEELS:** Clean outer diameter grooves daily. Check for cracks, gouges or wear on the flange and grooves.



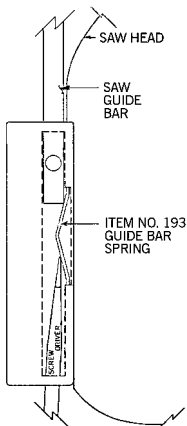
**DO NOT IMMERSE UPPER WHEEL ASSEMBLY IN WATER**

- B. **WHEEL CLEANER ASSEMBLIES:** Check condition of fiber cleaner, change every four (4) weeks.  
C. **REMOVABLE FINGER LIFT ASSEMBLY:** Check condition of saw guard, make sure mounting bolts are tight and the "DANGER EXPOSED BLADE" decal is affixed and legible. Check condition of upper saw guide (Part No. 602B), replace every six (6) months. Check adjustment of upper saw guide. Should be  $\frac{1}{32}$ " between back of blade and saw guide carbide.



**NEVER USE THIS MACHINE WITHOUT PROPERLY INSTALLED AND FUNCTIONING SAW GUIDE BAR AND SAW GUARD**

- D. **SAW GUIDE BAR:** Check condition of bar for coating peeling and wear, replace as necessary. Check saw guide bar spring for proper tension. The spring should hold the bar in any desired position in its travel. Replace saw guide bar spring (Part No. 193) as necessary using instructions below.



1. Remove the finger lift fastener knob and the fingerlift assembly.
2. Remove the finger lift fastener stud.
3. Push the saw guide bar up and out of the top of the head structure.
4. Remove the saw guide bar spring.
5. Clean and lubricate the babbitt pocket area (the square indented area that seats the saw guide bar spring).
6. Lower the new saw guide bar spring through the top of the babbitt pocket area and guide the spring into position with a standard screwdriver. (NOTE: Drawing)
7. While holding the saw guide bar spring in position, re-enter the saw guide bar from the top compressing the saw guide bar spring slightly until the saw guide bar slides past the spring.
8. Replace the finger lift fastener stud, the finger lift assembly and the finger lift fastener knob.
9. Test by making several adjustments.

- E. **STATIONARY BAR ASSEMBLY:** Check condition of nylon filler (Part No. 177), change every four (4) weeks. Check condition of saw guide (Part No. 119A), check tracking of blade through guide, back of blade should be centered in hole, replace every six (6) months. Check condition of lower blade back-up guide (Part No. 605). Check adjustment of back-up guide, should have  $\frac{1}{32}$ " gap between back of blade and saw guide carbide. Replace every six (6) months.
- F. **SAW CLEANERS:** Check condition of blade cleaners, replace every four (4) weeks.
- G. **RATCHET ASSEMBLY:** Check for smooth operation through full range of travel. Check condition of trigger spring, replace as necessary.
- H. **SLIDE GIBS:** Check that the head structure moves freely up and down. Check for side to side and fore to aft tolerance. Adjust as required. Grease every four (4) weeks.
- I. **MEAT GAUGE ASSEMBLY:** Check free movement of meat gauge plate on gear rack. Gear rack to be kept lubricated at all times with light food grade oil. Check operation of release handle. Check that worm gear engages properly with gear rack.
- J. **MEAT CARRIAGE ASSEMBLY:** Check for free movement through full range of travel. Check for side to side tolerance, adjust as necessary. Check condition of bearings, replace as necessary. Check condition of thumb guard, replace as necessary.
- K. **SAFETY ITEMS:** Safety end cut pusher plate is with machine and accessible. All warning labels are present, properly affixed and legible. Model and Serial Number plate properly affixed and legible. Wall poster within operator's view from machine. Manual accessible to operator.

## B. LUBRICATION

1. **UPPER WHEEL BEARINGS:** Grease every four (4) months. Change grease every twelve (12) months.
2. **LOWER BEARING HOUSING:** Grease every four (4) months. Change grease every twelve (12) months.
3. **SLIDE GIBS:** Grease every four (4) weeks.
4. **MEAT CARRIAGE BEARINGS:** Grease every four (4) weeks.
5. **SAW GUIDE BAR:** Oil daily with food machine oil.
6. **MEAT GAUGE GEAR RACK:** Oil daily with food machine oil.

— NOTE —  
**USE SHELL CASSIDA  
 GREASE EPS-2**

7. **MOTOR BEARINGS** — Bearing grease will lose its lubricating ability over time, not suddenly. The lubricating ability of a grease (over time) depends primarily on the type of grease, the size of the bearing, the speed at which the bearing operates and the severity of the operating conditions. Good results can be obtained if the following recommendations are used in your maintenance program.

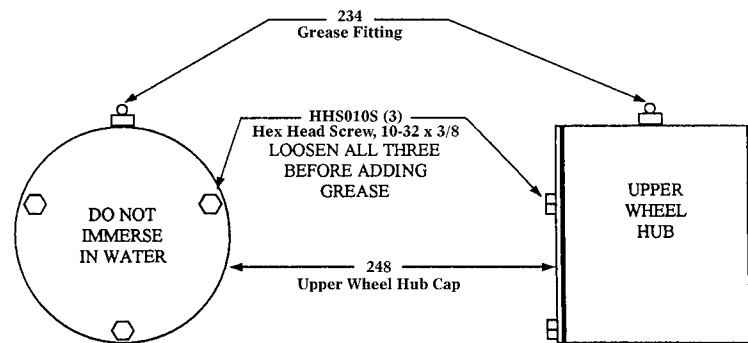
A high grade ball or roller bearing grease should be used. Recommended grease for standard service conditions is Polyrex EM (Exxon Mobil).

Equivalent and compatible greases include:

Texaco Polystar, Rykon Premium #2, Pennzoil Pen 2 Lube, and Chevorn SRI.

Recommended lubrications intervals is every 9 months with the equivalent of two (2) teaspoons of grease.

### SEE INSTRUCTIONS BELOW



When lubricating the upper wheel bearing it is important that the three hex head screws securing the upper wheel hub cap be loosened slightly before attempting to pump grease into the grease fitting. Loosening the screws allows for an escape of old broken down grease and air from the bearing cavity. Failure to loosen the screws before greasing the upper bearings can cause the upper shaft seal to be dislodged from the upper wheel allowing grease to escape and moisture to get into the cavity. When finished greasing the bearings, retighten the three screws. Take care to also clean off any grease that was pushed out of the cavity during greasing.

## C. SAW GUIDE BAR AND SAW GUARD

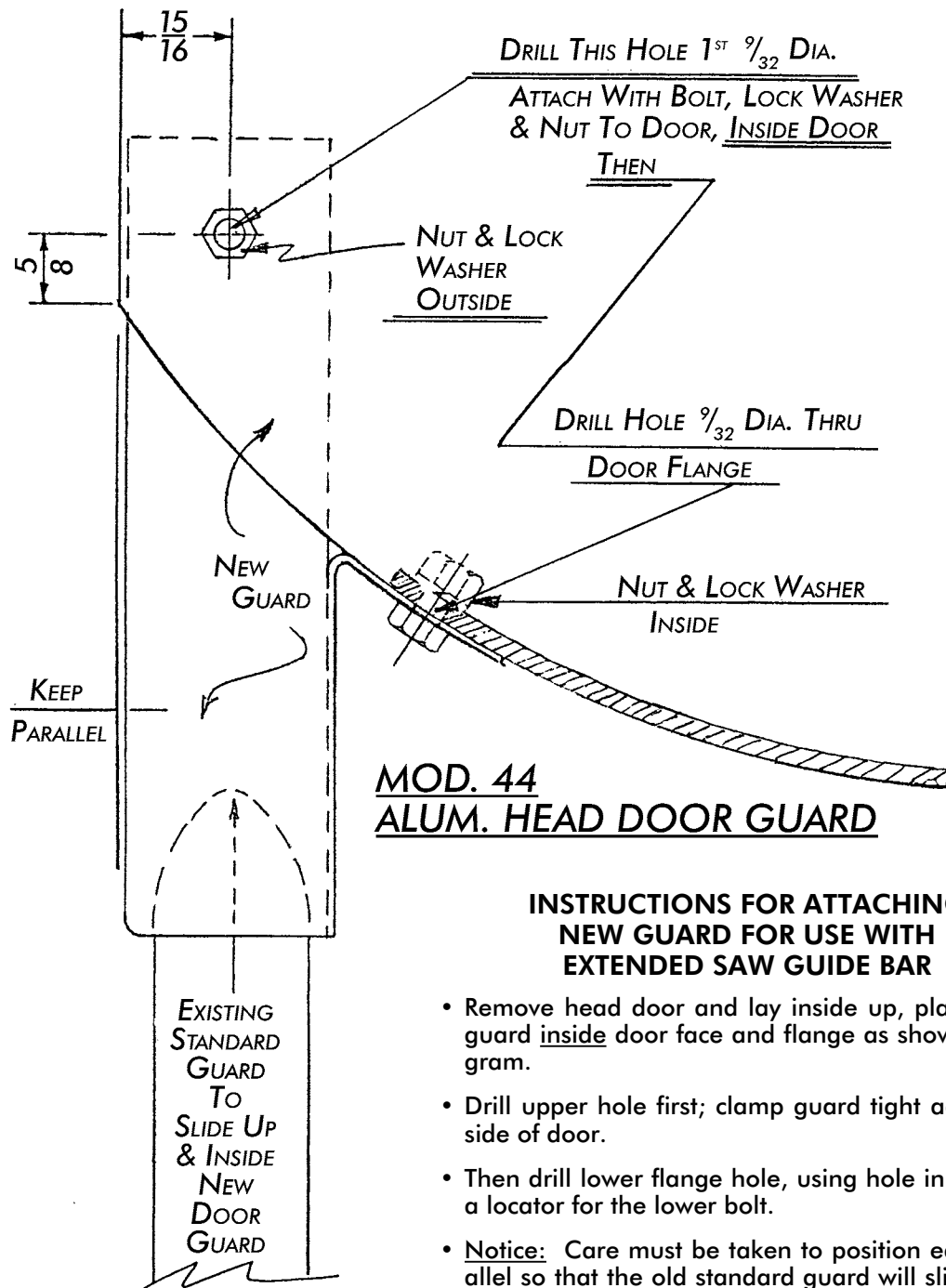
The factory recommends that when service is performed on any BIRO SAW the servicing agency be sure that the BIRO SAW is equipped with the most current safety features available.

### MODEL 44 SAW GUIDE BARS AND SAW GUARDS

Production of the BIRO Model 44 began March 1956. All units prior to serial #4511 were equipped with a (round) cast aluminum head. The saw guide bar measured 21½" and the (Item #255) SAW GUARD was the same as used on Models 33 and 34.

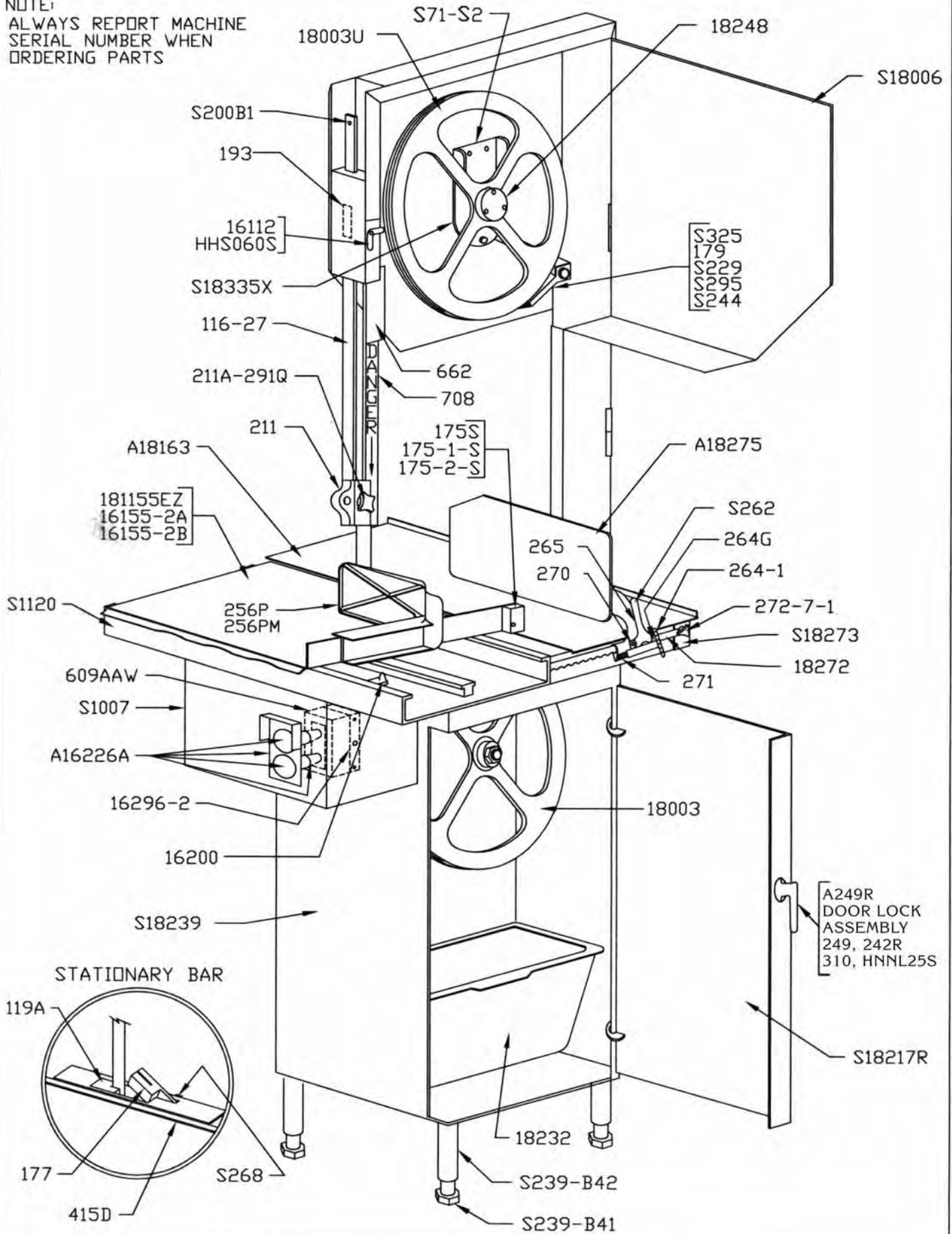
The factory recommends that on all units equipped with (round) cast aluminum heads, the complete head assembly be replaced with the current stainless steel (fabricated square) HEAD ASSEMBLY (Item #AS18005).

All units serial #4511 on were built with a fabricated (square) steel head. The saw guide bar on these units measured 27" and is current. All units serial #4511 on are equipped with the most current safety features.

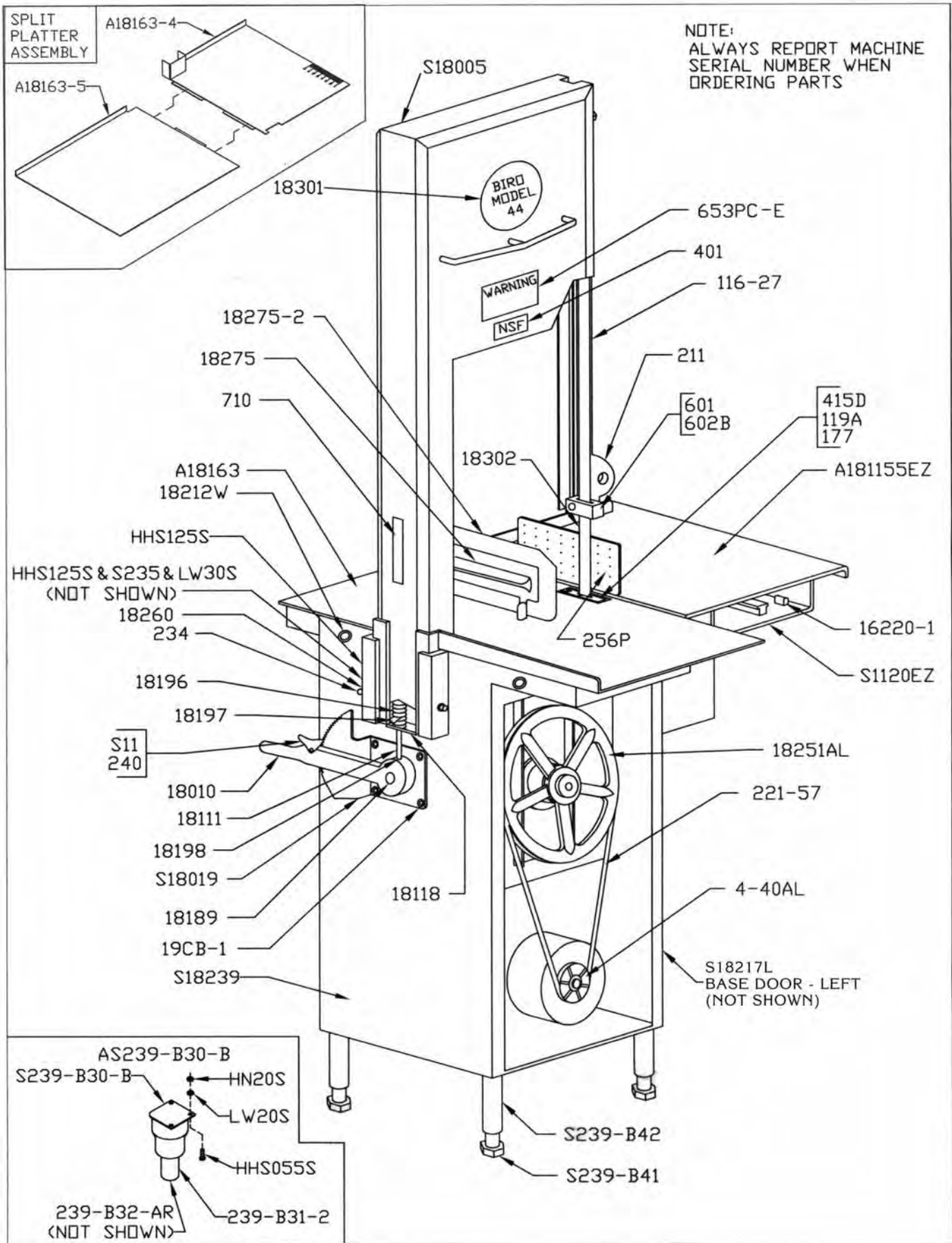


- Remove head door and lay inside up, placing new guard inside door face and flange as shown in diagram.
- Drill upper hole first; clamp guard tight against inside of door.
- Then drill lower flange hole, using hole in guard as a locator for the lower bolt.
- Notice: Care must be taken to position edges parallel so that the old standard guard will slide up inside the new guard.

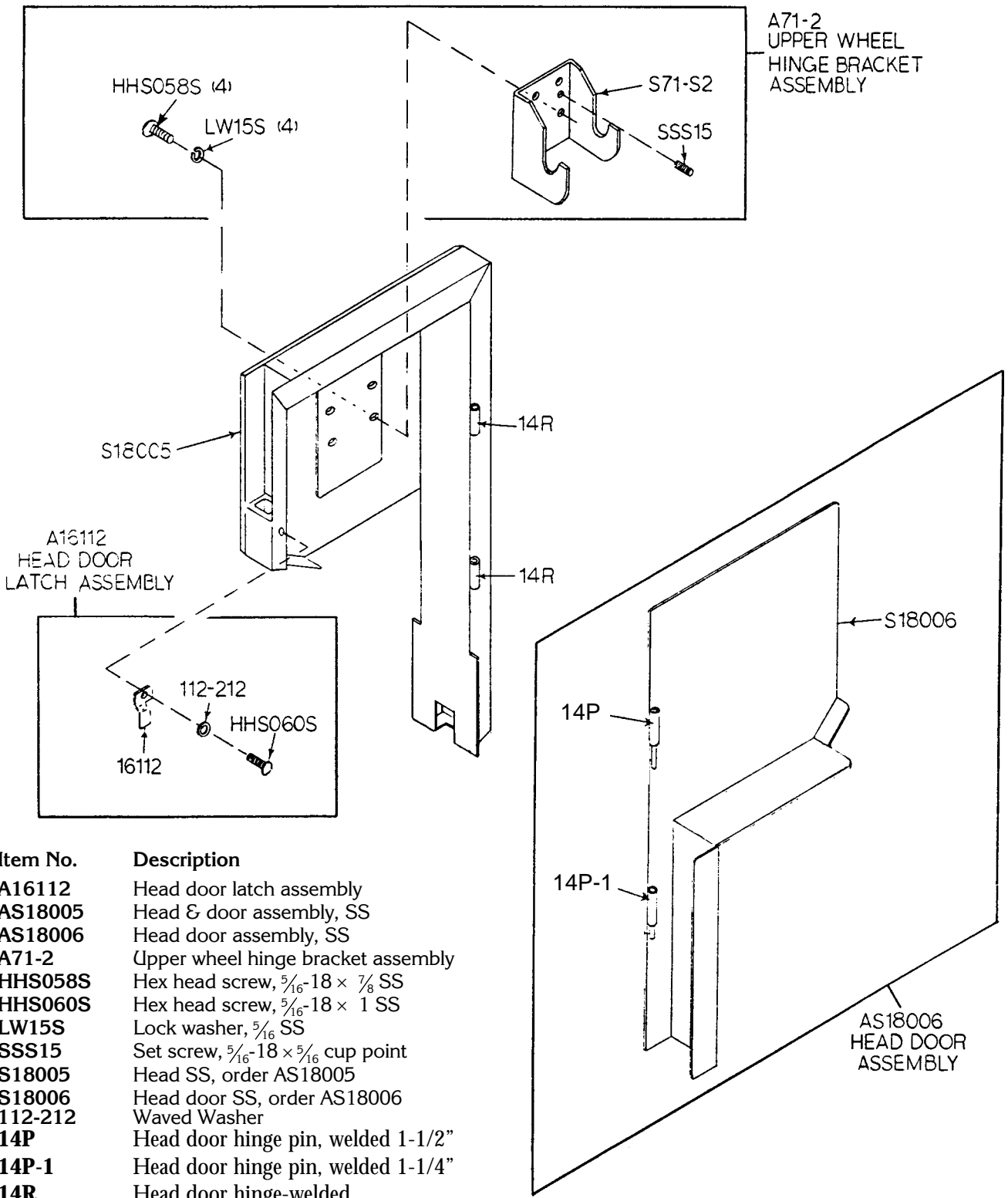
NOTE:  
ALWAYS REPORT MACHINE  
SERIAL NUMBER WHEN  
ORDERING PARTS



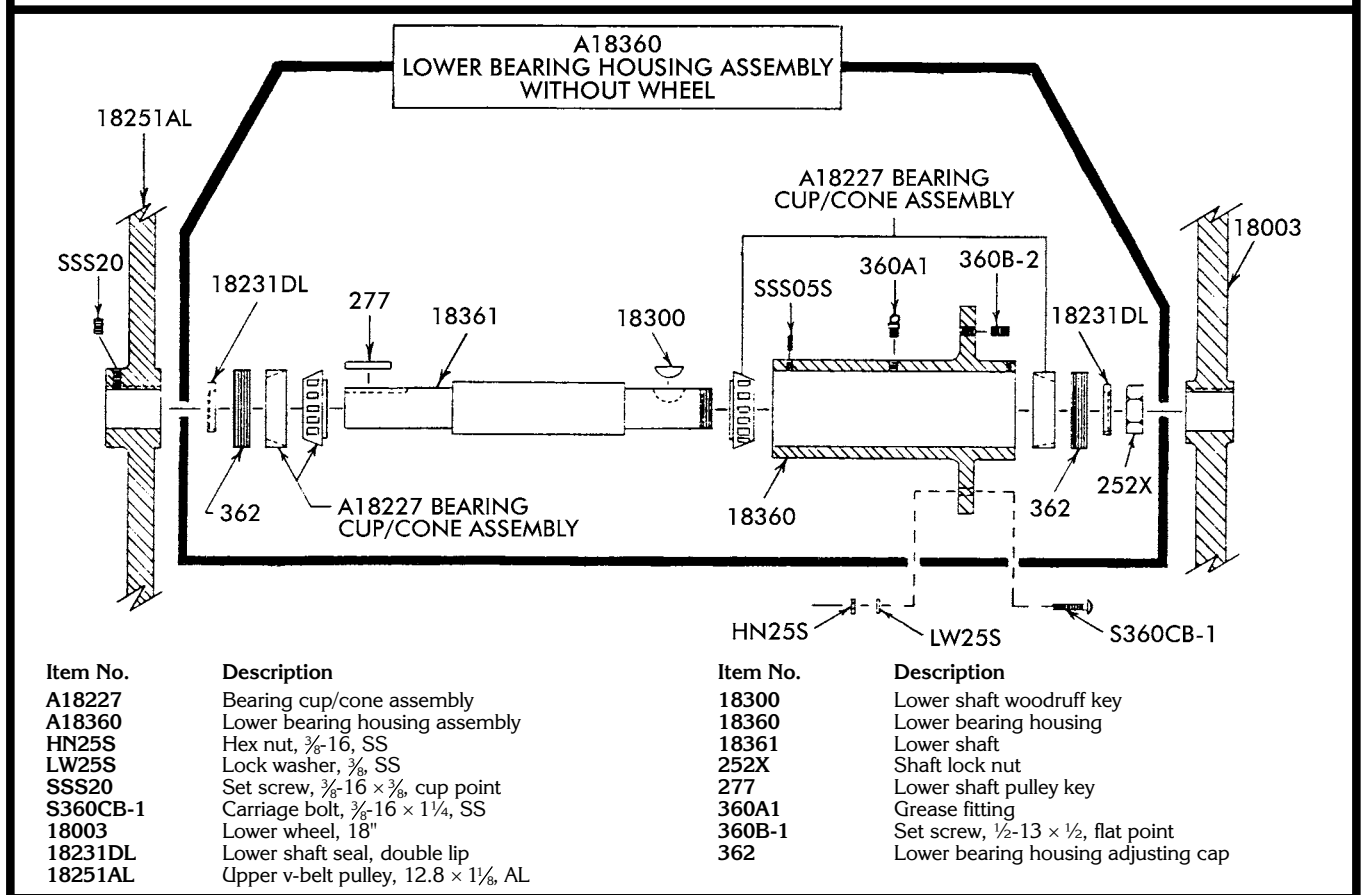
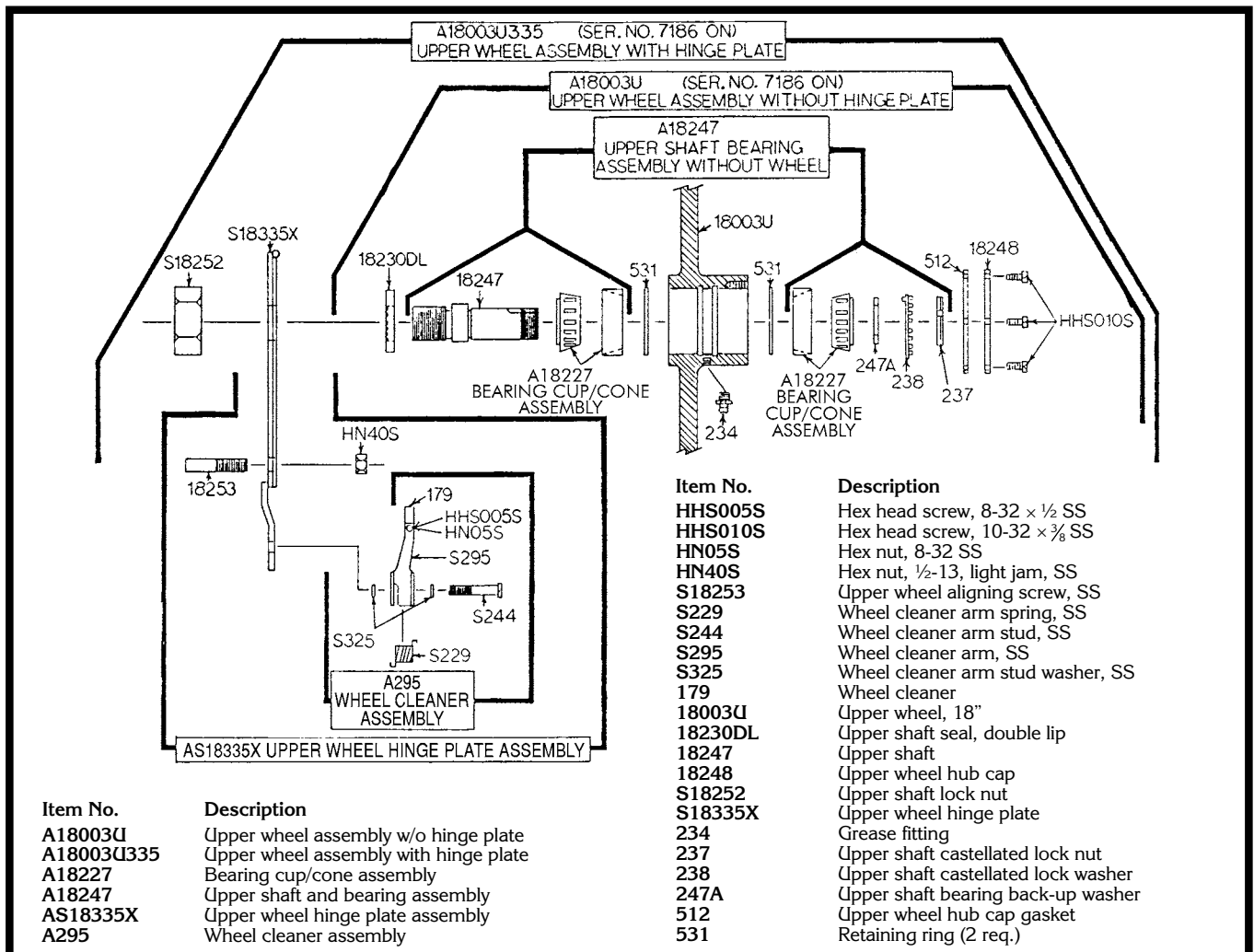




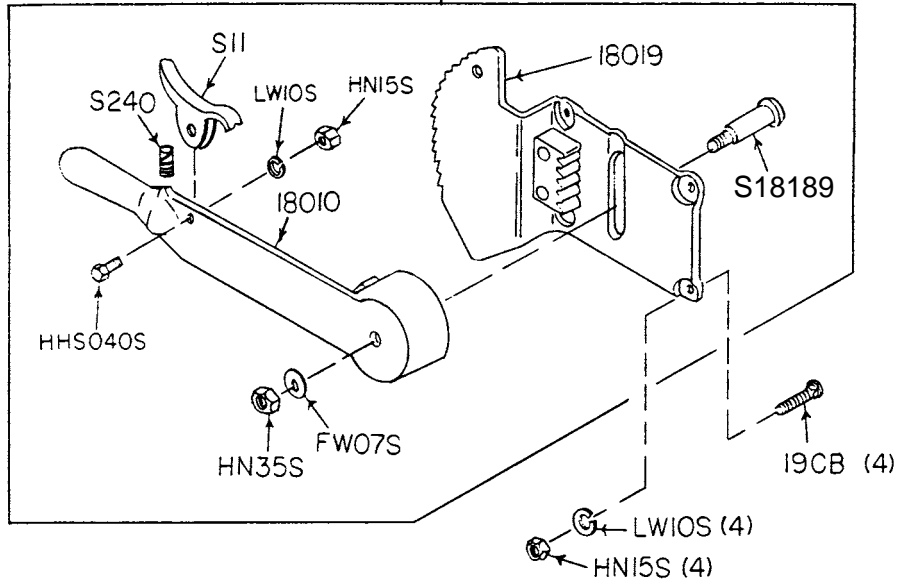
# AS18005 S.S. HEAD & DOOR ASSEMBLY



Item No.	Description
A16112	Head door latch assembly
AS18005	Head & door assembly, SS
AS18006	Head door assembly, SS
A71-2	Upper wheel hinge bracket assembly
HHS058S	Hex head screw, $\frac{5}{16}$ -18 x $\frac{7}{8}$ SS
HHS060S	Hex head screw, $\frac{5}{16}$ -18 x 1 SS
LW15S	Lock washer, $\frac{5}{16}$ SS
SSS15	Set screw, $\frac{5}{16}$ -18 x $\frac{5}{16}$ cup point
S18005	Head SS, order AS18005
S18006	Head door SS, order AS18006
112-212	Waved Washer
14P	Head door hinge pin, welded 1-1/2"
14P-1	Head door hinge pin, welded 1-1/4"
14R	Head door hinge-welded
16112	Head door latch
71-2	Upper wheel hinge bracket



AS18019  
RATCHET ASSEMBLY



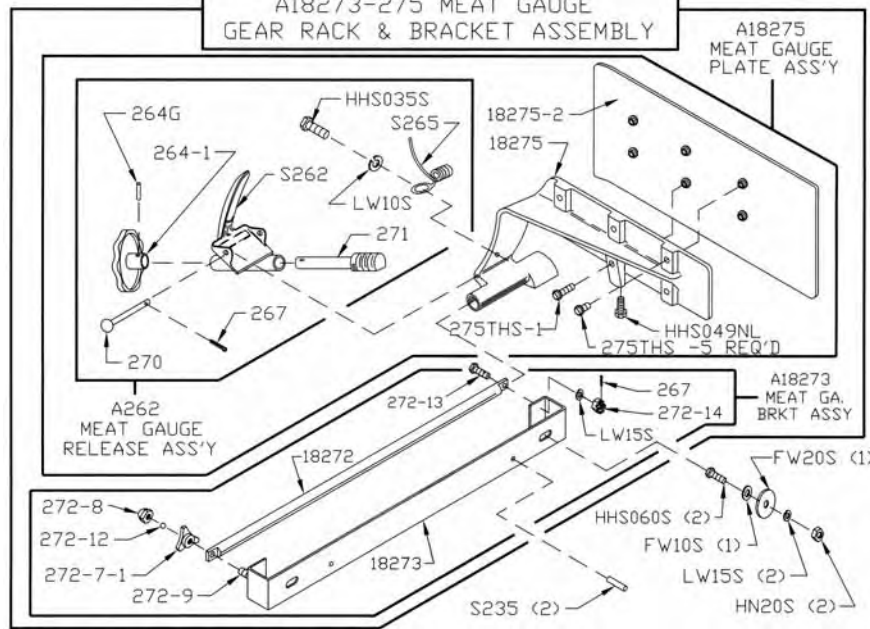
Item No.  
**AS18019**  
**FW07S**  
**HHS040S**  
**HN15S**  
**HN35S**  
**LW10S**

**Description**  
Ratchet assembly  
Flat washer,  $\frac{3}{8}$  SS  
Hex head screw,  $\frac{1}{4}$ -20  $\times$   $\frac{3}{4}$  SS  
Hex nut,  $\frac{1}{4}$ -20 SS  
Hex nut,  $\frac{3}{8}$ -16 SS  
Lock washer,  $\frac{1}{4}$  SS

**S11**  
**S18189**  
**S240**  
**18010**  
**18019**  
**19CB**

**Description**  
Ratchet trigger SS  
Ratchet arm stud SS  
Ratchet trigger spring, SS  
Ratchet arm  
Ratchet base  
Carriage bolt  $\frac{1}{4}$ -20  $\times$   $\frac{3}{4}$  SS

A18273-275 MEAT GAUGE  
GEAR RACK & BRACKET ASSEMBLY

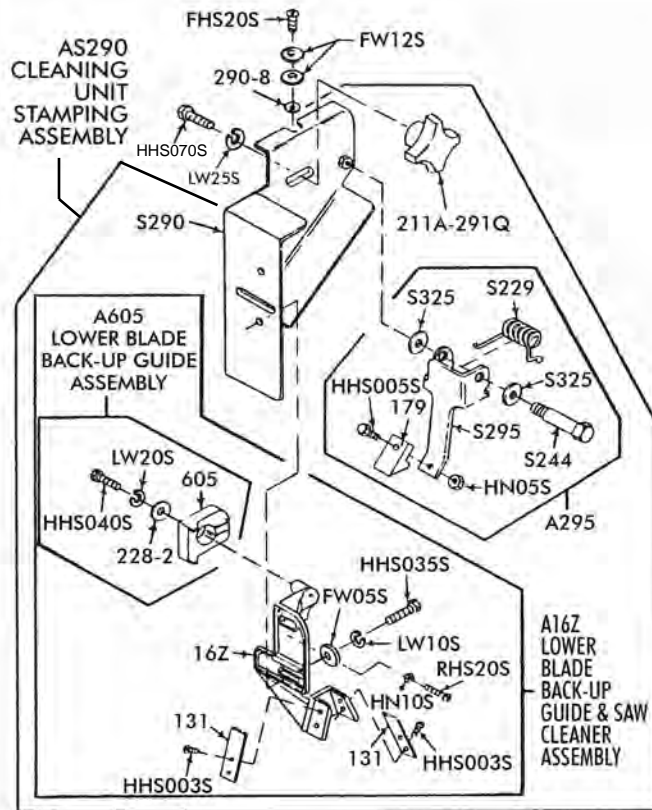


Item No.  
**A18273-275**  
**A18273**  
**A18275**  
**A262**  
**FW10S**  
**HHS035S**  
**HHS040S**  
**HHS049NL**  
**HHS060S**  
**HN20S**  
**LW10S**  
**LW15S**  
**S235**  
**S262**  
**S265**  
**S18272**

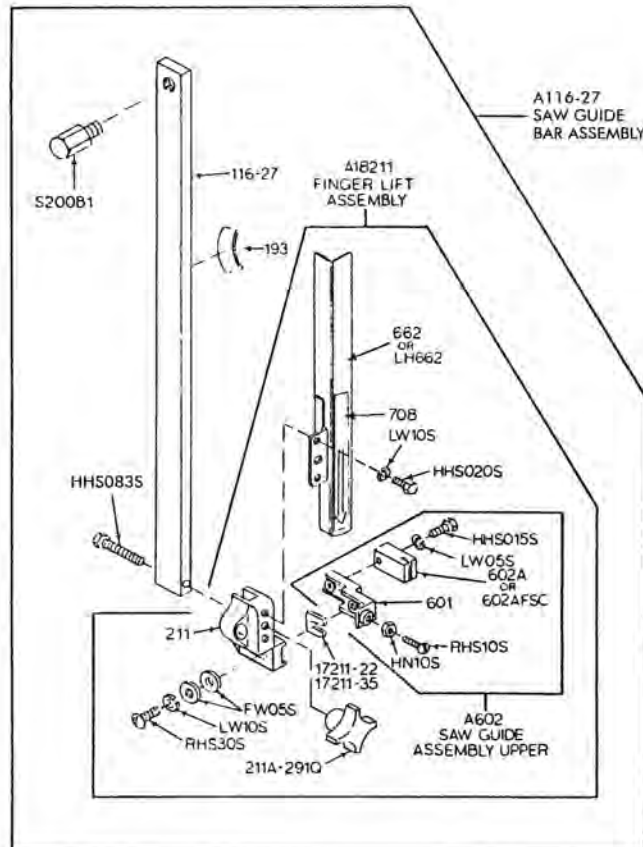
**Description**  
NOT SOLD AS ASSEMBLY  
Meat gauge bracket assembly  
Meat gauge plate assembly  
Meat gauge release assembly  
Flat washer,  $\frac{3}{16}$  SS  
Hex head screw  $\frac{1}{4}$ -20  $\times$   $\frac{5}{8}$  SS  
Hex head screw,  $\frac{1}{4}$ -20  $\times$   $\frac{3}{4}$  SS  
Hex screw - nylon  $\frac{5}{16}$ -18  $\times$   $\frac{1}{2}$  lg.  
Hex head screw,  $\frac{5}{16}$ -18  $\times$  1, SS  
Hex nut,  $\frac{3}{8}$ -18, SS  
Lock washer,  $\frac{1}{4}$  SS  
Lock washer,  $\frac{3}{16}$  SS  
Taper pin, 4  $\times$   $\frac{3}{4}$  SS  
Meat gauge release handle, SS  
Meat gauge release spring, SS  
Meat gauge gear rack

Item No.  
**18273**  
**18275**  
**18275-2**  
**264G**  
**264-1S**  
**267**  
**270**  
**271AL**  
**272-7-1**  
**272-8**  
**272-9**  
**272-12**  
**272-13**  
**275THS**  
**275THS-1**

**Description**  
Meat gauge bracket, ORDER A18273  
Meat gauge arm  
Meat gauge plate, SS  
Meat gauge hand wheel groove pin  
Meat gauge hand wheel  
Hand wheel shim  
Meat gauge release cotter key  
Meat gauge release pin  
Meat gauge worm gear  
Lock knob,  $\frac{5}{16}$ -18, 3 point  
Cap nut  $\frac{5}{16}$ -18 SS  
Hex head screw,  $\frac{5}{16}$ -18  $\times$  2, SS  
Brass ball,  $\frac{1}{32}$  dia.  
Hex head bolt,  $\frac{5}{16}$ -18  $\times$   $1\frac{1}{4}$ , SS  
Truss head screw,  $\frac{1}{4}$ -20  $\times$   $\frac{3}{8}$  (5 ea.)  
Truss head screw,  $\frac{1}{4}$ -20  $\times$  1 (1 ea.)

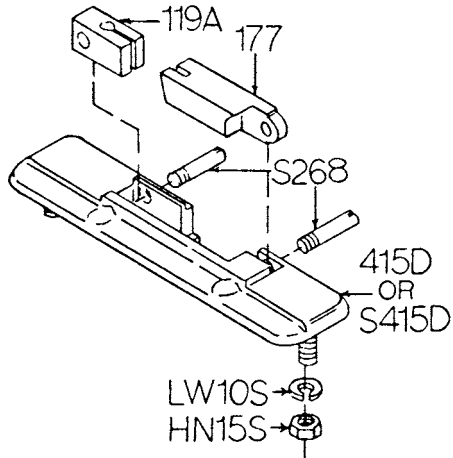


Item No.	Description
A16Z	Guide bracket saw cleaner assembly
A295	Wheel cleaner assembly
A605	Lower blade backup guide assembly
AS290	Cleaning unit stamping assembly
FHS20S	Flat head screw, 10-32 x 1/2, SS
FW05S	Flat washer, 1/4, SS
HHS003S	Hex head screw, 8-32 x 1/4, SS
HHS005S	Hex head screw, 8-32 x 1/2, SS
HHS035S	Hex head screw, 1/4-20 x 3/8, SS
HHS040S	Hex head screw, 1/4-20 x 3/4, SS
HHS070S	Hex head screw, 3/8-16 x 1, SS
HN05S	Hex nut, 8-32, SS
HN10S	Hex nut, 10-32, SS
LW10S	Lock washer, 1/4, SS
LW25S	Lock washer, 3/8, SS
RHS20S	Round head screw, 10-32 x 1 1/4, SS
S229	Wheel cleaner arm spring, SS
S244	Wheel cleaner arm stud, SS
S290	Cleaning unit stamping, SS
S295	Wheel cleaner arm, SS
S325	Wheel cleaner washer, SS
131	Saw cleaner, SS
16Z	Lower guide bracket saw cleaner holder
179	Wheel cleaner
211A-291Q	Fastener knob, 4 point
228-2	Lower guide washer
290-8	Cleaning unit locator washer, SS
605	Saw guide lower blade backup



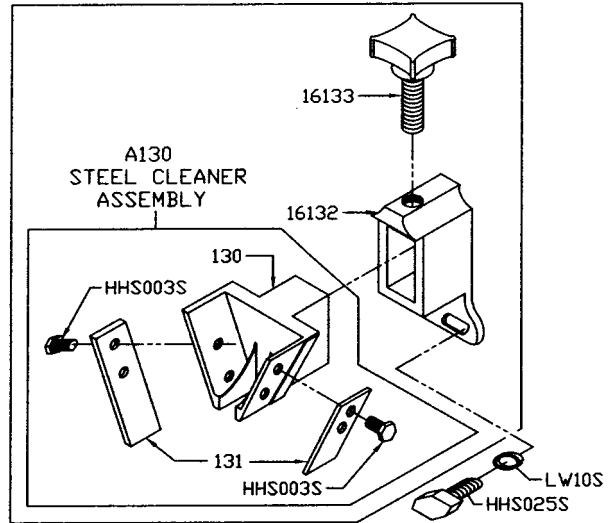
Item No.	Description
A116-27	Saw guide bar assembly, 27"
A18211	Finger lift assembly, removable
A602	Saw guide assembly, upper
FW05S	Flat washer, 1/4, SS
HHS015S	Hex head screw, 10-32 x 7/8, SS
HHS020S	Hex head screw, 1/4-20 x 3/8, SS
HHS083S	Hex head screw 3/8-16 x 1 3/4, SS
HN10S	Hex nut, 10-32, SS
LH662	Saw guard for true left head
LW05S	Lock washer, #10, SS
LW10S	Lock washer, 1/4, SS
RHS10S	Round head screw, 10-32 x 3/4, SS
RHS30S	Round head screw, 1/4-20 x 3/8, SS
S200B1	Stop stud on guide bar
116-27	Saw guide bar, 27"
17211-22	Finger lift shim, .022
17211-35	Finger lift shim, .035
193	Saw guide bar spring
211	Finger lift bracket
211A-291Q	Fastener knob, 4 point
601	Upper saw guide bracket
602B	Upper saw guide
602AFSC	Upper saw guide, narrow, fish
662	Saw guard for stainless head, SS
663	Saw guard for aluminum head, SS
708	Decal "DANGER EXPOSED BLADE"

A415D OR AS415D  
STATIONARY BAR ASSEMBLY



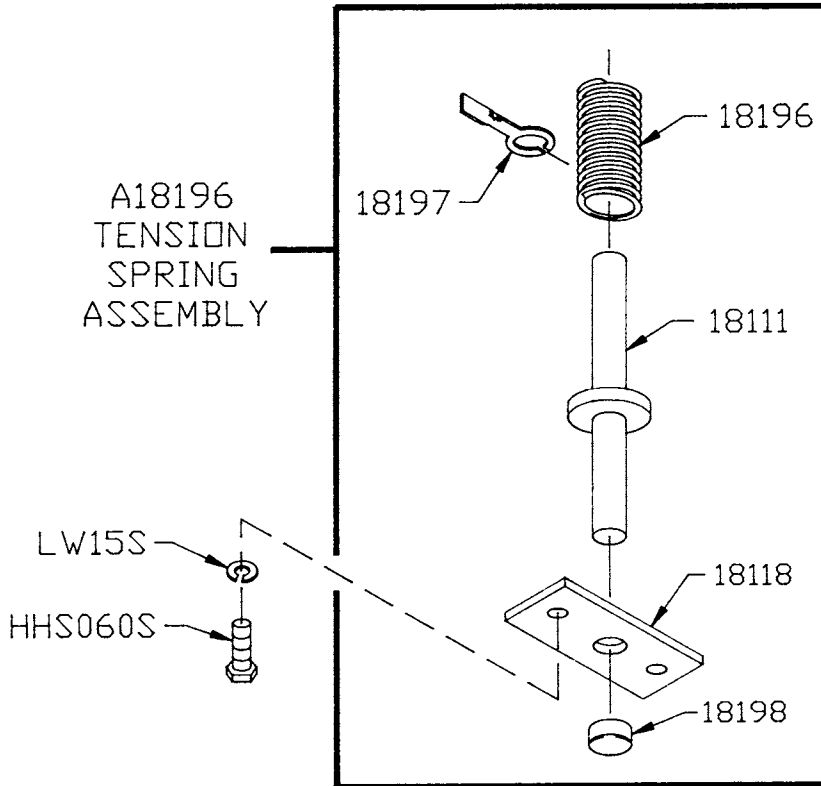
Item No.	Description
A415D	Stationary bar assembly
AS415D	SS Stationary bar assembly
HHS035S	Hex head screw, 1/4-20 x 3/8, SS
HN15S	Hex nut, 1/4-20, SS
LW10S	Lock washer, 1/4, SS
S268	Stationary bar headless screw
S415D	Stainless stationary bar
119A	Saw guide in stationary bar
119FSC	Saw guide in sta. bar, fish
177	Nylon filler
415D	Stationary bar

A16132 REAR STEEL CLEANER ASSEMBLY

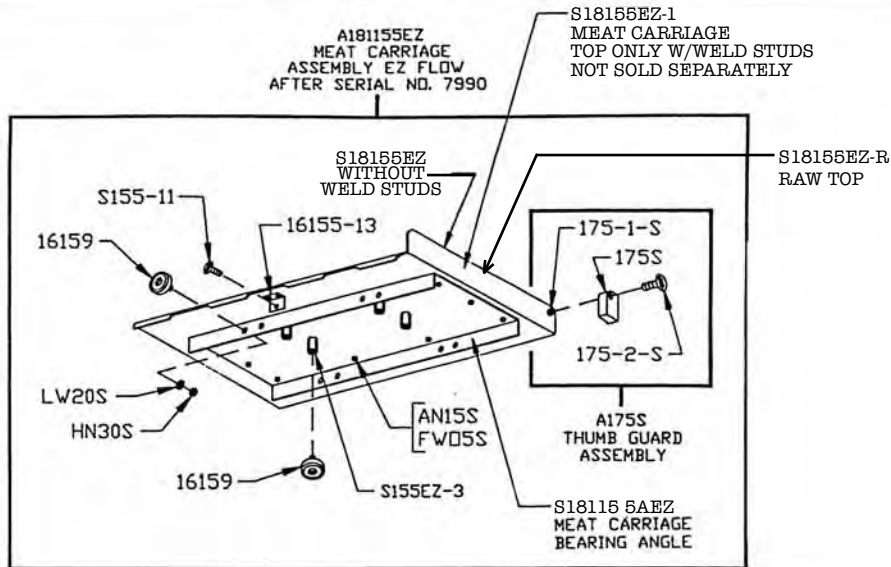


Item No.	Description
A130	Saw cleaner assembly
A16132	Steel cleaner assembly, rear
HHS003S	Hex head screw, 8-32 x 1/4, SS
HHS025S	Hex head screw, 1/4-20 x 1, SS
130	Saw cleaner bracket, rear
131	Saw cleaner, SS
16132	Saw cleaner bracket holder, rear
16133	Locking knob

A18196  
TENSION  
SPRING  
ASSEMBLY



Item No.	Description
A18196	Tension spring assembly
HHS060S	Hex head screw, 5/16-18 x 1, SS
LW15S	Lock washer, 5/16, SS
18111	Tension spring pin
18118	Tension spring plate
18196	Saw tension spring
18197	Tension spring gauge
18198	Cap for tension pin

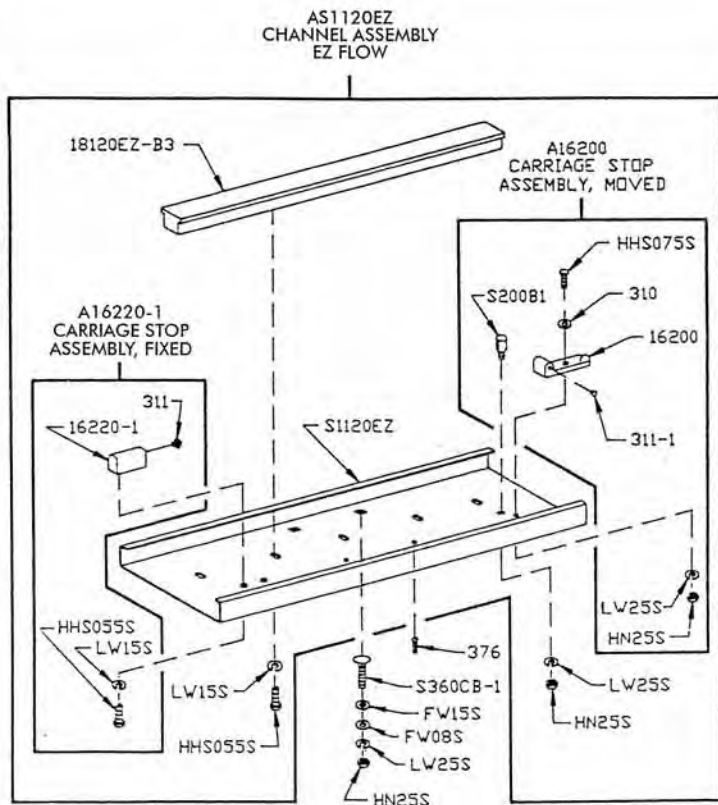


Item No.  
A175S  
A181155EZ  
AN15S  
FW05S  
HN30S  
LW20S  
S155-11  
S155EZ-1  
S155EZ-2

Description  
Thumb guard assembly  
Meat carriage assembly, EZ Flow  
Acorn nut, 1/4-20  
Flat washer, 1/4  
Hex nut, 3/8-16 light jam  
Lock washer, light  
Carriage stop thumb screw  
Weld stud - NSS  
Weld stud - NSS

Item No.  
S181155AEZ  
S18155EZ-1  
S18155EZ  
S18155EZ-R  
S155EZ-3  
16155-13  
16159  
175S  
175-1-S  
175-2-S

Description  
Carriage bearing angle plate  
Carriage top w/weld studs  
Carriage top without weld studs (DNS)  
Raw meat carriage top only (DNS)  
Hex stand-off  
Carriage top angle SS  
Carriage bearing  
Thumb guard  
Thumb guard nut  
Thumb screw 1/4-20 x 1/2

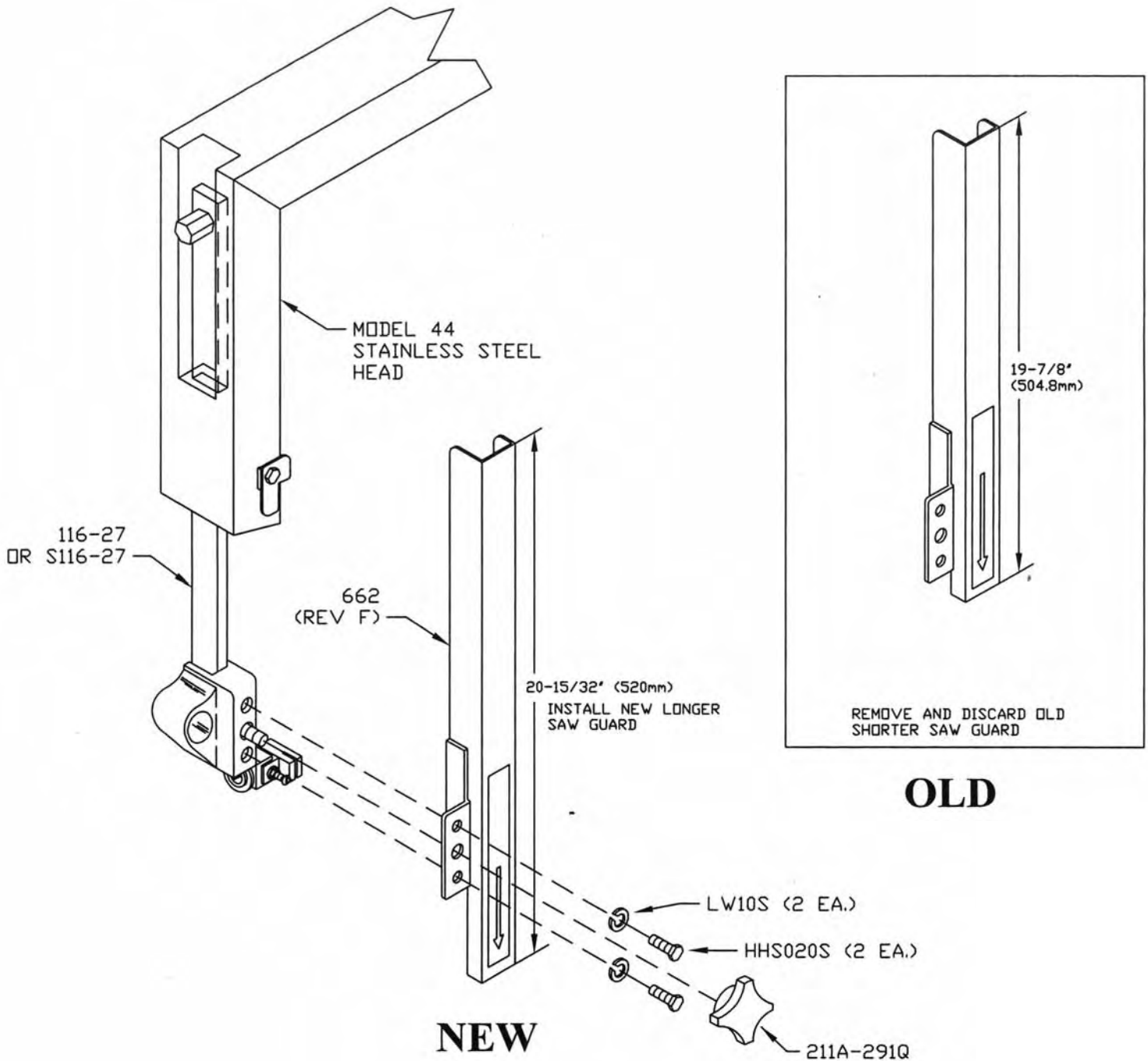


Item No.  
A16200  
A16220-1  
AS1120EZ  
FW08S  
FW15S  
HHS055S  
HHS075S  
HN20S  
HN25S  
LW15S  
LW25S  
S1120EZ  
S200B1  
S360CB-1  
16200  
16220-1  
18120EZ-B3  
310  
311  
311-1  
376

Description  
Carriage stop assembly, movable  
Carriage stop assembly, fixed  
Channel assembly, EZ flow  
Flat washer, 3/8, SS  
Flat washer, 1/2, SS  
Hex head screw, 5/16-18 x 3/4, SS  
Hex head screw, 3/8-16 x 1 1/4, SS  
Hex nut, 5/16-18, SS  
Hex nut 3/8-16, SS  
Lock washer, 5/16, SS  
Lock washer, 3/8, SS  
Channel, 38-1/2", SS  
Carriage stop stud, SS  
Carriage bolt, 3/8-16 x 1 1/4, SS  
Carriage stop only, movable  
Carriage stop only, fixed  
Guide bar, EZ flow, T-shaped  
Waved washer  
Rubber bumper for fixed stop  
Rubber bumper for movable stop  
Drive screw, 10 x 1/2, SS

# LONGER SAW GUARD KIT ITEM NO. 662K

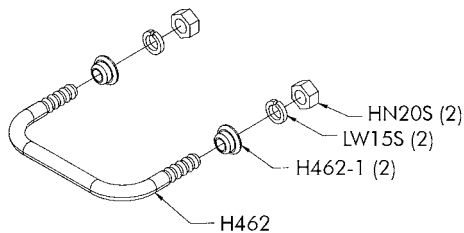
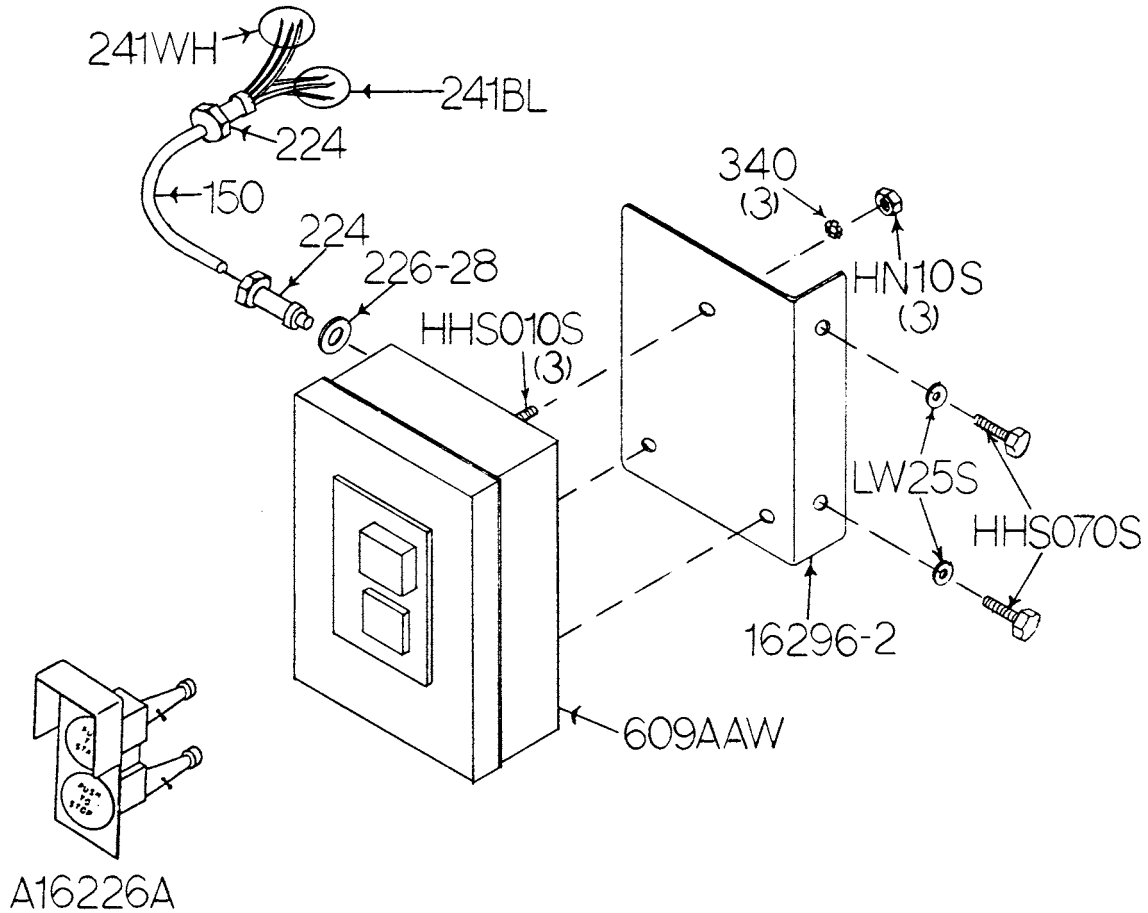
This longer guard is available for replacement as a kit on existing saws. Install the new guard with the 1/4" dia. screws supplied with Saw Guard Kit, Item No. 662K.





**- OPERATORS NOTES -**

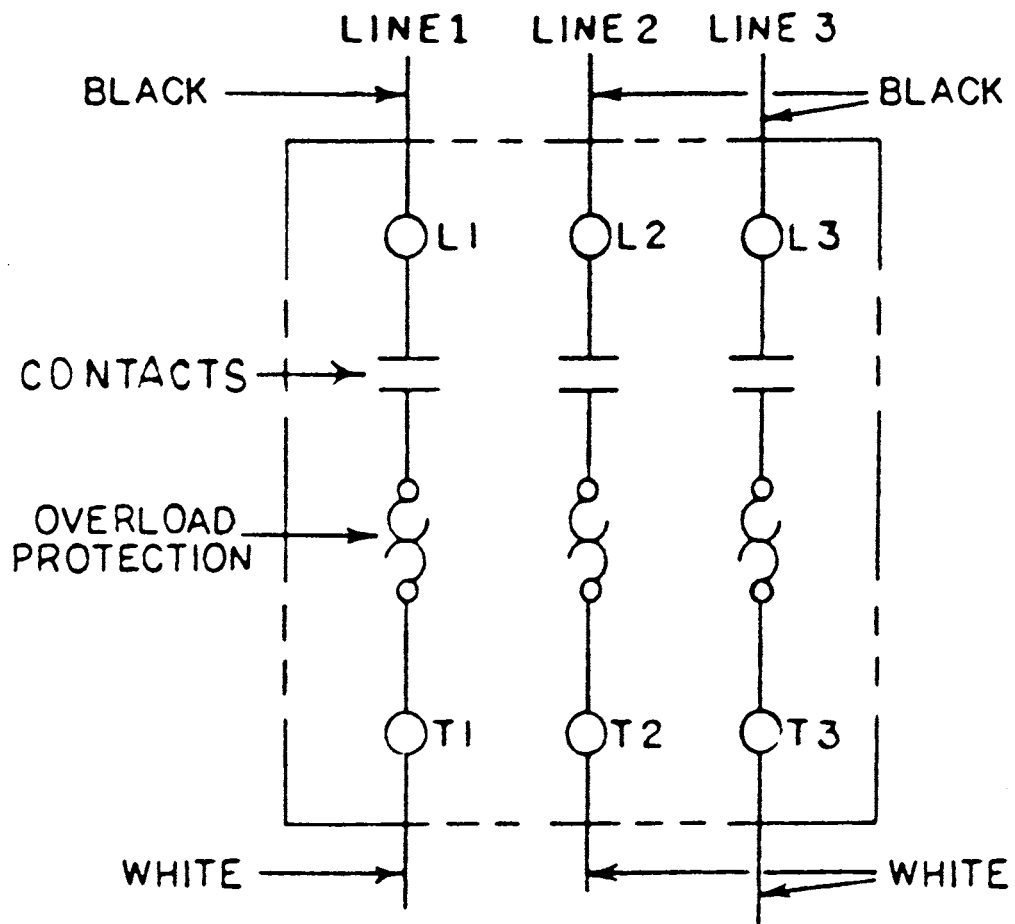
## A609AAW-18 SWITCH ASSEMBLY



**H462A**

Item No.	Description
A16226A	Green/red switch button assembly w/springs
A609AAW-16	Switch assembly, 1 & 3 ph less heater coils
H462A	Guard assembly for switch
HHS010S	Hex head screw, 10-32 x 3/8 SS
HHS070S	Hex head screw, 3/8-16 x 1 SS
HN10S	Hex nut, 10-32 SS
HN20S	Hex nut 5/16-18 SS
LW25S	Lock washer, 3/8 SS
16296-2	Switch bracket SS
150	Conduit, 1/2"
224	Conduit connector, 180°
226-28	Washer SS, 1/2 x 27/32
241BL	Wire, black, 12GA., CSA & UL
241WH	Wire, white, 12GA., CSA & UL
340	Star lock washer
609AAW	Manual switch, size 0, 1 & 3 ph

# 609AAW

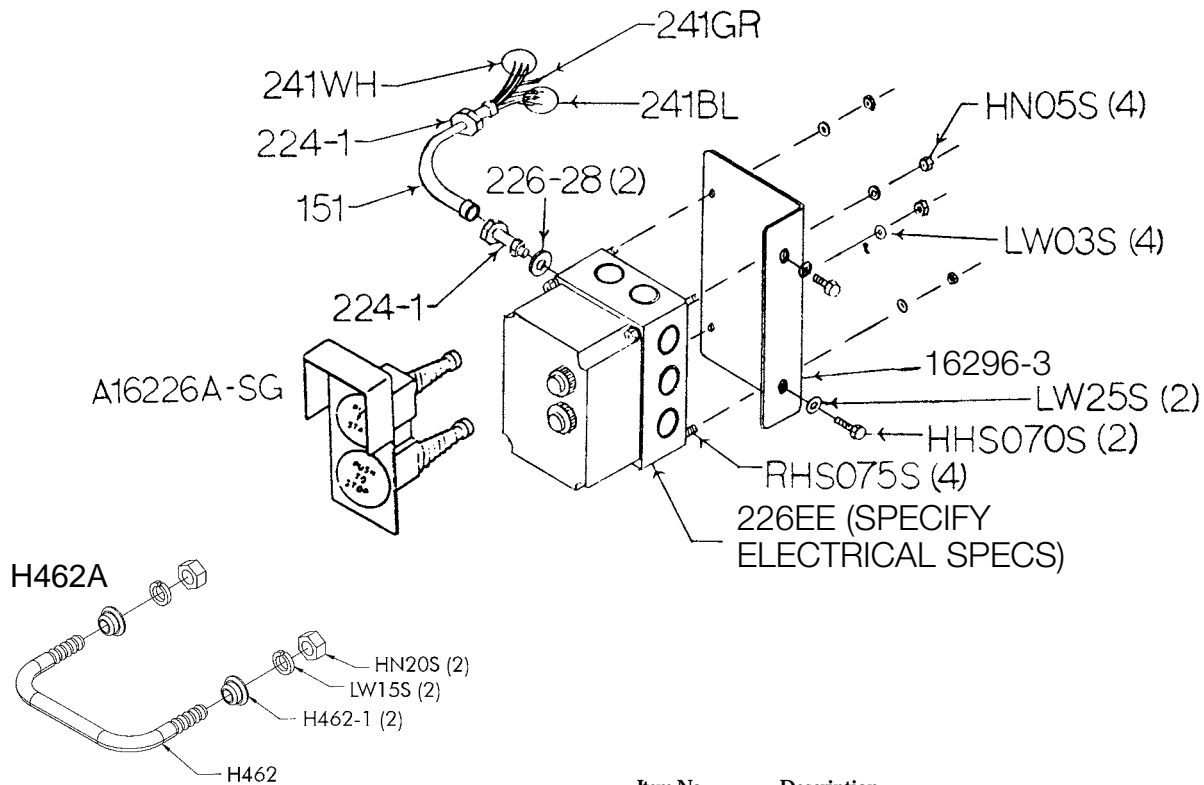


# WATERTIGHT MAGNETIC SWITCH ASSEMBLIES

## INCLUDES MOUNTING BRACKET AND WIRES

Item No.	Description	Application
A22618EE-522	BAEG/PC-PB/C14	3HP, 208-220-50/60-3
A22618EE-534	BAEG/MS-PB/05-E6.3	3HP, 440/460-60-3
A22618EE-536	BAEG/MS-PB/05-D8	3HP, 380/415-50-3
A22618EE-538	BAEG/MS-PB/05-F4.7	3HP, 550/575-60-3
A22618EE-540	BAEG/MS-PB/C18	5HP, 208/230-50/60-3
A22618EE-544	BAEG/MS-PB/05-E8	5HP, 440/460-60-3
A22618EE-546	BAEG/MS-PB/05-D14	5HP, 380/415-50-3
A22618EE-548	BAEG/MS-PB/05-F8	5HP, 550/575-60-3

### WATERTIGHT MAGNETIC SWITCH ASSEMBLY



Item No.	Description
A16226A-SG	GREEN/RED SWITCH BUTTON ASSEMBLY
H462A	GUARD ASSEMBLY FOR SWITCH
HHS070S	HEX HEAD SCREW, 3/8 - 16 x 1 SS
HN05S	HEX NUT, 8-32 SS
LW03S	LOCK WASHER, #8 SS
LW25S	LOCK WASHER, 3/8 HEAVY SS
RHS075S	ROUND HEAD SCREW, 8-32 x 3/4 SS
16296-3	SWITCH BRACKET SS, AEG/VYNCKIER ENCLOSURE
151	WATERTIGHT CONDUIT
224-1	CONDUIT CONNECTOR, WT 180°
226EE-522	BAEG/MS-PB/05-C14 3HP 230-50/60-3
226EE-522K	CONTACTOR, OVERLOAD, SUBPLATE REPLCMNT 220V, 3PH, 3HP
226EE-534	BAEG/MS-PB/05-E6.3 3HP 440-60-3
226EE-534K	CONTACTOR, OVERLOAD, SUBPLATE REPLCMNT 440V, 3PH, 3HP
226EE-536	BAEG/MS-PB/05-D8 3HP, 380-50-3
226EE-536K	CONTACTOR, OVERLOAD, SUBPLATE REPLCMNT 380V, 3PH, 3HP
226EE-538	BAEG/PC-PB/05-F4.7 3HP 550-60-3
226EE-538K	CONTACTOR, OVERLOAD, SUBPLATE REPLCMNT 550V, 3PH, 3HP
226EE-539	BAEG/PC-PB/05-A4.7 3HP 550-110-60-3
226EE-540	BAEG/MS-PB/C18 5HP 220-60-3
226EE-540K	CONTACTOR, OVERLOAD, SUBPLATE REPLCMNT 220V, 3PH, 5HP
226EE-544	BAEG/MS-PB/05-E8 5HP 440-60-3
226EE-544K	CONTACTOR, OVERLOAD, SUBPLATE REPLCMNT 440V, 3PH, 5HP

Item No.	Description
226EE-546	BAEG/MS-PB/D14 5HP 380/415-50-3
226EE-546K	CONTACTOR, OVERLOAD, SUBPLATE REPLCMNT 380V, 3PH, 5HP
226EE-548	BAEG/MS-PB/05-F8 5HP, 550-60-3
226EE-548K	CONTACTOR, OVERLOAD, SUBPLATE REPLCMNT 550V, 3PH, 5HP
226EE-CO	CONTACTOR, LS05.10-CO, 208-230V
226EE-CO11K	CONTACTOR, LS11K.11S-CO, 208-230V
226EE-DO	CONTACTOR, LS05.10-DO, 380-415V
226EE-ENCL-PB30	ENCLOSURE WITH PUSHBUTTON 30MM HOLES
226EE-EO	CONTACTOR, LS05.10-EO 440-480V
226EE-EO11K	CONTACTOR, LS11K.11S-EO 480V, 60HZ-380V, 50HZ
226EE-FO	CONTACTOR, LS05.10-FO, 550V
226EE-FO11K	CONTACTOR, LS11K.11S-FO, 575V
226EE-OL06.3K	OVERLOAD B05-K, 4-6.3A
226EE-OL08.5L	OVERLOAD B18K-L, 5.5-8.5A
226EE-OL08L	OVERLOAD B05-L, 5.5-8A
226EE-OL12M	OVERLOAD B18K-M, 8-12A
226EE-OL14NN	OVERLOAD B05-NN, 10-14A
226EE-OL18O	OVERLOAD B18K-O, 14.5-18A
226EE-OL4I	OVERLOAD B18K-I, 2.5-4A
H28IEE-51	OVERLOAD B18K, 4-6.3A
226-28	WASHER, 1 1/2 x 27/32 SS
241BL	WIRE, BLACK 12 GA., CSA & UL
241GR	WIRE, GREEN, 12GA., CSA & UL
241RD	WIRE, RED, 12 GA., CSA & UL
241WH	WIRE, WHITE 12 GA., CSA & UL



**WEARABLE SAW PARTS THAT WILL FIT BIRO POWER CUTTERS  
MODELS**

**11-22-1433-33-34-3334-44-4436-55**

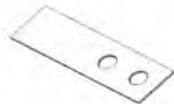
**— EXCEPT WHERE NOTED OTHERWISE —**

**CONTACT YOUR NEAREST BIRO AUTHORIZED DISTRIBUTOR  
OR CONTACT BIRO MANUFACTURING**

**PH: 419-798-4451 E-Mail: [service@birosaw.com](mailto:service@birosaw.com)**



**Item No. 130  
SAW CLEANER BRACKET  
ALL SAWS**



**Item No. 131  
STEEL BLADE CLEANER  
ALL SAWS**



**Item No. 159  
CARRIAGE BEARING  
11-22-33**



**Item No. 16159  
CARRIAGE BEARING  
1433-34-3334-44-55**



**Item No. 601  
UPPER SAW GUIDE BRACKET  
ALL SAWS**



**Item No. 602B  
UPPER SAW GUIDE  
W/BEVELED CARBIDE  
ALL SAWS**



**Item No. S265  
MEAT GAUGE SPRING  
ALL SAWS**



**Item No. S608  
LOWER BLADE BACKUP  
W/CARBIDE  
22 (after S/N 35301)-1433-55**



**Item No. 119A  
LOWER SAW GUIDE  
ALL SAWS**



**Item No. 177  
NYLON FILLER  
ALL SAWS**



**Item No. 604  
LOWER BLADE BACKUP  
W/CARBIDE  
11-22 (before S/N 35300)**



**Item No. 605  
LOWER BLADE BACKUP  
W/CARBIDE  
34-3334-44-4436**



**Item No. S295  
WHEEL CLEANER ARM  
ALL SAWS**



**Item No. 179  
WHEEL CLEANER  
ALL SAWS**



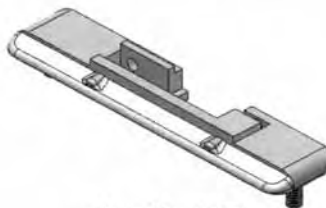
**Item No. S244  
WHEEL CLEANER ARM STUD  
ALL SAWS**



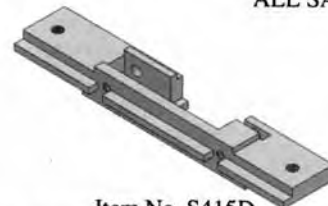
**Item No. S229  
WHEEL CLEANER  
ARM SPRING  
ALL SAWS**



**Item No. S268  
FILLER & GUIDE STUD  
ALL SAWS**



**Item No. 415D  
STATIONARY BAR  
ALL SAWS**



**Item No. S415D  
STAINLESS STATIONARY BAR  
STD: 22 (after S/N 35301)-1433-55  
OPT: 3334-44**

**— USE PARTS REPAIR KIT PART NO. 16700 —**

# MODEL 44 PARTS NUMBERS AND DESCRIPTIONS

## SEND IN MODEL NO. AND SERIAL NO. WHEN ORDERING PARTS

MOTOR SECTION		Item No.	Description
Item No.	Description		
M79-G56111-U	Motor, 3HP, 208/220/440-50/60-3 open	S240	Ratchet trigger spring, SS
M88-G56215-U	Motor, 5HP, 220/440-60-3 moisture resistant	S244	Wheel cleaner arm stud, SS
M89-G56214-U	Motor, 5HP, 575-60-3 moisture resistant	S262	Meat gauge release handle, SS
Item No.	Description	S265	Meat gauge release spring, SS
AN15S	Acorn nut, 1/4-20, SS	S268	Stationary bar headless screw, SS
FHS20S	Flat head screw, 10-32 x 1/2, SS	S290	Cleaning unit stamping, SS
FW05S	Flat washer, 1/4, SS	S295	Wheel cleaner arm, SS
FW07S	Flat washer, 3/8, SS	S325	Wheel cleaner washer, SS
FW08S	Flat washer, 3/8, SS	S360CB-1	Carriage bolt, 3/8-16 x 1 1/4, SS
FW10S	Flat washer, 5/16, SS	S415D	Stainless stationary bar
FW15S	Flat washer, 1/2, SS	S416	Platter locator weld pin, SS
HHS003S	Hex head screw, 8-32 x 1/4 trim hd, SS	10A	Ratchet arm taper pin
HHS005S	Hex head screw, 8-32 x 1/2, SS	11	Ratchet trigger, ORDER S11
HHS010S	Hex head screw, 10-32 x 3/8, SS	112-212	Waved washer, 2 1/64 x 5/8
HHS015S	Hex head screw, 10-32 x 7/8, SS	116-27	Saw guide bar, 27"
HHS020S	Hex head screw, 1/4-20 x 5/8, SS	119A	Saw guide in stationary bar
HHS025S	Hex head screw, 1/4-20 x 1, SS	119FSC	Saw guide in sta. bar, fish
HHS035S	Hex head screw, 1/4-20 x 5/8, SS	120E	Flat head screw, 5/16-18 x 2, SS
HHS040S	Hex head screw, 1/4-20 x 3/4, SS	130	Saw cleaner bracket, rear
HHS049NL	Hex screw - nylon 5/16-18 x 1/2 lg.	131	Saw cleaner, SS
HHS055S	Hex head screw, 5/16-18 x 3/4, SS	14TH	Head door hinge, welded
HHS058S	Hex head screw, 5/16-18 x 7/8, SS	14TP	Hinge pin, long, 1 1/2"
HHS060S	Hex head screw, 5/16-18 x 1, SS	14TP-1	Hinge pin, short, 1 1/4"
HHS070S	Hex head screw, 3/8-16 x 1, SS	16Z	Lower guide bracket saw cleaner holder
HHS075S	Hex head screw, 3/8-16 x 1, SS	16112	Head door latch
HN05S	Hex nut, 8-32, SS	16132	Saw cleaner brkt. holder, rear
HN10S	Hex nut, 10-32, SS	16155-13	Meat carriage stop angle
HN15S	Hex nut, 1/4-20, SS	16155-2A	Meat carriage guide, prior to EZ flow
HN20S	Hex nut, 5/16-18, SS	16155-2B	Carriage guide spacer, 1/64"
HN25S	Hex nut, 3/8-16, SS	16115-2C	Carriage guide spacer, 1/32"
HN30S	Hex nut, 3/8-16 light jam, SS	16159	Meat carriage bearing, SS
HN35S	Hex nut, 3/8-16 heavy jam, SS	16200	Carriage stop only, movable
HN40S	Hex nut, 1/2-13 heavy jam, SS	16220-1	Carriage stop only, fixed
LH662	Saw guard for true left SS head	16296-2	Switch mtg. bracket, SS
LW05S	Lock washer, #10, SS	163A	Platter rod clip
LW10S	Lock washer, 1/4, SS	17211-22	Finger lift shim, .022"
LW15S	Lock washer, 5/16, SS	17211-35	Finger lift shim, .035"
LW20S	Lock washer, 3/8 light, SS	175-1-S	Thumb guard nut, SS
LW25S	Lock washer, 3/8 heavy, SS	175-2-S	Thumb screw, 1/4-20 x 1/2
RHS10S	Round head screw, 10-32 x 3/4, SS	175S	Thumb guard, nylon
RHS20S	Round head screw, 10-32 x 1 1/4, SS	177	Sta. bar nylon filler
RHS30S	Round head screw, 1/4-20 x 7/8, SS	179	Wheel cleaner
SSS15	Set screw, 5/16-18 x 5/16 cup point	18001	Upper bearing spacer, prior to snap ring spacers
SSS20	Set screw, 3/8-16 x 3/8 cup point	18003	Lower wheel, 18"
S1007	Channel bracket, SS, #3850 on	18003U	Upper wheel w/snap rings, 18"
S11	Ratchet trigger, SS	18005	Head, aluminum, ORDER AS18005
S1120	Order S1120EZ	18006	Head door, aluminum, ORDER A18006
S1120EZ	Channel, #3850 on, SS	18007	Channel bracket to #3849
S155-11	Meat carriage stop thumb screw, SS	18010	Ratchet arm
S155B	Meat carriage stop angle, welded	18019	Ratchet base
S163F	Platter spacer weld button, SS	18111	Tension spring pin
S18005	SS head, ORDER AS18005	181155	Meat carriage, #3850 to #7989 ORDER 181155EZ-RPL
S18006	SS head door, ORDER AS18006	18118	Tension spring plate
S18007	Channel bracket, SS, to #3850	18120B1	Carriage guide bar, to #3849
S18007AL	Channel bracket filler plate, left, SS	18120B2	Carriage guide bar spacer, to #3849
S18007AR	Channel bracket filler plate, right, SS	18120EZ-B3	Guide bar, EZ flow, T-shaped, #7990
S18120	Channel, box type, SS, to #3850	18154	Table extension
S181155EZ	Meat carriage top & angle, EZ flow	18155-OS	Meat carriage top & angle, to #3849
S18189	Ratchet arm stud, SS	18163B	Platter neck guard
S18217L	Base door, left, SS, #2051 on	18163L	Platter spacer channel strip, SS
S18217R	Base door, right, SS, #2051 on	18196	Saw tension spring
S18239	Base, SS, NOT SOLD	18197	Tension spring gauge
S18253	Upper wheel aligning screw, SS	18198	Cap for tension pin
S200B1	Stop stud gde bar & crg. stop, SS	18212W	Platter rod
S217C	Base door hinge pin long, SS	18230DL	Upper shaft seal, double lip
S217E	Base door hinge pin short, SS	18231DL	Lower shaft seal, double lip
S229	Wheel cleaner arm spring, SS	18232	Scrap bucket
S235	Taper pin, 4 x 3/4, SS	18247	Upper shaft
S239-B30	Base foot, SS, welded		
S239-B41	Hex Leg 7/8-9x3 SS S/N 8125 ON		
S239-B42	Base Foot 2" DIA. S/N 8125 ON		

<b>Item No.</b>	<b>Description</b>	<b>Item No.</b>	<b>Description</b>
18248	Upper wheel hub cap	270	Meat gauge release pin
18251AL	Upper v-belt pulley, 12.8 × 1 $\frac{1}{8}$ "	271AL	Meat gauge worm gear
18252	Upper shaft lock nut	272-6-S	Meat gauge wing nut
18260	Slide gib, aluminum	272-7-1	Lock knob, $\frac{5}{16}$ -18, 3 point
18272	Meat gauge gear rack	272-8	Cap nut, $\frac{5}{16}$ -18, SS
18273	Meat gauge bracket, ORDER A18273	272-9	Hex head screw, $\frac{5}{16}$ -18 × 2, SS
18275	Meat gauge arm	272-12	Brass ball, $\frac{7}{32}$ dia.
18275-5	Meat gauge plate, SS	272-13	Hex head bolt, $\frac{5}{16}$ -18 × 1 $\frac{1}{4}$ , SS
18280	Motor shaft key	272-14	Castle nut, $\frac{5}{16}$ -18, SS
18300	Lower shaft woodruff key	275THS	Truss head screw, $\frac{1}{4}$ -20 × $\frac{3}{8}$
18301	Model & S/N plate, S/N required	275THS-1	Truss head screw, $\frac{1}{4}$ -20 × 1
18302	Saw blade, 135", 420	277	Lower shaft key
18302HT	Saw blade, 135", 322 hard tooth	290-7	Cleaning unit locator
18305	Saw guide bar stop in head, to #4511	290-8	Cleaning unit locator washer
18308	Babbitt pocket shield, to #4511	290-8K	Cleaning unit locator kit
18311	Bumper for stops, to #3850	296-3	Switch bracket – external mount
18313-105	Operating and Parts Manual	299L	Saw guide bar stop, long, to #4510
18335X	Upper wheel hinge plate	310	Waved washer
18360	Lower bearing housing	311	Bumper for fixed carriage stop
18361	Lower shaft	311-1	Bumper for movable carriage stop
19CB	Ratchet base carriage bolt, $\frac{1}{4}$ -20 × $\frac{3}{4}$ , SS	324A	Motor shim, $\frac{1}{8}$ "
193	Saw guide bar spring	340	Star external lock washer
211	Finger lift bracket	360A1	Grease fitting
211A-291Q	Finger lift fastener knob, 4 point, plastic	360B	Set screw, $\frac{3}{8}$ -16 × $\frac{1}{2}$ , flat point
211D	Finger lift fastener stud, $\frac{3}{8}$ -16 × 1 $\frac{3}{4}$ , SS	360B-1	Set screw, $\frac{1}{2}$ -13 × $\frac{1}{2}$ , flat point
212CP	Platter rod cotter pin	362	Lower bearing housing adjusting cap
221-	V-belt *ADVISE SIZE*	375	Drive screw for name plate
228-2	Lower guide washer	376	Drive screw, 10 × $\frac{1}{2}$ , SS
234	Grease fitting for upper wheel	4-40AL	Motor pulley, 5 × 1, 60 cycle
237	Upper shaft castellated lock nut	4-50AL	Motor pulley, 6 × 1, 50 cycle
238	Upper shaft castellated lock washer	415D	Stationary bar
239-B30-1	Base foot, carbon, ORDER AS239-B30-B	512	Upper wheel hub gasket
239-B31-2	Pipe leg, 6", aluminum	531	Upper wheel snap ring
239-B32-AR	Pipe leg cap	601	Upper saw guide bracket
240	Ratchet trigger spring, ORDER S240	602B	Upper saw guide
242R	Base door lock, right	602AFSC	Upper saw guide, narrow, fish
247A	Upper shaft washer	605	Lower blade back-up guide
249	Base door handle	661-1	Saw guard on head door, to #4510
252X	Shaft lock nut	662	Saw guard w/708 for Stainless head, SS
256P	Safety end cut pusher plate, composition	663	Saw guard w/708 for Aluminum head, SS
256PM	Safety end cut pusher plate, aluminum	671	Wall poster, "BANDSAW SAFETY GUIDELINES"
264-1	Meat gauge hand wheel	708	Decal "DANGER EXPOSED BLADE"
264G	Meat gauge hand wheel groove pin	71-2	Upper wheel hinge bracket
265	Meat gauge release spring, ORDER S265		
267	Meat gauge release cotter key		

## COMPLETE ASSEMBLIES FOR MODEL 44

<b>Item No.</b>	<b>Description</b>	<b>Item No.</b>	<b>Description</b>
AS1120EZ	Channle assembly, EZ flow, SS	A16220-1	Carriage stop assembly, fixed
AS18005	Head & door assembly, SS	A16132	Saw cleaner assembly, rear
AS18006	Head door assembly, SS	A175S	Thumb guard assembly
AS290	Cleaning unit stamping assembly	A18003U	Upper wheel assembly w/o hinge plate
AS290-1	NOT SOLD AS ASSEMBLY	A18003U335	Upper wheel assembly w/hinge plate
AS415D	SS stationary bar assembly	A18006	Head door assembly, aluminum, to #4511
A112	Head door handle assembly, to #4511	A18019	Ratchet assembly
A116-27	Saw guide bar assembly, 27"	A181155	ORDER A18115EZ-RPL
A130	Saw cleaner assembly	A18115EZ	Meat carriage assembly, EZ flow, #7990 on
A16Z	Guide bracket saw cleaner assembly	A18115EZ-RPL	Meat carriage assembly, #3850 to #7989
A16112	Head door latch assembly, after #4511	A18155-OS	Meat carriage assembly, to #3850
A16200	Carriage stop assembly, movable	A18163	Stationary platter assembly

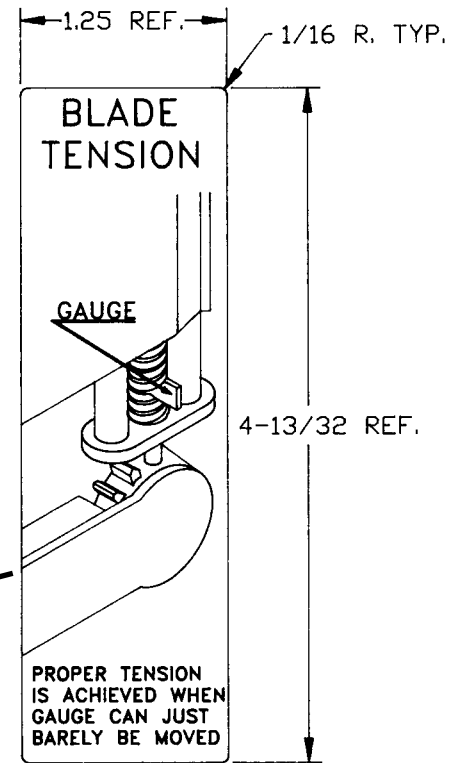


## WARNING LABEL LOCATIONS ON MACHINE

ALWAYS  
LOWER  
GUARD  
TO  
HEIGHT  
OF  
PRODUCT



**D**ANGER  
**E**XPOSED  
**B**LADE  
↓



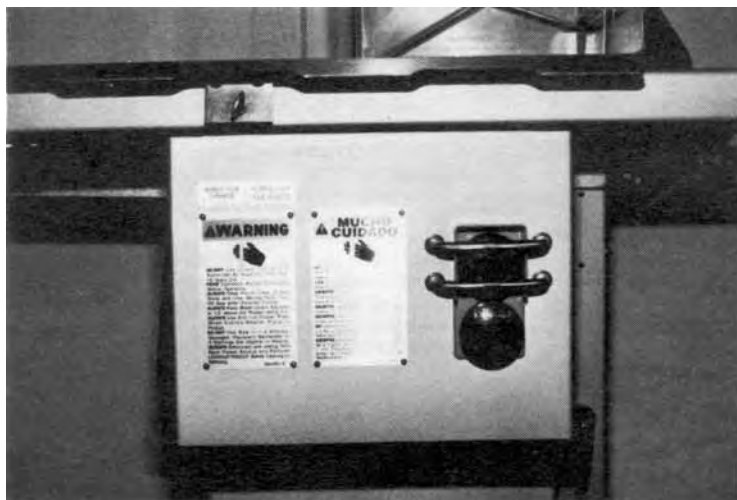
P/N 708 "DANGER EXPOSED BLADE" DECAL

ATTACHED TO SAW GUARD  
ON SAW GUIDE BAR

P/N 710 "BLADE TENSION" DECAL

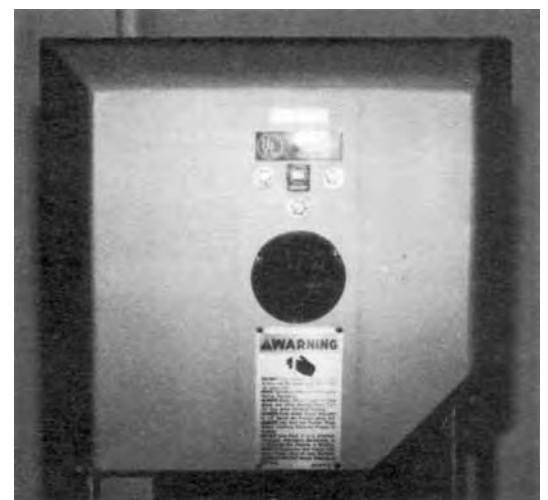
ATTACH TO HEAD  
DOOR AS SHOWN

## WARNING LABEL LOCATIONS ON MACHINE



ATTACH TO CHANNEL BRACKET NEXT TO  
SWITCH CONTROL BUTTONS

1 EA. 653PC-E  
1EA. 653PC-SP



ATTACH ON HEAD STRUCTURE BELOW  
MODEL/SERIAL NUMBER TAG

1 EA. 653PC-E

ITEM NUMBER 671

## WALL CHART "BAND SAW SAFETY GUIDELINES"

ATTACH TO WALL IN VICINITY OF MACHINE IN EASY VIEW OF OPERATOR



# WARNING

## ONLY PROPERLY TRAINED PERSONNEL SHOULD USE THIS EQUIPMENT

**This Saw Contains A Sharp Blade.  
To Reduce Risk of Injury:**

**1. Before Using, Make Sure:**

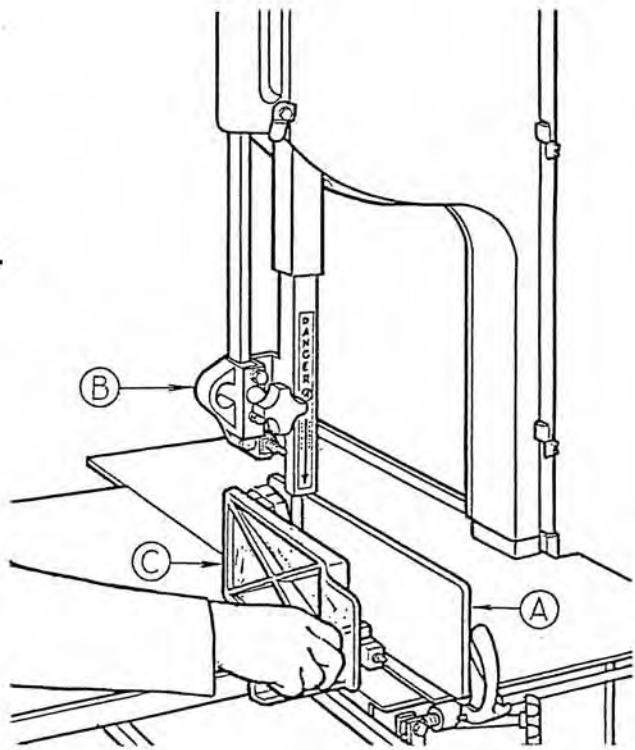
- Gauge Plate (A) And Other Components Are Secure.
- All Warning Labels And Guards Are In Place.
- The Guide Bar (B) Is Adjusted To  $\frac{1}{2}$  Inch Above The Product To Be Cut

**2. While Cutting:**

- Keep Hands and Fingers Away From Blade.
- Keep Product Securely Against Gauge Plate.
- Use End Cut Pusher (C) When Making Final Cuts. Item No. 256P.

**3. Before Cleaning:**

- Turn Off Power and Unplug.
- Remove Saw Blade.
- Use Extra Care When Handling The Saw Blade.



## USE YOUR MEAT SAW SAFELY!

SEE PARTS AND SERVICE MANUAL SUPPLIED WITH MACHINE FOR ADDITIONAL SAFETY INFORMATION.



## **LIMITED WARRANTY:**

**WARRANTY:** The BIRO Manufacturing Company warrants that Model 44 will be free from defects in material and workmanship under normal use and with recommended service. BIRO will replace defective parts, which are covered by this limited warranty, provided that the defective parts are authorized for return, shipping charges prepaid, to a designated factory for inspection and/or testing.

**DURATION OF WARRANTY:** The warranty period for all parts covered by this limited warranty is one (1) year from date of Inspection/Demonstration advised on the returned Warranty Registration card, or eighteen (18) months from original factory ship date, whichever occurs first, except as noted below.

**PARTS NOT COVERED BY WARRANTY:** The following are **not** covered by this limited warranty: wearable parts on the cleaning system such as wheel cleaners (Item No. 179), saw blade cleaners (Item No. 131), blade backup guides (Item No's. 602B, 605 and 119A), and the nylon filler (Item No. 177). This limited warranty does not apply to machines sold as used, rebuilt, modified, or altered from the original construction in which the machine was shipped from the factory. (WATER CONTAMINATED ELECTRICAL SYSTEMS ARE NOT COVERED UNDER THIS LIMITED WARRANTY.) BIRO is not responsible for electrical connection of equipment, adjustments to switch controls or any other electrical requirements, which must be performed only by a certified electrician. BIRO is not responsible for service charges or labor required to replace any part covered by this limited warranty or for any damages resulting from misuse, abuse, lack of proper or recommended service.

**EXCLUSION OF WARRANTIES AND LIMITATION OF REMEDIES:** BIRO gives no warranties other than those expressly stated in this limited warranty. THE IMPLIED WARRANTY OF MERCHANTABILITY, THE IMPLIED WARRANTY OF FITNESS FOR PROCESSING FOOD PRODUCTS, AND ALL OTHER IMPLIED WARRANTIES ARE SPECIFICALLY EXCLUDED. BIRO IS NOT LIABLE FOR CONSEQUENTIAL OR INCIDENTAL DAMAGES, EXPENSES, OR LOSSES. THE REMEDIES PROVIDED IN THIS BIRO LIMITED WARRANTY ARE PURCHASER'S SOLE AND EXCLUSIVE REMEDIES AGAINST BIRO.

**REGISTRATION CARDS:** You must sign, date and complete the warranty registration card supplied with each machine. The warranty card must be returned to The Biro Manufacturing Company for proper registration. If no warranty card is returned to BIRO, the warranty period will begin from the date the machine was originally shipped from the factory.

## **HOW TO GET SERVICE:**

1. Contact the agency from whom you purchased the machine; or
2. Consult the yellow pages of the phone directory for the nearest authorized dealer; or
3. Contact Biro Mfg. Company for the nearest authorized service entity (250 plus worldwide) in your area.

## **THE BIRO MANUFACTURING COMPANY**

1114 Main Street  
Marblehead, Ohio 43440-2099  
Ph. 419-798-4451  
Fax 419-798-9106  
E-mail: [Service@biro.saw.com](mailto:Service@biro.saw.com)  
Web: <http://www.birosaw.com>