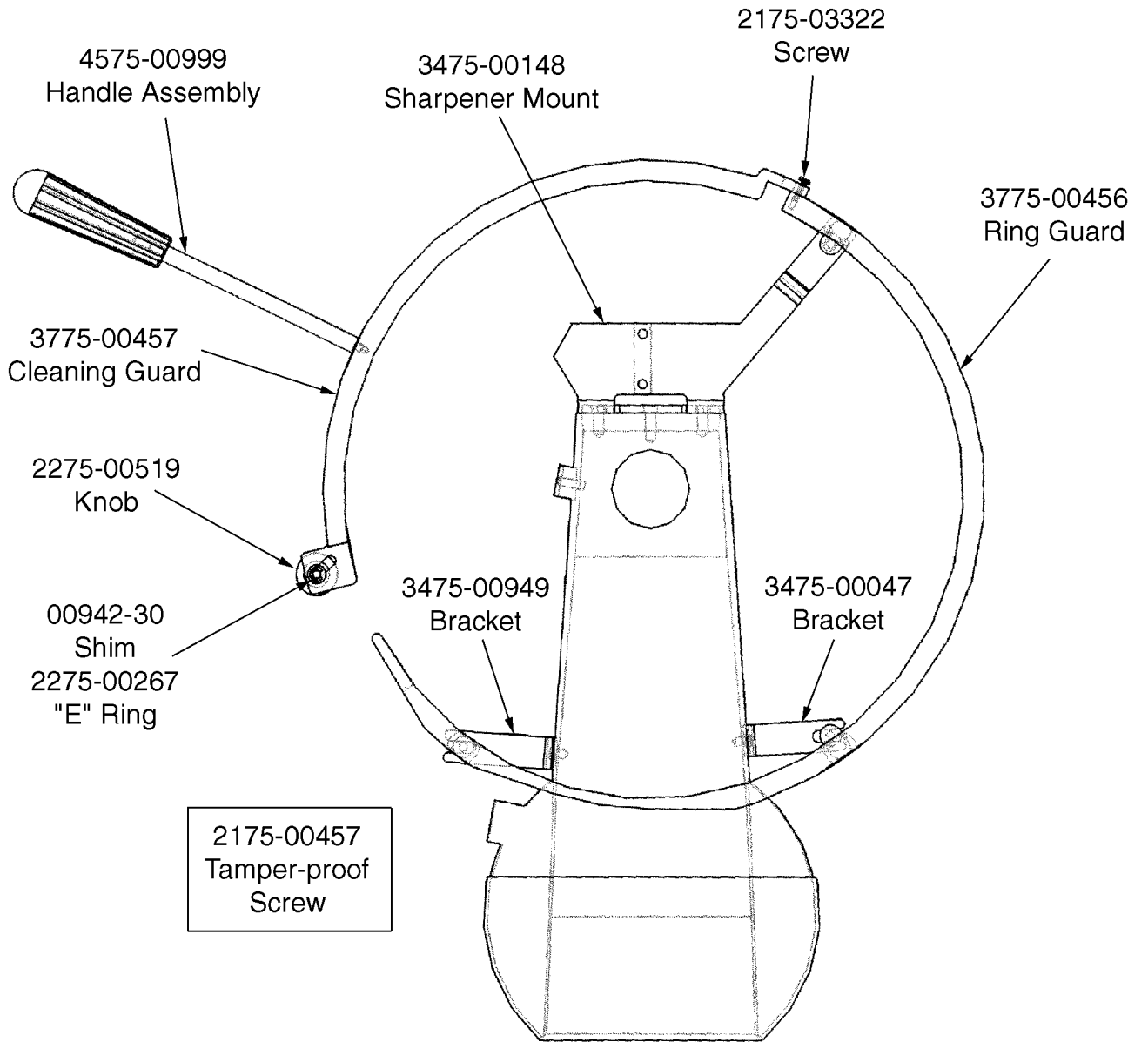
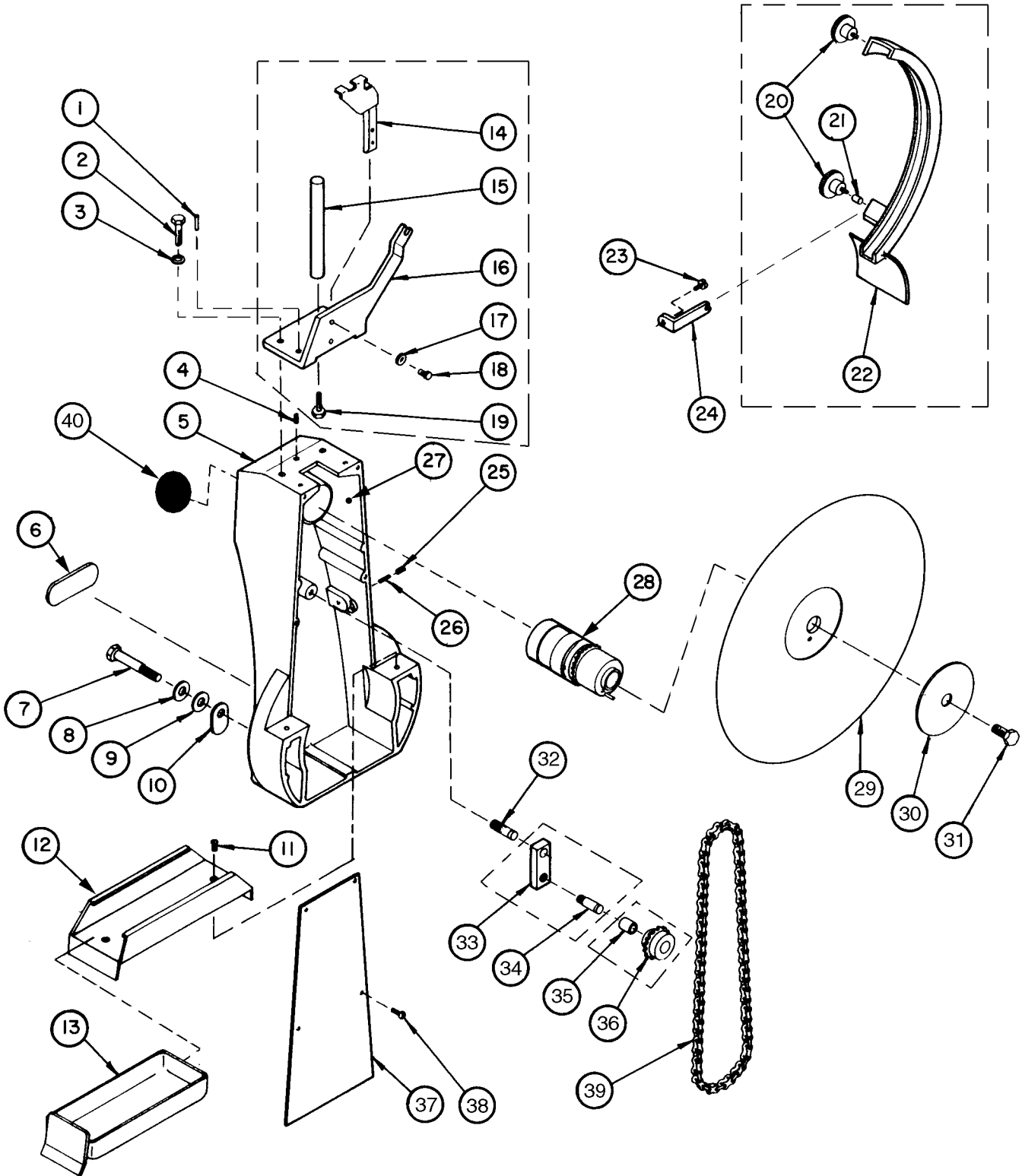


180 Cleaning Guard Assembly



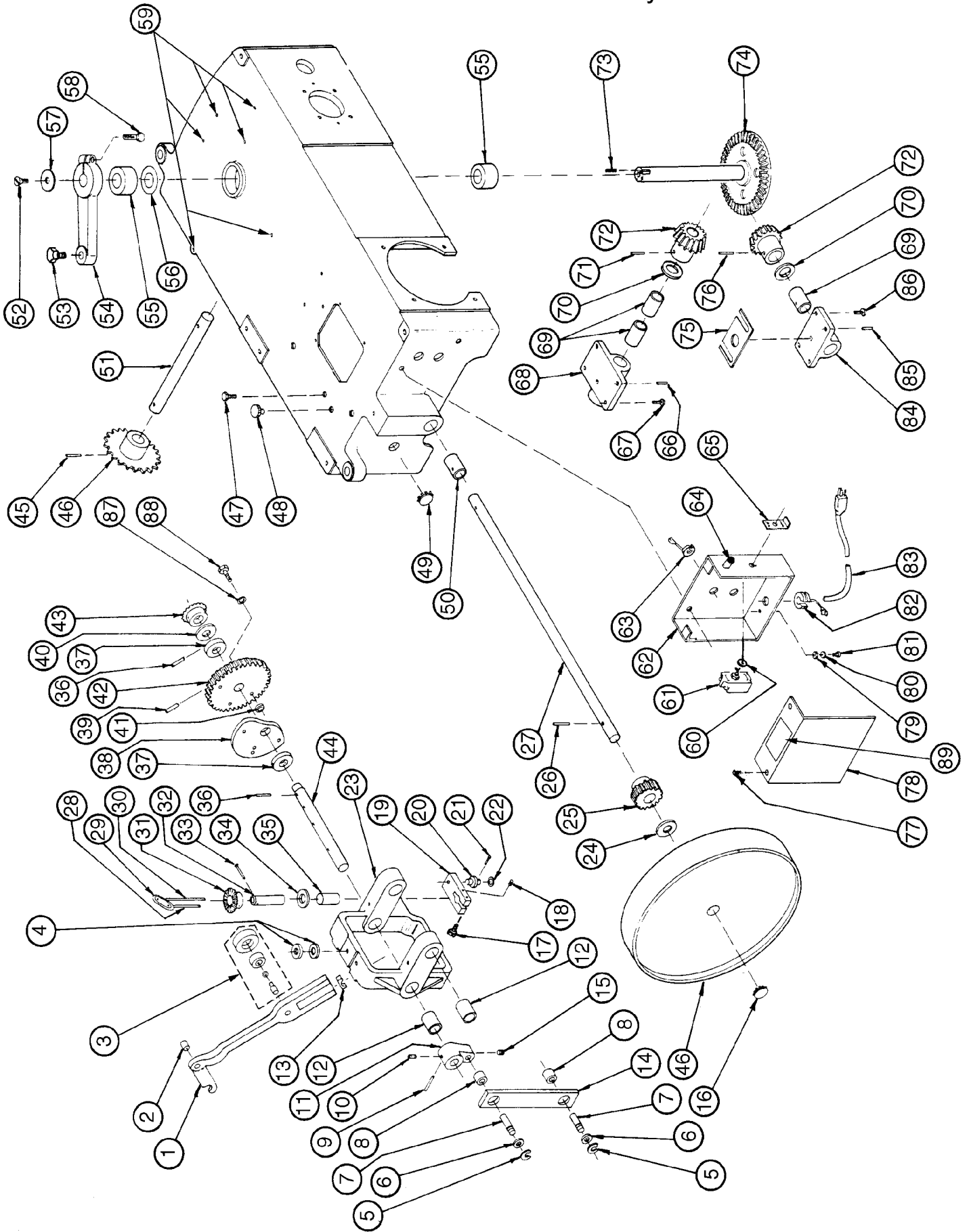
Chain Box and Knife



Chain Box and Knife

Item #	Description	Part Number
		180-D & GS
1	Groove pin	2275-03160
2	Hex cap screw	2175-03061
3	Washer	2275-03060
4	Setscrew	2175-07163
5	Chain box	4975-00355
6	Berkel logo	3175-00152
7	Hex cap screw	2175-03089
8	Washer	3275-00110
9	Fiber washer	12369
10	Special washer	260-25801
11	Screw	2175-03642
12	Scrap drawer guide	3475-00029
13	Scrap drawer	4575-00024
*	<i>Sharpener mount assembly</i>	<i>4675-00159</i>
14	Sharpener key release assy	4575-00039
15	Sharpener post	3375-00056
16	Sharpener mount	3475-00148
17	Washer	2275-03041
18	Screw	2175-03342
19	Screw	2175-03061
*	<i>Knife safe assembly</i>	<i>4675-00019</i>
20	Knob	2275-00006
21	Threaded insert	2275-00002
22	Knife safe	4675-00019
23	Screw	2175-03352
24	Knife safe bracket	3475-00047
25	Plug screw	346-25718
26	Setscrew	2175-07157
27	Oil cup	2475-00003
28	Knife bearing assembly	4375-00003
29	Knife, Carbon steel	3275-00007
	Knife, Stainless steel	3675-00085
	Knife, Special han	3675-00158
30	Knife washer	3475-00881
31	Knife bolt	3375-00049
32	Pin, knurled	3375-01124
*	<i>Idler pivot arm & shaft assembly</i>	<i>4575-00156</i>
33	Idler pivot arm	3575-00004
34	Idler shaft	3375-00033
*	<i>Idler sprocket assembly</i>	<i>4375-00004</i>
35	Bushing	3375-00318
36	Sprocket	4375-00004
37	Chain box cover	3475-00045
38	Screw	2175-03341
39	Chain	03003-5
40	Hole plug	2275-00440
*	<i>Assembly or Sub-Assembly</i>	

Frame and Drive Assembly

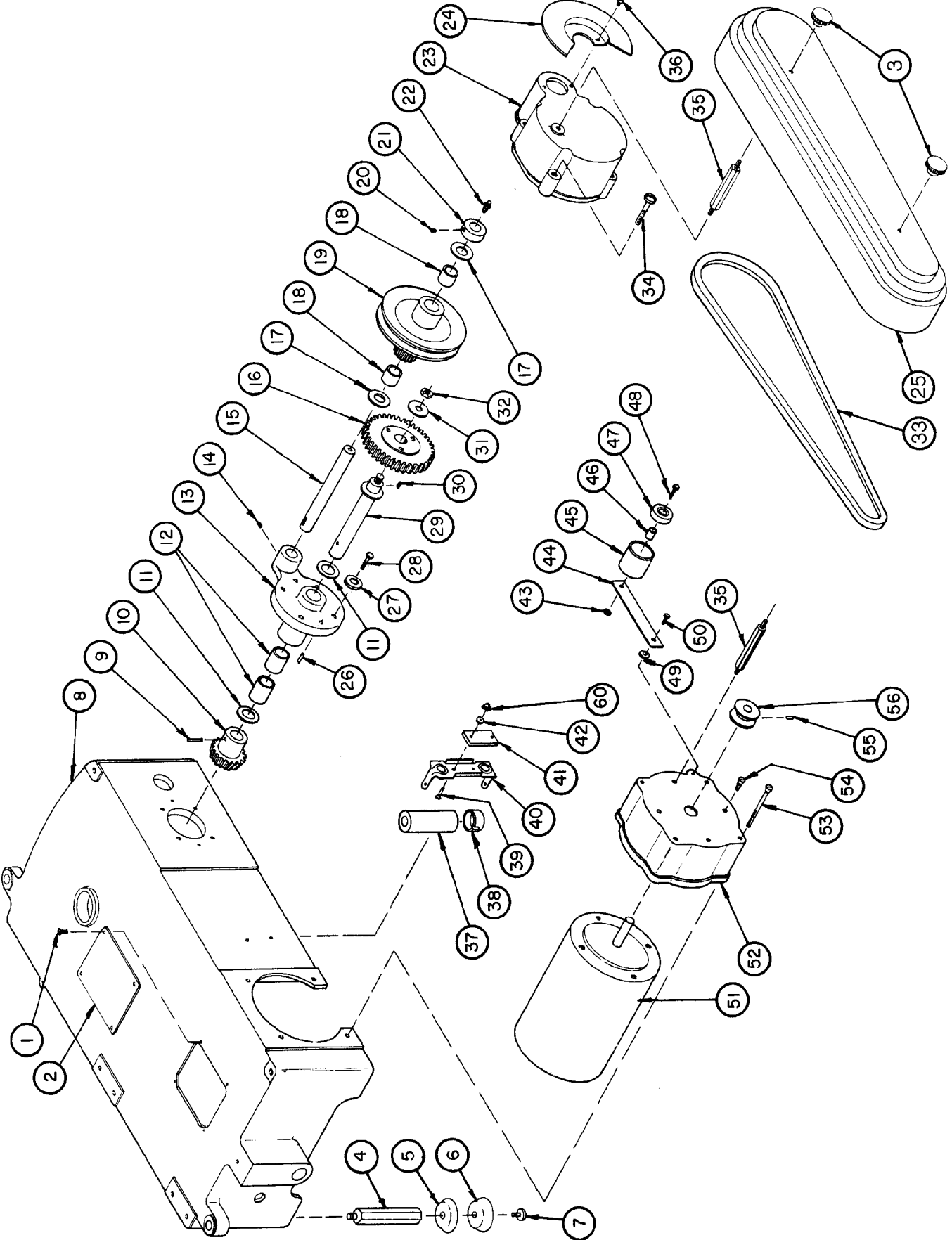


Frame and Drive Assembly

Item#	Description	Part Number
		180-D & GS
1	Cam Lever (items 1,2 and 3)	4675-00091
2	Bushing	06007-8E
3	Cam roller	A-06007-1C
4	Washer	2275-00401
5	Retaining ring	10224-S
6	Washer	2275-00401
7	Pivot pin	06140-9F
8	Bushing	06140-9H
9	Taper pin	2275-00195
10	Setscrew	2175-00198
11	Crank	3375-01266
12	Cam shaft bushing	06007-2H
13	Split bushing	06007-5
14	Connecting link assembly	A-06120-2G
15	Setscrew	2175-00198
16	Button	12199
17	Screw (180-D only)	2175-00203
18	Setscrew (180-D only)	2175-00187
19	Feed crank (180-D only)	06007-11
20	Feed crank pin (180-D only)	06007-10
21	Pin (180-D only)	2275-03430
22	Washer (180-D only)	2275-03051
23	Cam shaft bracket assembly	A-06007-A
24	Shim	09175-06
25	Gear with pin	4975-00095
26	Pin	2275-00163
27	Flywheel shaft assembly	4675-00020
28	Oil tube (180-D only)	06007-6A
29	Oil tube assembly (180-D only)	4575-00198
30	Oil tube (180-D only)	06007-6A
31	Bevel pinion gear (180-D only)	06007-11A
32	Crank shaft (180-D only)	06007-11
33	Pin (180-D only)	2275-03146
34	Shim (180-D only)	00949-06
35	Bushing (180-D only)	06007-11D
36	Roll pin	2275-03557
37	Cam shaft collar	06007-2A
38	Cam	06007-2K
39	Roll pin	2275-03557
40	Shim	09172-06
41	Shim	09463-60
42	Gear	3775-00336
43	Bevel pinion	06007-11A
44	Cam shaft 180-D	3375-00925
	Cam shaft 180-GS	3375-00926
45	Taper pin	2275-00164
46	Sprocket	4675-00020
47	Bolt	2175-01073
48	Oil cup	10241
49	Hole cover	10251
50	Bushing	03001-5N

Item#	Description	Part Number
		180-D & GS
51	Sprocket shaft assembly	4675-00020
52	Screw	10302
53	Bolt (left hand thread) old	10245
	Bolt (left hand thread) new	3375-00619
54	Crank for square key	3775-00292
55	Ball bearing	2375-00103
56	Nylon seal washer	3475-00373
57	Washer	3275-00109
58	Bolt	2175-03076
59	Grease fitting	2275-00132
60	Switch seal	2275-00060
61	Switch for 1 phase	2675-00045
	Switch for 3 phase	2675-00075
62	Switch box assembly	4575-00754
63	Heyco bushing	2675-00003
64	Pilot light	2675-00669
65	Switch guard	2675-00647
66	Pin	2275-00171
67	Bolt	09154
68	Flywheel shaft bearing	A-03001-F
69	Oilite bushing	03001-5J
70	Washer	09175-06
71	Taper pin	2275-00164
72	Bevel gear with pin	A-03001-B
73	Key	2275-04841
74	Crown gear for square key	4675-00429
75	Shim	3475-00074
76	Taper pin	2275-00164
77	Screw	2175-03441
78	Switch cover	3475-00263
79	Nut	2175-07030
80	Washer	2275-03035
81	Screw	2175-03431
82	Heyco bushing	2675-00070
83	Power cord	4175-00031
84	Split shaft bearing with bushing	A-03000-M
85	Pin	2275-00171
86	Bolt	2175-00181
87	Washer	2275-03055
88	Bolt	2175-00210
89	Warning Sticker	3175-00537

Frame and Motor Assembly

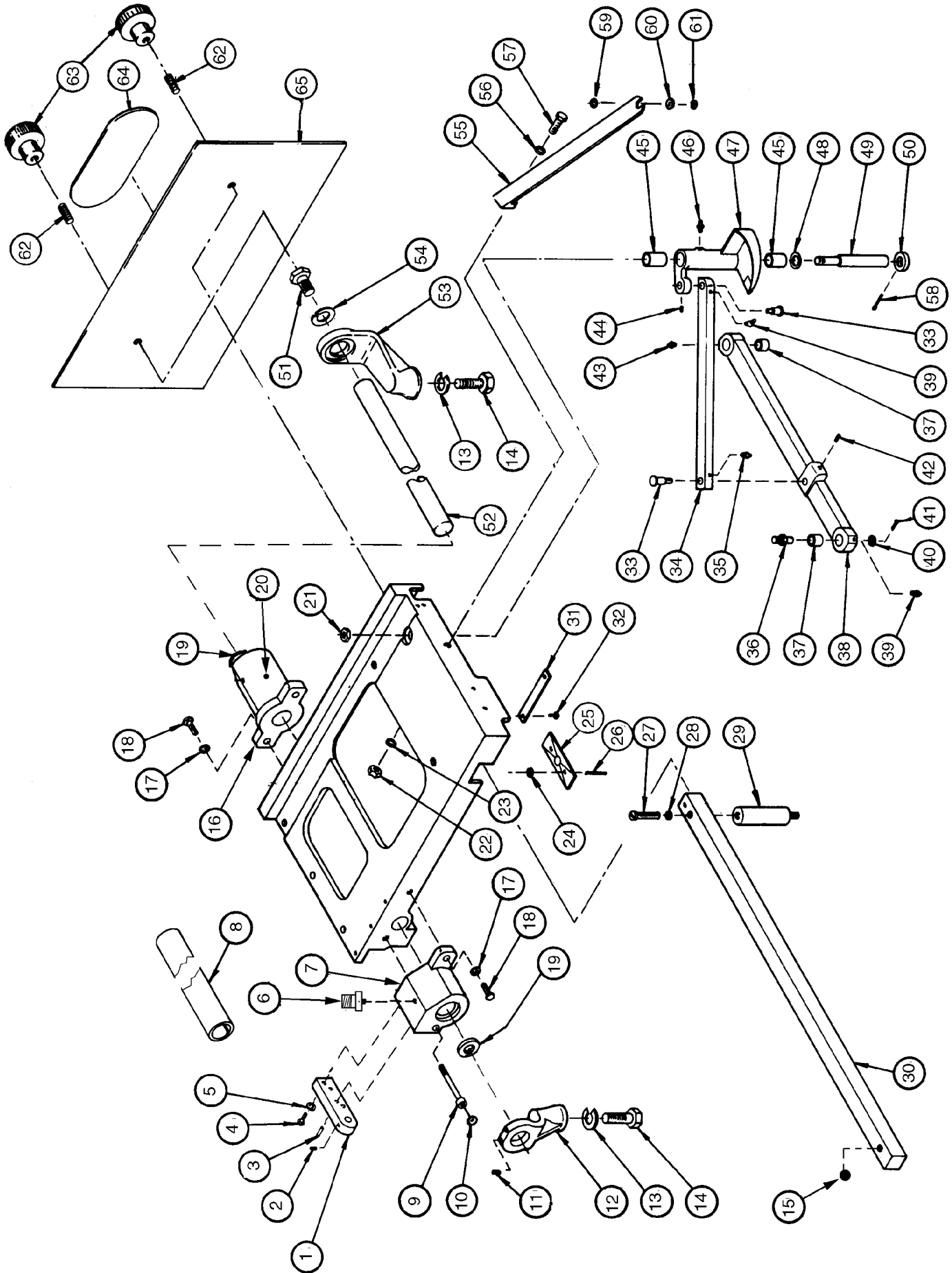


Frame and Motor Assembly

Item #	Description	Part Number
		180-D & GS
1	Screw	2175-03330
2	Cover plate	3175-00006
3	Knob	2275-00005
4	Foot assembly (items 5,6 and 7)	4675-00039
5	Foot cover	A-00014
6	Rubber foot	04700-2
7	Screw	2175-03362
8	Frame	3775-00329
9	Taper pin	2275-00164
10	Bevel gear with pin	2A-03001-B
11	Shim	09175-06
	Shim	09175-12
	Shim	09175-18
	Shim	09175-30
12	Bushing	3275-00184
13	Bearing assembly	4675-00228
14	Setscrew	2175-07165
15	Back gear shaft	3375-00362
16	Back gear (fiber)	A-03001-5L
17	Thrust washer	3275-00066
18	Bushing	3275-00065
19	Back gear and pulley assembly	4675-00229
20	Setscrew	2175-07165
21	Collar	2375-00046
22	Grease fitting	10242
23	Cover	3775-00050
24	Back gear cover guard	3775-00041
25	Belt cover	3875-00005
26	Pin	2275-03162
27	Washer	2275-00401
28	Bolt	09454
29	Shaft	A-03001-5K
30	Key	09456
31	Washer	2275-03081
32	Nut	2175-00201
33	Belt	2375-00049
34	Bolt	2175-03357
35	Post	3375-00027
36	Screw	2175-03641
37	Capacitor	2675-00036
38	Cap for capacitor	2675-00002
39	Screw	2175-00176
40	Bracket	3275-00011
41	Twin nut	2175-00243
42	Washer	2275-03041

Item #	Description	Part Number
		180-D & GS
43	Cap nut	2175-00220
44	Lever	3575-00020
45	Pulley	4375-00011
46	Spacer	3375-01185
47	Ball bearing	09273
48	Bolt	2175-03076
49	Washer	2275-03061
50	Bolt	2175-03061
51	Motor 115/60/1	4175-00125
	Motor 220-240/50/1	4175-00126
	Motor 230/60/1	4175-00125
	Motor 208-230-380/50-60/3	360-25555
52	Adaptor	3775-00014
53	Screw	2175-00208
54	Screw	2175-03672
55	Screw	2175-00198
56	Motor pulley	2375-00050

Undertable Assembly

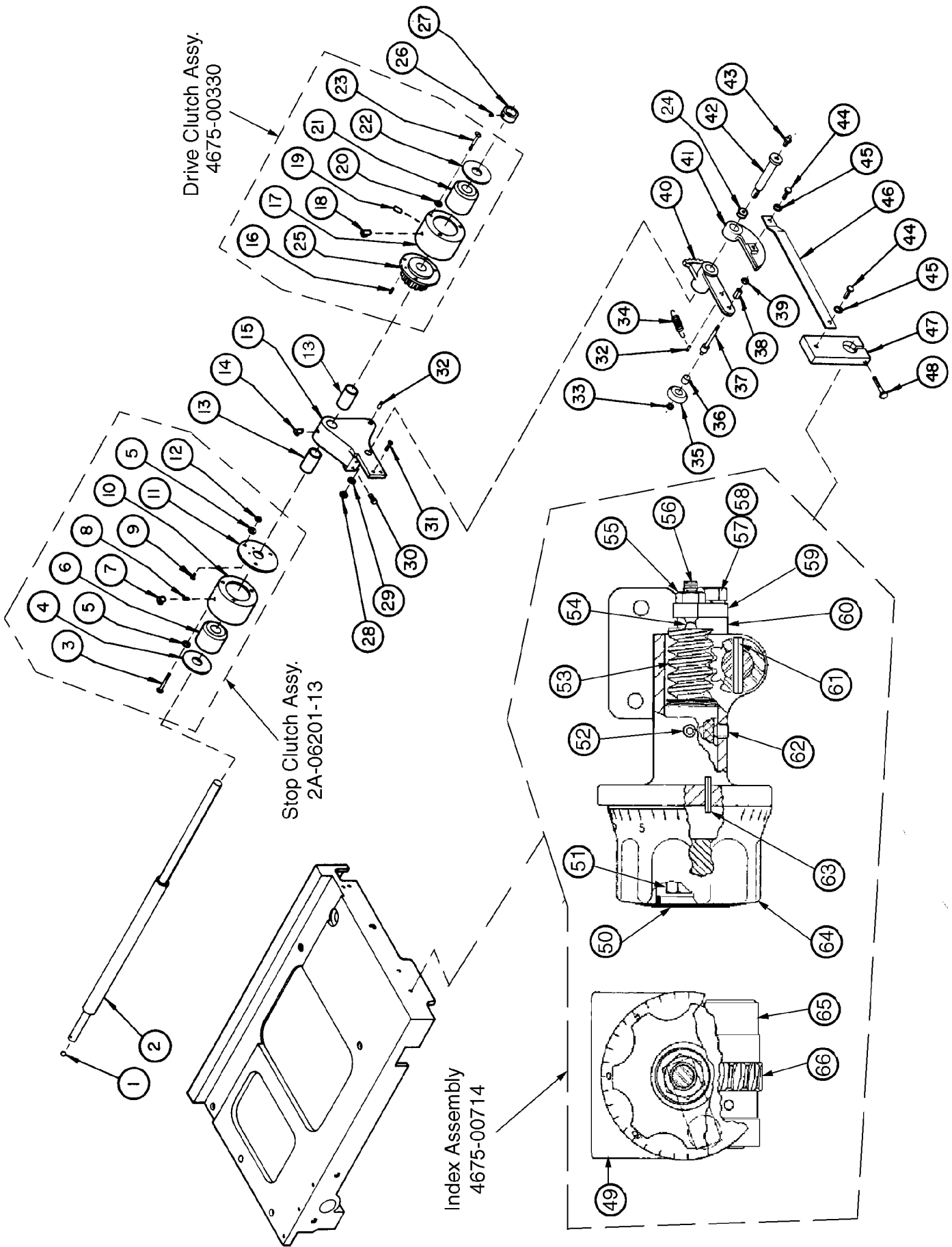


Undertable

Item #	Description	Part Number
		180-D & GS
1	Conveyor drive lever bracket	06203-4E
2	Setscrew	2175-00187
3	Groove pin	2275-03143
4	Screw	2175-03055
5	Washer	2275-03055
6	Lubricator	2275-00324
7	Front round rail bearing	3775-00358
8	Grease sealing tube	3375-00938
9	Socket head cap screw	2175-03769
10	Clear cap	2275-00070
11	Setscrew	2175-00187
12	Front round rail support	3775-00140
13	Lock washer	2275-03095
14	Hex bolt	2175-00242
15	Hole cover	3675-00231
16	Rear round rail bearing	3775-00355
17	Lock washer	2275-03065
18	Hex bolt	2175-03064
19	Wiper seal	2275-00323
20	Grease fitting	10239
21	Nut	2175-07081
22	Nut	2175-05051
23	Washer	2275-03055
24	Shim	2275-00227
25	Square rail slide block	06203-6U
26	Groove pin	2275-03140
27	Screw	2175-00188
28	Washer	2275-03055
29	Rail pillar	06203-9
30	Square rail	3575-00006
31	Square rail slide clip	260-25484
32	Screw	2175-03341
33	Connecting pin	03010-14
34	Cam link	260-25603
35	Grease fitting	2275-00132
36	Connecting rod pin	3375-00052
37	Bushing (for old style rod)	SP-03001-8B
38	Connecting rod assembly	4675-00025
39	Grease fitting	2275-00132
40	Washer	3275-00115
41	Cotter pin	2275-03442
42	Setscrew	2175-07152
43	Grease fitting	2275-00132
44	Setscrew	2175-00198
45	Bushing	06007-11D
46	Grease fitting	10242
47	Feed cam assembly	4375-00006

Item #	Description	Part Number
		180-D & GS
48	Shim .006	09297-06
	Shim .012	09297-12
	Shim .018	09297-18
49	Center pin	4375-00017
50	Collar	3375-00128
51	Bolt	2175-00211
52	Round rail	3375-00674
53	Rear round rail support	3775-00141
54	Lock washer	09752
55	Support bar	06200-1J
56	Washer	2275-03051
57	Bolt	2175-03055
58	Cotter pin	2275-03454
59	Nut	2175-05051
60	Shim	09463-60
61	Washer	2175-07051
62	Screw	2175-07157
63	Knob	2275-00005
64	Berkel logo	3175-00839
65	Guard	260-25432
*	Undertable replacement kit	4975-00173

Feed Screw Drive and Index Assembly



Feed Screw Drive and Index Assembly

Item #	Description	Part Number
		180-D & GS
1	Ball	2275-00158
2	Drive clutch shaft	3375-00591
*	Stop clutch assy.	2A-06201-13
3	Screw	2175-03349
4	Washer	3275-00114
5	Washer	2275-03045
6	Clutch	06201-13
7	Oil hole cover	2475-00003
8	Setscrew	2175-00198
9	Screw	2175-00349
10	Clutch housing	06201-13A
11	Washer	06201-13C
12	Nut	2175-07040
13	Bushing	06201-14
14	Oil hole cover	2475-00003
15	Drive shaft bearing assy.	4675-00037
*	Drive clutch assy.	4675-00330
16	Pin	2275-03532
17	Clutch housing	06201-13A
18	Oil hole cover	2475-00003
19	Setscrew	2175-00198
20	Washer	2275-03045
21	Clutch	06201-13
22	Washer	3275-00114
23	Screw	2175-03349
24	Washer	2275-03051
25	Gear and bushing assy.	4375-00105
26	Setscrew	2175-03642
27	Collar	06201-15B
28	Nut	2175-05071
29	Washer	09354
30	Screw	2175-03342
31	Screw	2175-03344
32	Pin	3375-00671
33	Retaining ring	10224-S
34	Spring	10233
35	Roller and bearing assy.	A-06201-16G
36	Needle bearing	10072
37	Feed lever roller kit	4975-00056
38	Block	06201-16B
39	Nut	2175-05061
40	Feed lever roller kit	4675-00411
41	Feed lever stop	3775-00059
42	Pin	06201-16H
43	Grease fitting	10239
44	Screw	2175-03062
45	Bushing	12235

Item #	Description	Part Number
		180-D & GS
46	Feed index	3375-00063
47	Crank	3575-00007
48	Bolt	2175-03066
49	Index knob bracket	3775-00350
50	Hole plug	2275-00414
51	Nut	2175-00121
52	Setscrew	2175-05151
53	Worm index assy.	4675-00336
54	Ball	2275-00158
55	Nut	2175-00214
56	Screw	2175-00197
57	Screw	2175-03063
58	Washer	2275-01065
59	Index shaft lever	260-25759
60	Spacer	3375-01058
61	Pin	2275-03145
62	Setscrew	2175-05151
63	Pin	2275-00065
64	Index knob	4575-00846
65	Worm wheel shaft	06201-17A
66	Index worm wheel	4675-00714

Table and Feed Assembly

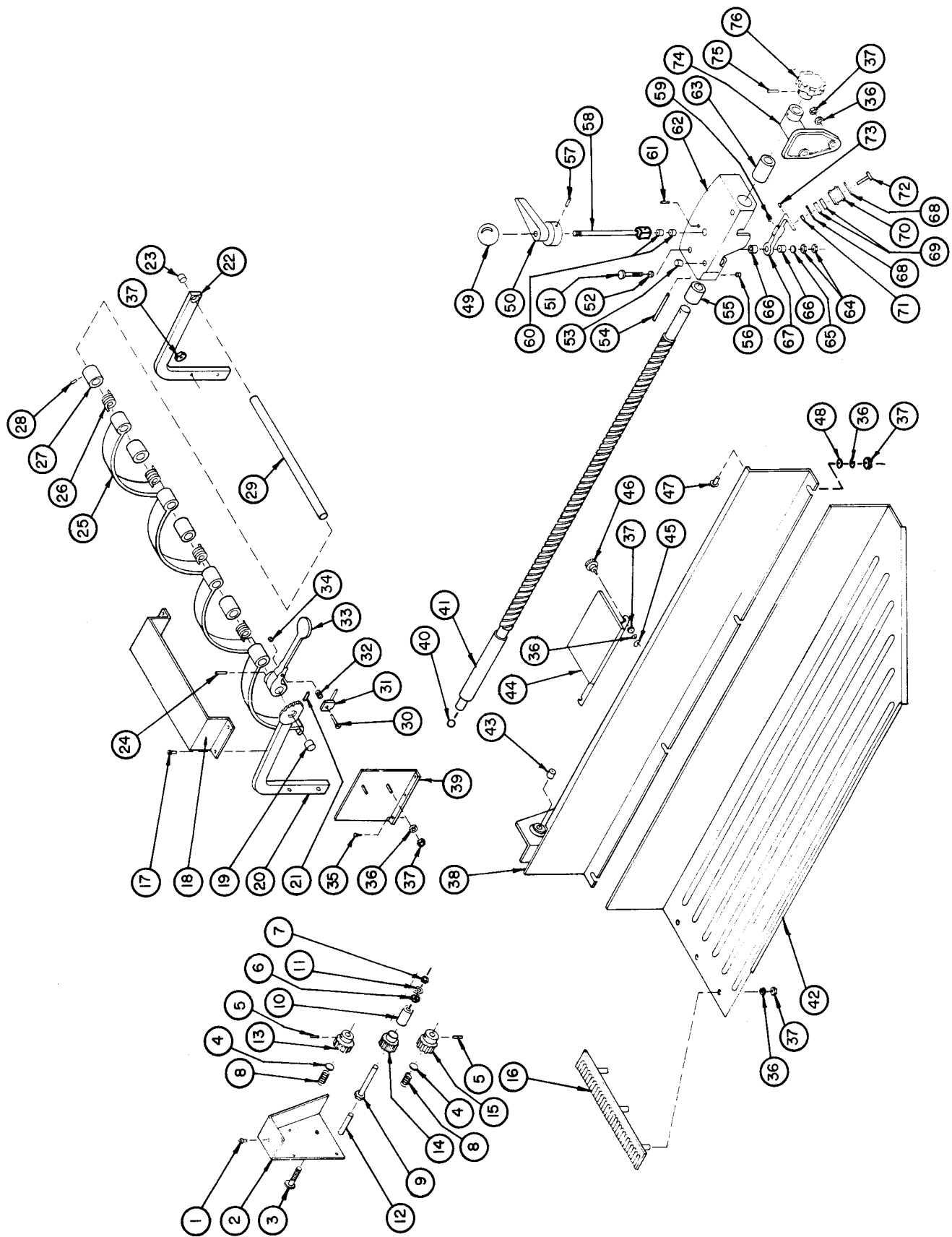
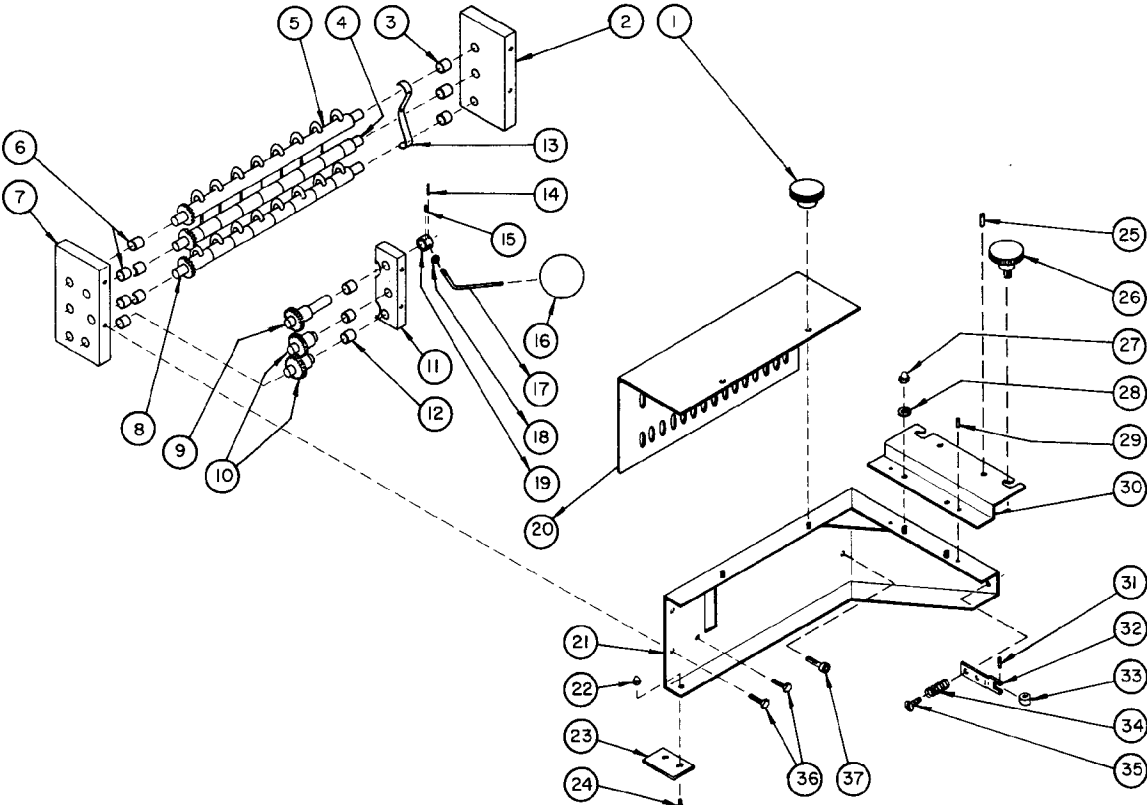


Table and Feed Assembly

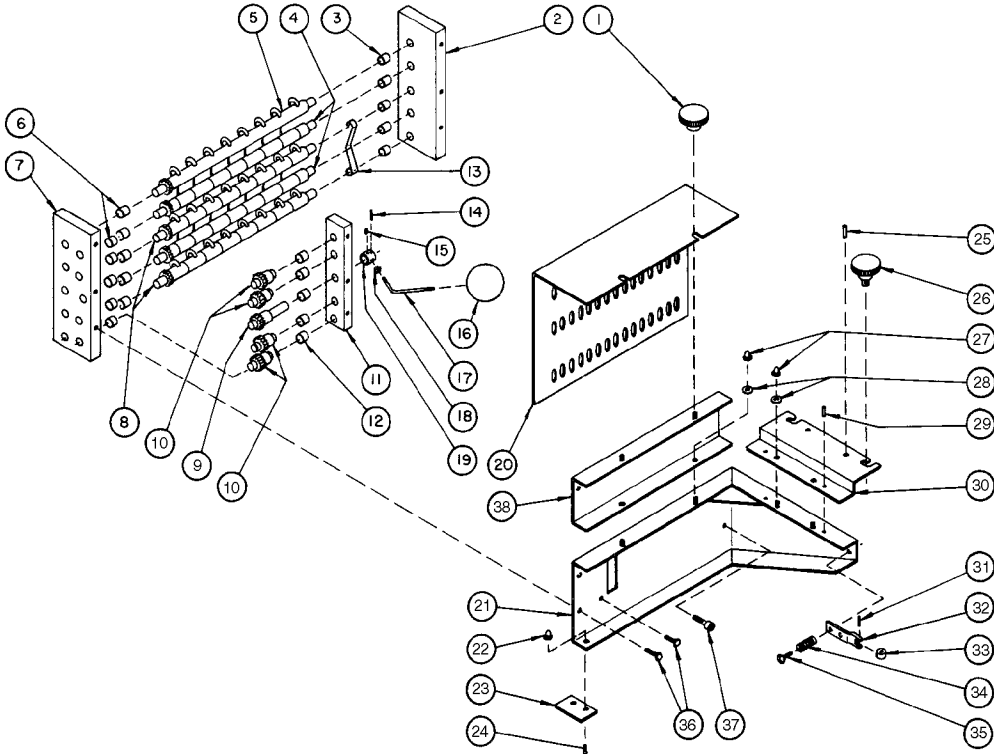
Item #	Description	Part Number
		180-D & GS
1	Grease fitting	10242
2	Feed gear cover	4575-00012
3	Screw	2175-00185
4	Plug washer	3475-00325
5	Pin	2275-00159
6	Washer (3 req.)	2275-03061
7	Nut	2175-07060
8	Spring	08535
9	Screw	2175-03067
10	Bushing	260-25883
11	Lockwasher	2275-03065
12	Spacer	06200-4A
13	Gear (26T)	06201-2
14	Gear (26T)	A-06201-2A
15	Gear (26T)	06201-2
16	Trough corrugated plate	A-06200-2H
*	Hold down finger assy., with side brackets and finger stop	4975-00073
17	Screw	2175-00189
18	Finger stop bracket	260-25799
19	Bushing	06202-1F
20	Side bracket (R.H.) (standard)	560-25927
	Side bracket (R.H.) (high)	4675-00134
21	Groove pin	2275-03143
22	Side bracket (L.H.) (standard)	A-06202-1J
	Side bracket (L.H.) (high)	NLA
23	Bushing	06202-1F
24	Taper pin	2275-00161
25	Hold down finger	3775-00026
26	Spring	08562
27	Spring collar	06202-3F
28	Setscrew	2175-00198
29	Finger bar	260-25800
30	Screw	2175-03356
31	Pawl assy.	4375-00007
32	Spring	08372
33	Handle	3775-00060
*	Handle assy., complete	4675-00033
34	Cap nut	2175-07052
35	Flat head screw	2175-03641
36	Lockwasher	2275-03055
37	Nut	2175-05051
38	Trough stiffener 24"	4575-00026
	Trough stiffener 30"	4575-00063
39	Front guard assy.	A-06200-1H
40	Ball	2275-00158

Item #	Description	Part Number
		180-D & GS
41	Feedscrew 24"	4575-00025
	Feedscrew 30"	NLA
42	Feed trough 24"	A-06200-1K
	Feed trough 30"	460-25194
43	Bushing	06100-3E
44	Clutch cover	460-25810
45	Washer	SP-09577
*	Gripper carriage complete	4675-00023
46	Knob	2275-00008
47	Lock pin	3875-00022
48	Washer	2175-07051
49	Knob	04821-1A
50	Release handle	3775-00056
51	Roller arm pivot pin	3375-00037
52	Washer	2275-03060
53	Insert	2275-00002
54	Stop screw	3375-00040
55	Bushing	2275-00431
56	Setscrew	2175-07140
57	Groove pin	10580
58	Release cam assy.	4675-00035
59	Spring	3275-00062
60	Bushing	10775
61	Groove pin	2275-03534
62	Gripper carriage	4675-00034
63	Bushing	2275-00431
64	Nut	2175-05071
65	Washer	2275-00404
66	Bushing	10775
67	Release arm	4675-00213
68	Retaining ring	2275-00201
69	Ball bearing	08640
70	Feed screw roller	2A-06201-11E
71	Washer	2275-03060
72	Screw	3375-00613
73	Setscrew	08663
74	Feed screw end bearing	3775-00042
75	Groove pin	10580
76	Knob	12322

Standard Gripper Assembly (4675-00083)



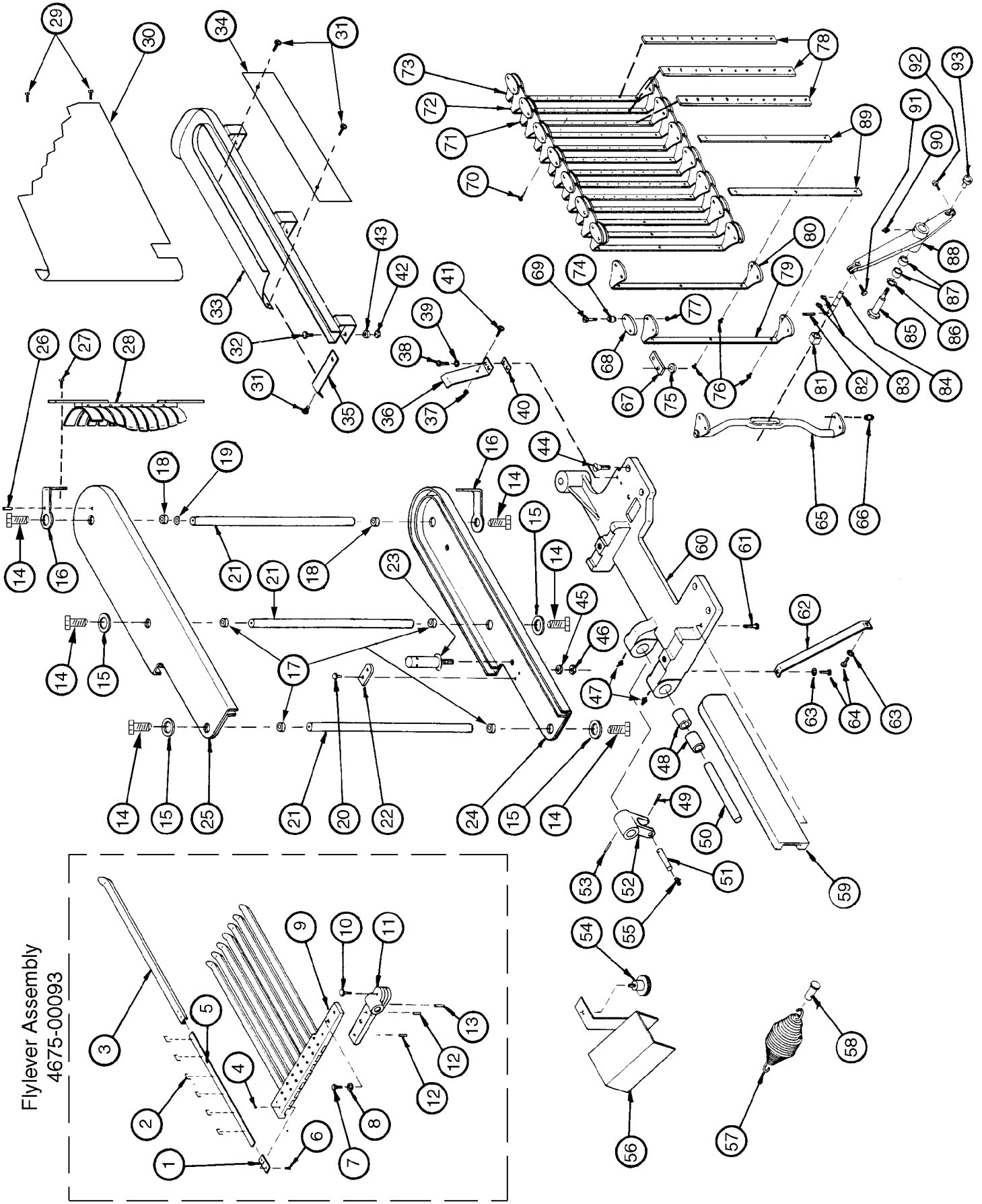
Special High Gripper Assembly (4675-00135)



Gripper Assemblies

Item #	Description	Part Number	
		Standard	Special High
	Gripper assembly	4675-00083	4675-00135
1	Knurled knob	2275-00005	2275-00005
2	Needle rod bearing block, right side	A-06204-9K	4575-00171
3	Bushing	2275-00015	2275-00015
4	Needle rod assy., center(s)	A-06204-4H	A-06204-4H
5	Needle rod assy., top	A-06204-4F	A-06204-4F
6	Bushing	2275-00015	2275-00015
7	Needle rod bearing block, left side	A-06204-3L	4575-00171
8	Needle rod assy., bottom	A-06204-4G	A-06204-4G
9	Countershaft assy., short	A-06204-9C	A-06204-9C
10	Countershaft assy., long	A-06204-9D	A-06204-9D
11	Countershaft bearing block	A-06204-9L	4575-00173
12	Bushing	2275-00015	2275-00015
13	Needle rod spring	06204-8	06204-8
14	Groove pin	2275-03145	2275-03145
*	Handle bracket assy.	A-06204-9E	A-06204-9E
15	Set screw	2175-00198	2175-00198
16	Knob	04821-1A	04821-1A
17	Handle stud	06204-6E	06204-6E
18	Nut	2175-00137	2175-00137
19	Handle bracket	06204-9E	06204-9E
20	Front plate	06204-9G	SP-06204-9G
21	Gripper back plate assy.	4575-00018	4575-00018
22	Cap nut	2175-07032	2175-07032
23	Hold down clip	06204-1E	06204-1E
24	Screw	2175-00193	2175-00193
25	Groove pin	2275-03140	2275-03140
26	Knurled knob with pin	2275-00006	2275-00006
27	Cap nut	2175-07052	2175-07052
28	Washer	2275-03051	2275-03051
29	Groove pin	2275-03140	2275-03140
30	Gripper bracket	3475-00021	3475-00021
*	Roller bracket assy.	4675-00337	4675-00337
31	Pin	2275-00179	2275-00179
32	Roller bracket	3375-00622	3375-00622
33	Roller	04725-4B	04725-4B
34	Spring	3275-00107	3275-00107
35	Screw	2175-00193	2175-00193
36	Screw	2175-03051	2175-03051
37	Screw	2175-03751	2175-03751
38	Upper support assy.	Not used	SPA-06204-9

Fly Fingers and Chain Conveyor

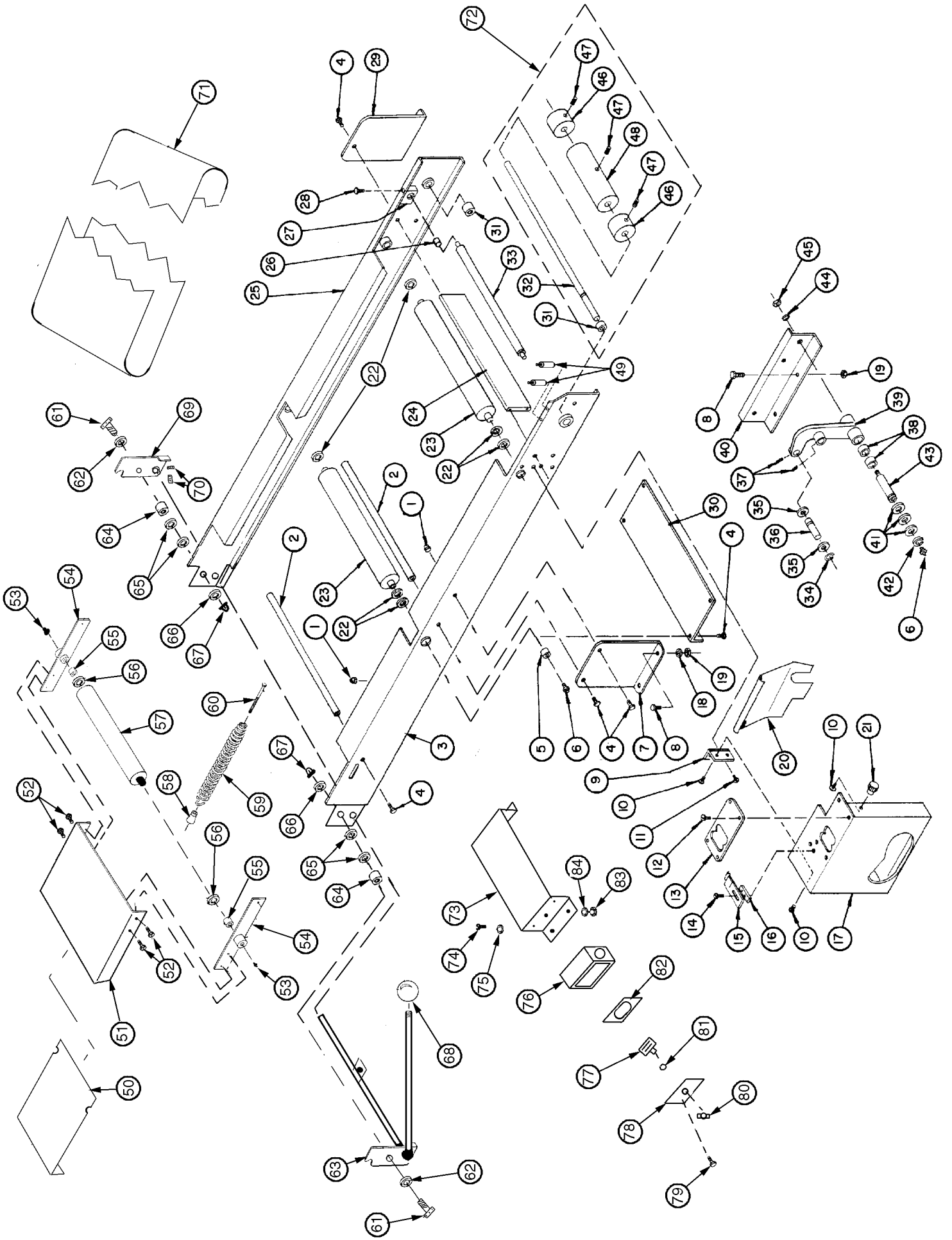


Flylever Assembly
4675-00093

Fly Fingers and Chain Conveyor

Item #	Description	Part Number	Item #	Description	Part Number
		180-D & GS			180-D & GS
1	Filling piece	08006-7D	49	Pin	2275-03452
2	Needle	08006-7C	50	Shaft	3375-00134
3	finger with pad and needles	A-08006-7A	51	Pin	06006-1C
4	Acorn nut	2175-07032	52	Crank	3775-00069
5	Needle pad with needles	A-08006-7B	53	Pin	2275-00162
6	Screw	10628-S	54	Knob	2275-00006
7	Bolt	2175-03064	55	Grease fitting	10243
8	Washer	2275-03060	56	Spring cover	4575-00047
9	Flylever	08006-7K	57	Spring	7SP-09462
10	Bolt	2175-03064	58	Spring anchor	06007-13D
11	Flylever kit	4975-09220	59	Lever cam	3375-00739
12	Pin	2275-03143	60	Base plate	3775-00017
13	Pin	2275-00162	61	Bolt	2175-03055
14	Bolt	2175-03072	62	Base plate support	06001-1A
15	Washer	2275-00253	63	Washer	2275-03055
16	Conveyor shield bracket	3475-00304	64	Bolt	2175-00175
17	Spacer (short)	3375-00617	65	Driving rod	2A-06004-6C
18	Spacer (long)	3375-00644	66	Bushing	06004-6D
19	Washer	2275-00253	67	Driving rod guide	06004-11A
20	Screw	2175-00224	68	Link	06004-8A
21	Spreader bar kit	4975-00055	69	Screw	10034-S
22	Flylever stop	06006-4A	70	Needle	10627-S
23	Locating pin	4675-00086	71	Short needle bar with holes	06004-1H
24	Lower track plate (set)	4675-00163	72	Long needle bar with holes	A-06004-2T
25	Upper track plate (set)	4675-00162	73	Half link needle bar	06004-1K
26	Pin	2275-03140	74	Roller	06004-10F
27	Screw	2175-03330	75	Washer	3275-00111
28	Conveyor shield assembly	A-06003-8K	76	Screw	10632-S
29	Screw	2175-03320	77	Nut	2175-00082
30	Conveyor safety shield	3475-00297	78	Short needle bar reinforcement	SP-06004-1L
31	Screw	10632-S	79	Short needle bar with 3 holes	06004-1J
32	Screw	2175-00224	80	Long needle bar with 3 holes	A-06004-2S
33	Track shield	4575-00065	81	Block	3675-00079
34	Conveyor shield	3875-00147	82	Pin	2275-03557
35	Track shield bracket	06005-4A	83	Snap ring	2275-00116
36	Slice support	06002-1E	84	Pin	3375-00348
37	Nut	2275-03045	85	Pin	06002-1F
38	Screw	2175-03352	86	Spring washer	3275-00075
39	Washer	2275-03050	87	Bushing	06002-3C
40	Shim	3275-00121	88	Driving lever	A-06002-F
41	Screw	2175-00203	89	bar reinforcement (3 holes)	SP-06004-1M
42	Nut	2175-00199	90	Grease fitting	10239
43	Washer	2275-03045	91	Screw	2175-00192
44	Screw	2175-03664	92	Screw	2175-00206
45	Washer	2275-03045	93	Lower stud and roller	A-06002-1D
46	Nut	2175-00199	*	<i>Conveyor Frame Complete</i>	4675-00341
47	Grease fitting	2275-00132	*	<i>Conveyor Chain Complete</i>	4675-00205
48	Bushing	06006-2C	*	<i>Chain and Frame Complete</i>	4675-00345

Conveyor

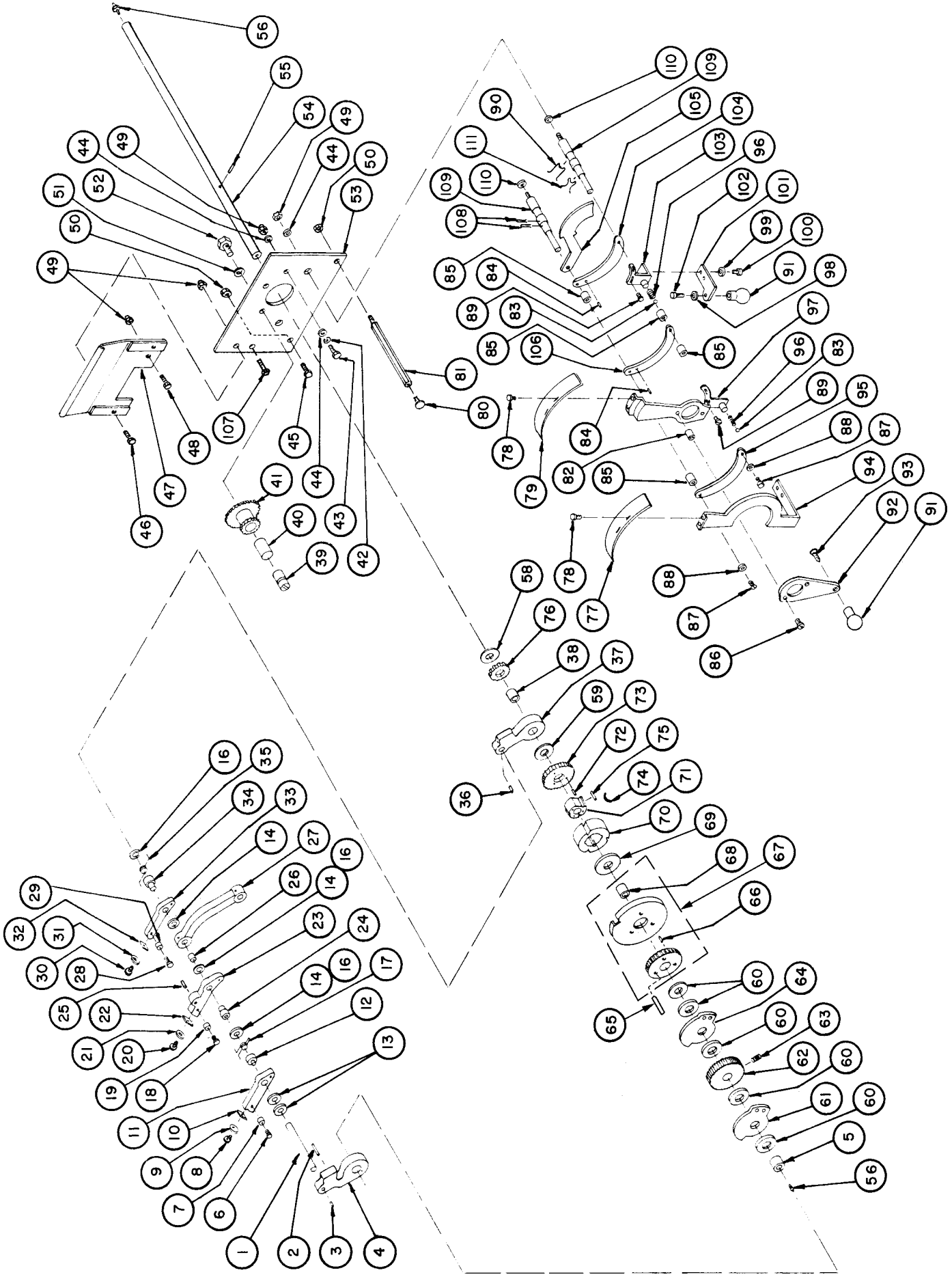


Conveyor

Item #	Description	Part Number
		180-GS
1	Cap nut	2275-03060
2	Spacer	06120-5
3	Side assy., front with bushing	4575-00188
4	Screw	2175-00200
5	Bushing	06101-1C
6	Grease fitting	10239
7	Bracket	3475-00795
8	Screw	09887
9	Hinge	4975-09262
10	Screw	08932
11	Screw	2175-00210
12	Screw	2175-03420
13	Instruction plate	06125-2J
14	Screw	2175-00189
15	Latch	06125-2C
16	Cover latch retainer	06125-2B
*	Cover assy., complete	4575-00191
17	Cover	3475-00247
18	Washer	2275-03051
19	Nut	2175-00214
20	Cover, grease tubes	3475-00249
21	Knob	06125-2E
22	Washer	2275-03060
23	Support roller assembly	4375-00092
24	Spacer	06120-5A
25	Side assy., rear with bushing	4575-00187
26	Bushing	06101-1C
27	Bearing block	4975-00048
28	Screw	2175-00189
29	Bracket	3475-00795
30	Belt tension spring bracket	00120-8G
31	Bushing	06100-3D
32	Drive roller shaft	3375-00400
33	Roller	4975-00048
34	Retaining ring	10224-S
35	Washer	09297-06
36	Crank pin	06140-9F
37	Setscrew	2175-00198
38	Bushing	06100-3D
39	Pivot lever assembly	4975-00104
40	Support plate	06120-2E
41	Shim .006	09297-06
	Shim .012	09297-12
	Shim .018	09297-18
	Shim .060	09297-60
42	Retaining ring	2275-00174

Item #	Description	Part Number
		180-GS
43	Pivot lever shaft	06140-9B
44	Lockwasher	2275-03085
45	Nut	09724
46	Drive roller end shaft	06121-1J
47	Setscrew	08650
48	Drive roller shaft center	06121-1K
49	Grease tube	3375-01181
50	Scrap tray	3475-00251
51	Conveyor end tray	3475-00248
52	Screw	2175-00191
53	Grease fitting	10242
54	Roller bearing bracket	2A-06162-7C
55	Bushing	06100-3E
56	Shim	2275-03080
57	End roller	4375-00093
58	Spring tension nut	07320-4F
59	Spring	08595
60	Bolt	2175-00194
61	Bolt	2175-03072
62	Washer	2275-03071
63	Belt tension arm & bracket	4575-00186
64	Spacer	3375-00548
65	Washer	2275-03081
66	Washer	2275-03071
67	Cap nut	2175-07072
68	Ball	2275-00042
69	Belt tension bracket	4575-00183
70	Setscrew	2175-07162
71	Conveyor belt	2375-00033
72	Drive roller assembly	4675-00262
73	Switch bracket	3475-00187
74	Bolt	2175-03051
75	Washer	2275-03050
76	Switch box	2675-00217
77	Switch	2675-00045
78	Switch plate cover	3475-00258
79	Screw	2175-03422
80	On / Off plate	07325-2F
81	Locking ring	2675-00094
82	Gasket	2675-00093
83	Nut	2175-07050
84	Lockwasher	2275-03055
N/S	Cord assembly	2675-00013
N/S	Straight connector	2675-00652
N/S	Cord clamp	2275-00149
N/S	Product scoop	3475-00993

Group and Shingle Assembly

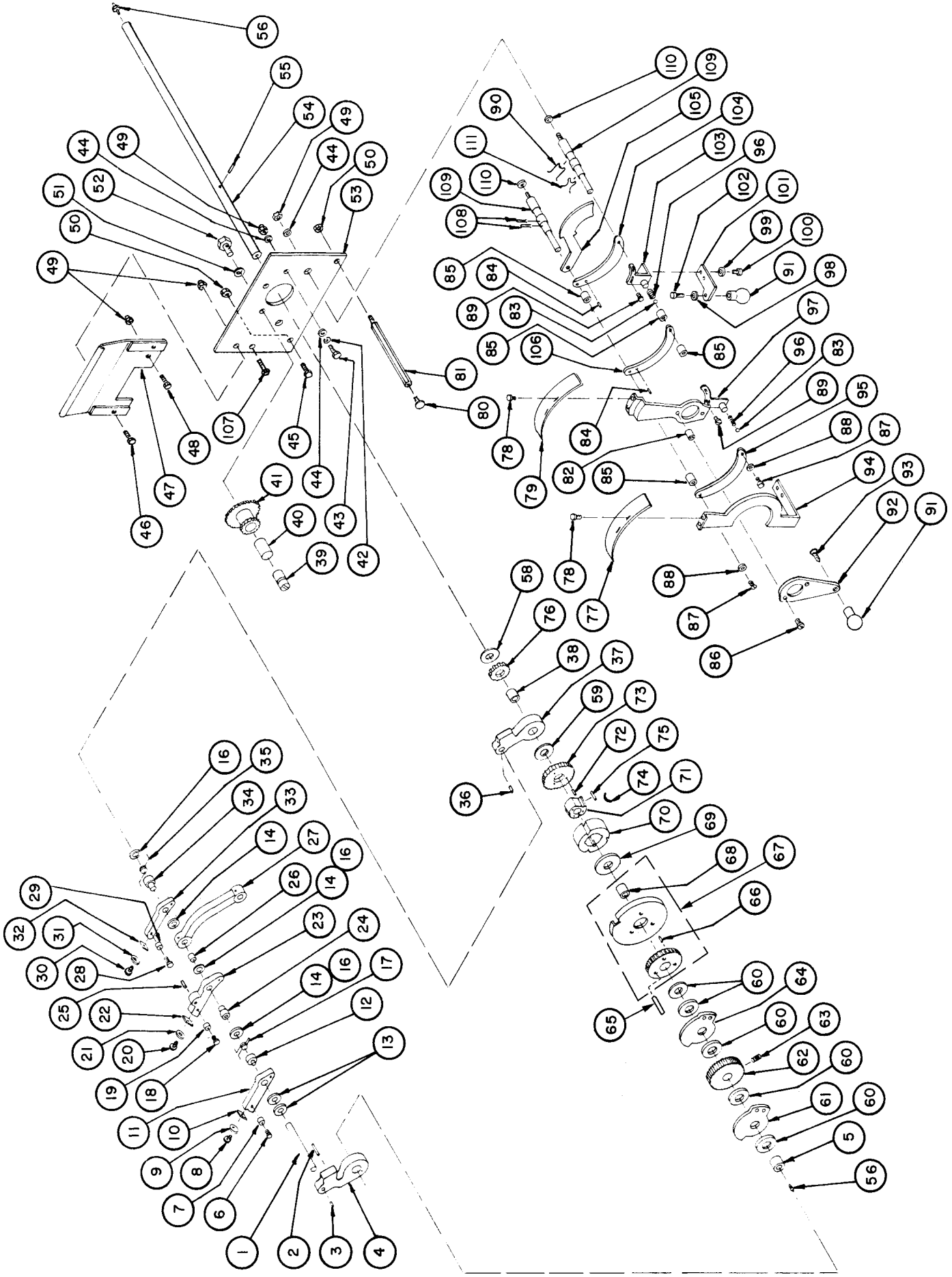


Group and Shingle Assembly

Item #	Description	Part Number
		180-GS
	Complete Assembly	4975-00132
1	Pawl shaft	06124-1
*	Pawl lever assy., front	2A-06123-B
2	Roll pin	2275-03501
3	Setscrew	2175-00198
4	Pawl lever, front	2A-06123-B
5	Bushing	06100-3D
*	Pawl assy., shingling	2A-06124-A
6	Screw	3375-00623
7	Roller	03010-6G
8	Screw	2175-03732
9	Lockwasher	2275-03035
10	Pawl blade	03010-6BA
11	Pawl	2A-06124-A
12	Bushing	06124-2A
13	Shim .006	2275-00401
14	Shim .012	2275-00402
15	Shim .018	2275-00403
16	Shim .030	2275-00404
17	Double torsion spring	10157
*	Pawl assy., timing	2A-06124-B
18	Screw	3375-00623
19	Roller	03010-6G
20	Screw	2175-03732
21	Lockwasher	2275-03035
22	Pawl blade	03010-6BA
23	Pawl	2A-06124-B
24	Bushing	06124-2A
25	Roll pin	2275-03532
*	Connecting link assy.	A-06124-D
26	Bushing	06140-9H
27	Connecting link	A-06124-D
*	Pawl assy., driving	2A-06124-2
28	Screw	3375-00623
29	Roller	03010-6G
30	Screw	2175-03732
31	Lockwasher	2275-03035
32	Pawl blade	03010-6BA
33	Pawl	2A-06124-A
34	Bushing	06124-2
35	Torsion spring	10156
*	Pawl lever assy., rear	2A-06123-A
36	Setscrew	2275-00198
37	Pawl lever, rear	06123-A
38	Bushing	06100-3D
39	Countershaft	06123-14E
*	Countershaft gear assy.	A-06123-14F
40	Bushing	06100-3D

Item #	Description	Part Number
		180-GS
41	Countershaft gear	A-06123-14F
42	Nut	2175-07051
43	Screw	2175-03754
44	Washer	2275-03051
45	Screw	2175-03754
46	Screw	2175-00180
47	Cover side plate	A-06123-1E
48	Screw	2175-00180
49	Cap nut	2175-00205
50	Nut	2275-03051
51	Washer	2275-03061
52	Countershaft screw	06123-14C
53	Plate	3575-00169
54	Drive shaft	3375-00400
55	Pin	3375-00401
56	Grease fitting	10242
57	Shim .003	00949-03
58	Shim .006	00949-06
59	Shim .012 (2 required)	00949-06
60	Shim .018 (3 required)	00949-06
61	Pawl cam	06123-8
62	Shingling pawl wheel (96T)	06123-7
63	Setscrew	08650
64	Pawl cam	06123-8
65	Poll pin	2275-03532
66	Pin	2275-01125
67	Pawl-cam assy., 4 to 12	A-06123-4B
	Pawl-cam assy., 1 to 4	2SPA-06123-4
	Pawl-cam assy., 2 to 6	SPA-06123-4B
	Pawl-cam assy., 4 to 16	A-06123-4
68	Bushing	SP-03001-8B
69	Washer	3275-00079
*	Drive gear clutch assy.	4375-00071
70	Pawl drive clutch wheel	06123-3B
71	Clutch spider	4375-00071
72	Spirol pin	2275-03633
73	Drive clutch gear (39T)	4375-00071
74	Clutch roller spring	06123-3D
75	Clutch roller	2275-00184
76	Driving gear	3375-00402
77	Group indicating plate 4 to 12	06123-6D
	Group indicating plate 1 to 4	SP-06123-6C
	Group indicating plate 2 to 6	SP-06123-6C
	Group indicating plate 4 to 6	3475-00048
78	Screw	2175-00198
79	Shingling indicating plate	06123-9A
*	Cover spacer screw assy.	A-06125-2K

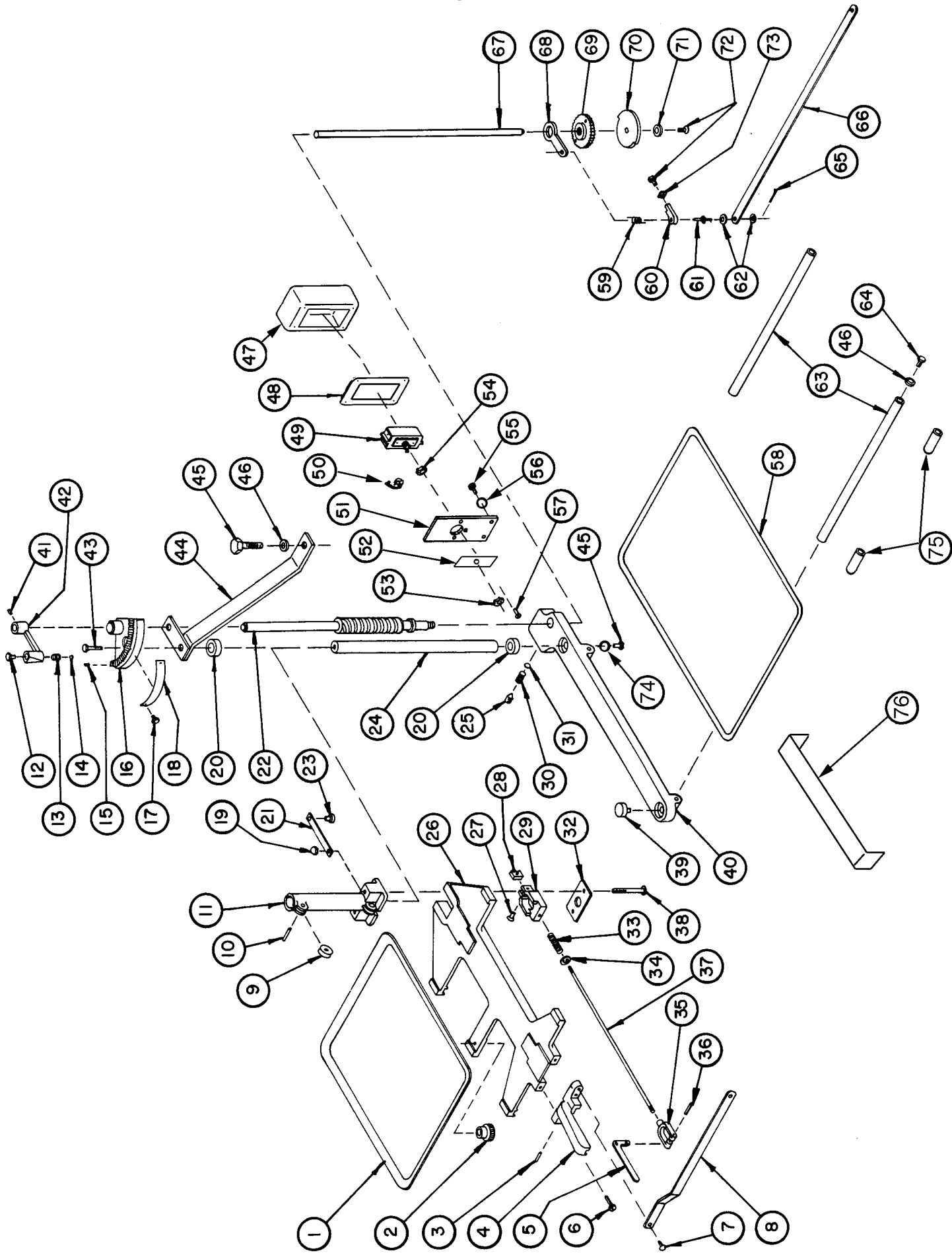
Group and Shingle Assembly



Group and Shingle Assembly

Item #	Description	Part Number
		180-GS
80	Rubber bumper	07325-8F
81	Cover spacer screw	A-06125-2K
82	Handle bracket spacer	06123-9C
83	Ball	2275-00158
84	Pin	2275-03140
85	Spacer	06123-12
86	Screw	2175-00225
87	Screw	2175-03331
88	Washer	2275-03041
89	Screw	2175-00186
90	Driving clutch friction spring	06123-11A
91	Handle	2275-00105
92	Plate handle bracket	3475-00243
93	Self tapping screw	2175-03651
94	Group indicating plate bracket	06123-6E
95	Shingling index plate	06123-13B
96	Spring	10022
97	Shingling cam adjustment bracket assy.	A-06123-9
98	Lockwasher	2275-03055
99	Lockwasher	2275-03045
100	Screw	2175-00189
101	Group indicating plate handle bracket	06123-6F
102	Screw	10994
103	Timing cam adjusting bracket assy.	A-06123-6
104	Cam adjusting plate handle bracket	A-06123-13
105	Pawl throw out cam	06123-5
106	Group index plate (standard)	06123-13C
107	Screw	2175-00200
108	Cotter pin	2275-03441
109	Index plate pin	06123-15
110	Washer	2275-00304
111	Timing pawl wheel friction spring	06123-11

Drop Table

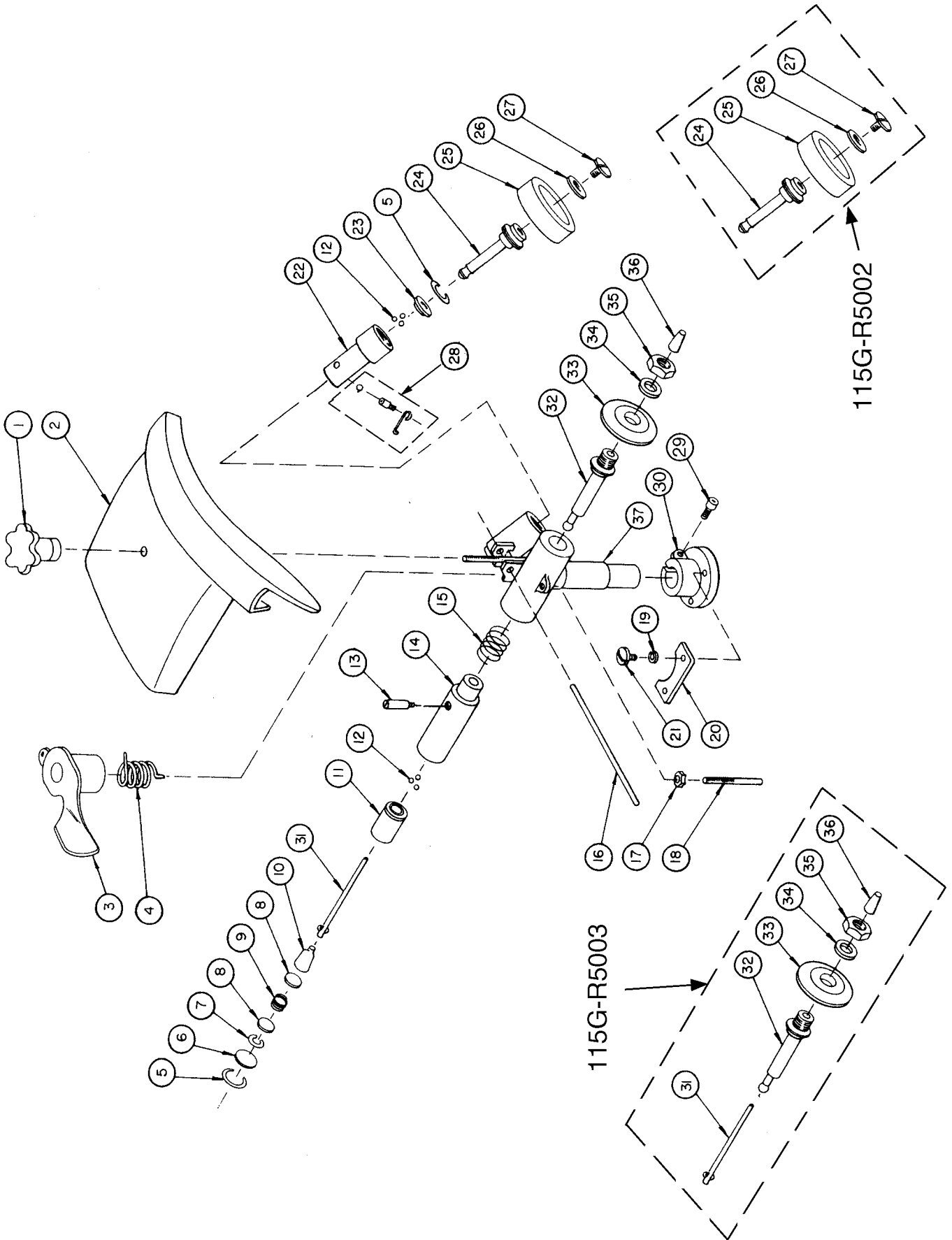


Drop Table Assembly

Item #	Description	Part Number
		180-D
1	Receiving tray	4575-00603
2	Knurled knob	2275-00007
3	Groove pin	2275-03142
4	Tray handle	3775-00030
5	Feed nut lever	3475-00070
6	Screw	2175-03353
7	Drive stud	2175-00058
8	Connecting link	260-25512
9	Guide sleeve roller	06009-2
10	Groove pin	2275-00180
11	Tray guide sleeve	3775-00032
12	Screw	2175-03462
13	Spring	10022
14	Ball	2275-00158
15	Groove pin	2275-03122
16	Index quadrant	3775-00073
17	Screw	2175-03320
18	Quadrant number plate	06010-1A
19	Cap nut	2175-07053
20	Felt washer	09466
21	Switch shut-off bar	3475-00067
22	Tray feed screw assy.	4575-00048
23	Shut-off bar pad	3875-00023
24	Support upright bar	3375-00045
25	Screw	2175-07175
26	Receiving tray support	3775-00033
27	Screw	2175-03344
28	Tray feed nut	06009-4
29	Feed nut guide block	3775-00028
30	Spring	09257
31	Friction plug	06010-3A
32	Guide sleeve bottom plate	3475-00066
33	Spring	09465
34	Washer	2275-03050
35	Feed nut pull rod clevis	3775-00029
36	Groove pin	2275-03142
37	Tray feed nut pull rod	3375-00109
38	Flat head screw	2175-00291
39	Rubber tray bumper	06008-6D
40	Support bar	3775-00031

Item #	Description	Part Number
		180-D
41	Setscrew	2175-00198
42	Index quadrant lever	3775-00075
43	Cap screw	2175-03073
44	Brace support assy.	4575-00043
45	Cap screw	3375-00333
46	Washer	2275-03070
47	Switch box	2675-00217
48	Gasket	2675-00093
49	Switch	2675-00045
50	90 degree connector	2675-00047
51	Switch plate	3475-00713
52	On / Off plate	07325-2F
53	Nut	2675-00094
54	Lock ring	2675-00094
55	Screw	2175-03141
56	Lockwasher	2275-03047
57	Screw	2175-03422
58	Scrap plate assy.	4575-00308
59	Torsion spring	09464
60	Feed screw pawl	3775-00074
61	Pawl pin	3375-00135
62	Washer	08499-18
63	Support rod	3375-00045
64	Cap screw	2175-03077
65	Cotter pin	2275-03430
66	Connecting lever	06010-8
67	Pawl wheel cam spindle	06010-4A
68	Pawl lever	3775-00076
69	Pawl wheel	3375-00137
70	Pawl wheel cam	06010-4
71	Washer	2275-03041
72	Screw	2175-03732
73	Pawl blade	3475-00446
74	Lockwasher	2275-03077
75	Rubber isolator	2275-00210
76	Support strap	3475-00372
N/S	Cord assy., 4 wire	2675-00013

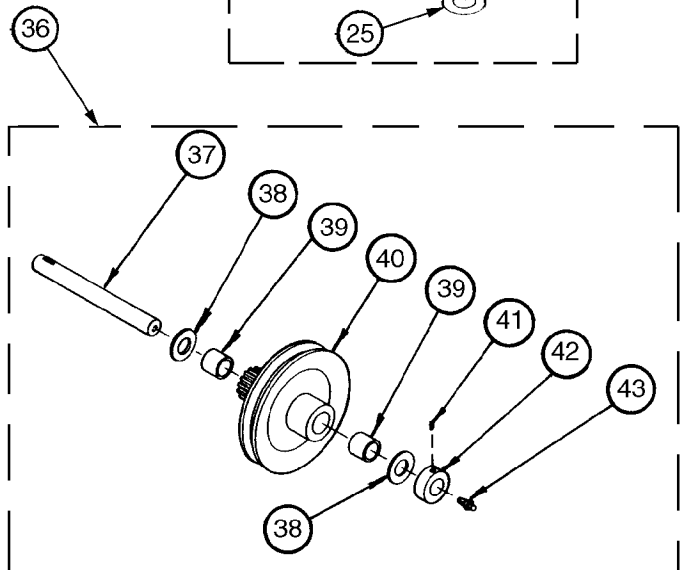
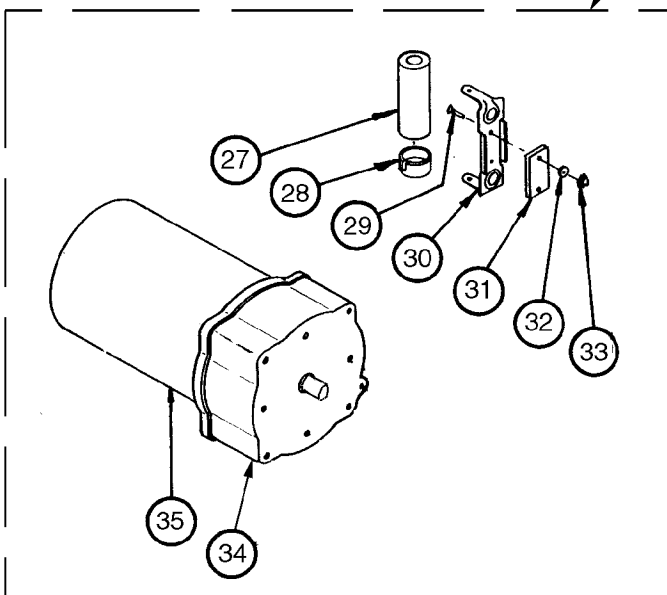
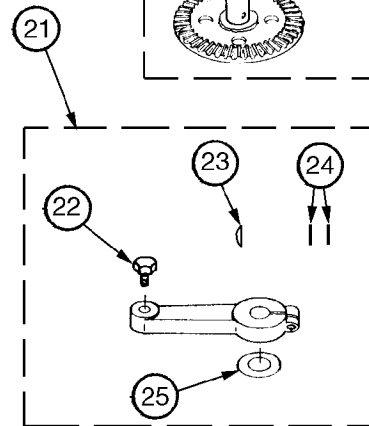
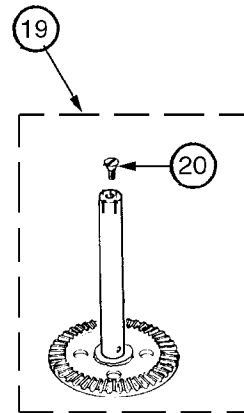
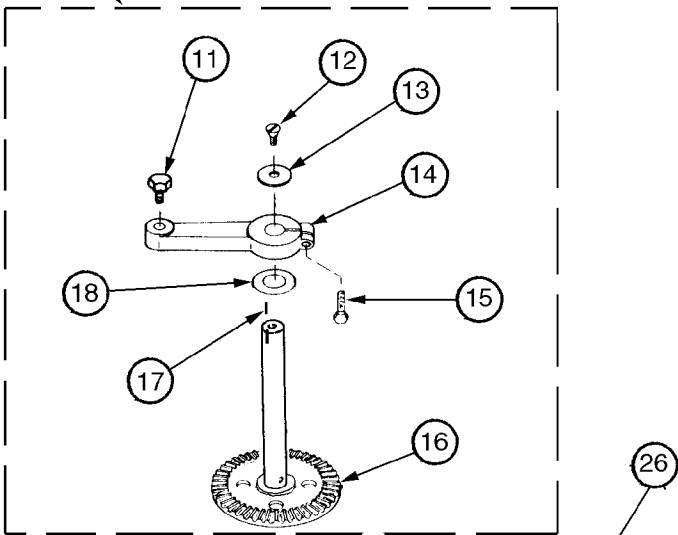
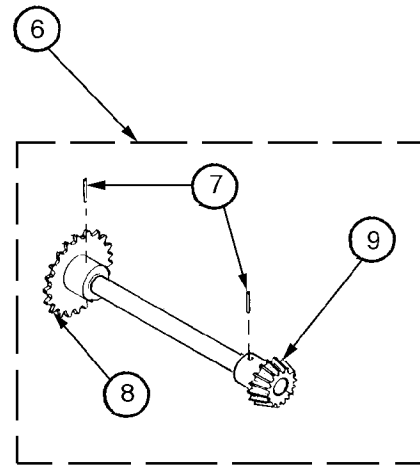
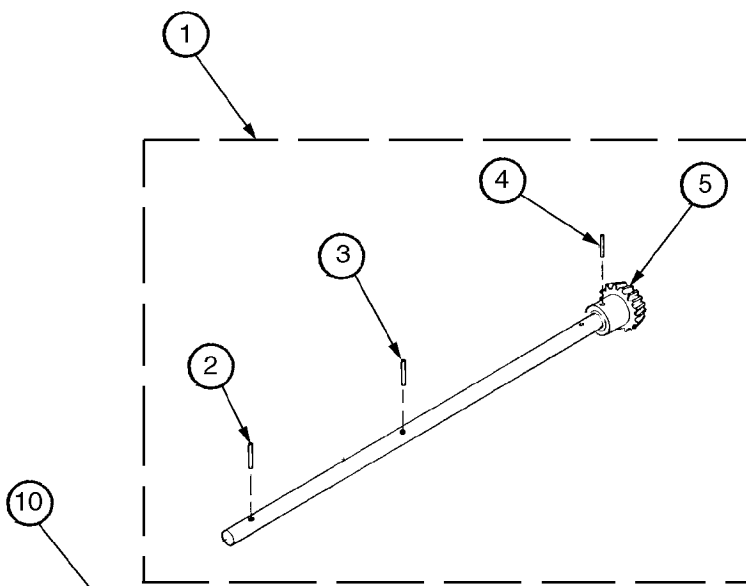
Sharpener



Sharpener

Item #	Description	Part Number
		180-D & GS
	Sharpener assembly w/out cover	4675-00161
1	Knob	114G-R5003
2	Cover	3775-00136
3	Handle assembly	115G-05004
4	Spring	VV-00136
5	Spring washer	VV-00140
6	Close plate	3201-06147
7	Spring washer	VV-00041
8	Close plate	R-00036
9	Spring	VV-00043
10	Stop spring	VV-00044
11	Spring box	08015
12	Ball (15 per bearing)	2375-00150
13	Screw	115-05019
14	Inside stone bearing	115-05010
15	Spring	VV-00035
16	Center pin	P-00165
17	Nut	2101-07048
18	Threaded pin	S-00816
19	Lockwasher	2275-00441
20	Plate	115-05021
21	Screw	2175-00397
22	Outside stone bearing	115-05005
23	Collar	115-05022
*	Outside stone and spindle assy.	115G-05002
24	Outside stone spindle	115-05006
25	Outside stone	B9-00612
26	Washer	R-00059
27	Screw	S-00879
28	Screw and hook assembly	115G-R5006
29	Screw	S-00943
30	Sharpener base	115-05001
*	Inside stone assembly	115G-R5003
31	Push button pin	B9-00594
32	Inside stone spindle	115-05011
33	Inside stone (standard)	B9-00600
	Inside stone (special)	3675-00157
34	Washer	3201-06145
35	Nut	M-00009
36	Push button pin	08010
37	Sharpener frame assembly	3701-03315
	* Assembly or Sub-Assembly	

Assemblies or Kits



Assemblies or Kits

Item #	Description	Part Number
1	Fly wheel shaft and Gear assy.	4975-00089
2	Taper pin	2275-00165
3	Taper pin	2275-00163
4	Taper pin	2275-00164
5	Bevel gear with taper pin	2A-03001-B
6	Sprocket and Shaft assy.	4675-00020
7	Taper pin	2275-00164
8	Sprocket with taper pin	4675-00412
9	Bevel gear with taper pin	A-03001-B
10	Crown gear and crank assy.	4975-00082
11	Shoulder bolt (left hand thread)	3375-00619
12	Screw	2175-03653
13	Washer	3275-00109
14	Crank with keyway	3775-00292
15	Bolt	2175-03076
16	Crown gear for square key	4675-00429
17	Key	2275-04841
18	Nylon seal washer	3475-00373
19	Crown gear for 2 round pin keys	4975-00082
20	Screw	2175-03653
21	Crank for square or round keys	4675-00338
22	Shoulder bolt (left hand thread)	3375-00619
23	Key	2275-04841
24	Round pin key	2275-03160
25	Nylon seal washer	3475-00373
26	Motor kit 115/230V	4175-00013
27	Capacitor	2675-00036
28	Cap for capacitor	2675-00002
29	Screw	2175-00176
30	Capacitor bracket	3275-00011
31	Twin nut	2175-00243
32	Washer	2275-03041
33	Cap nut	2175-00220
34	Motor mount bracket	3775-00014
35	Motor 115/230V	4175-00125
36	Back gear pulley kit	4975-00080
37	Pulley shaft	3375-00362
38	Thrust washer	3275-00066
39	Bushing	3275-00065
40	Pulley and bushing assy.	4675-00229
41	Setscrew	2175-07165
42	Collar	2375-00046
43	Grease fitting	2275-00132